



**معاونت مهندسی و کیفیت**

**جزوه آموزشی**

**نقشه های الکتریکی خودرو**

**هایما S7 TC**

کلید مدرک ۱۶۲۷۵

تابستان ۱۳۹۵

SYSTEM CONTENTS

Ground Point . . . . .	Y
Electric Harness Schematic . . . . .	W-1 W-2
Charging System & Starting System . . . . .	A-1
Start-stop Start-up System . . . . .	A-2
Engine Control System(1.8T) . . . . .	B-3a B-3b B-3c B-3d
Transmission Control System(1.8T-6AT) . . . . .	B-4a B-4b B-4c
Fuel Pump Control System . . . . .	B-7
Fan control system /Vacuum pump (1.8T) . . . . .	B-8a
Combination Instrument (1.8T) . . . . .	C-1a C-1b C-1c C-1d C-1e C-1f
Windshield Wiper And Washer . . . . .	D-1a D-1c
Rear-window Wiper And Washer . . . . .	D-1b
Headlamp . . . . .	E-1
Headlamp Beam Level Adjusting System . . . . .	E-2
Front/Rear Fog Lamp . . . . .	E-5
License Plate Lamp/Position Lamp/Tail Lamp/Daytime Running Lamp . . . . .	E-7
Turn Indicator And Hazard Warning Lamp . . . . .	F-1
Reversing Lamp . . . . .	F-2
Brake Lamp . . . . .	F-3
Horn . . . . .	F-4
Air Conditioning System . . . . .	G-1a G-1b





Compressor Control System . . . . .	<b>G-2</b>
Reversing Radar System . . . . .	<b>H-1</b>
Rear Vision System . . . . .	<b>H-2</b>
360 ° imaging system (1.8T) . . . . .	<b>H-3</b>
Cigarette Lighter / Rear Defroster System . . . . .	<b>I-1</b>
Illumination Lamp . . . . .	<b>I-2a I-2b I-2c</b>
Interior Lamp/Reading Lamp/Trunk Lamp . . . . .	<b>I-3</b>
Sound System . . . . .	<b>J-1a J-1b</b>
Power Window System . . . . .	<b>K-1</b>
Remote And Central Door Lock System . . . . .	<b>K-2a K-2b K-2c K-2d</b>
Exterior Rearview Mirror Heater/Power Exterior Rearview Mirror . . . . .	<b>L</b>
Sunroof And Auto-dimming Interior Rearview Mirror . . . . .	<b>M</b>
Anti-lock Braking System . . . . .	<b>O-1a O-1b</b>
Smart Key System (PEPS) . . . . .	<b>N-1a N-1b N-1c</b>
Body Control System (BCM) . . . . .	<b>N-2a N-2b</b>
Power Supply System (Without smart key) . . . . .	<b>Z-1a Z-1b</b>
Power Supply System (With smart key) . . . . .	<b>Z-2a Z-2b</b>
Power Seat And Seat Heating . . . . .	<b>P</b>
Electric Power Steering System (EPS-II) . . . . .	<b>Q</b>
Air bag/Seat Belt Pretensioner System(1.8T) . . . . .	<b>S</b>

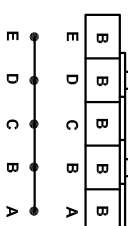
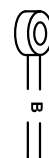

Anti-theft System(1.8T) . . . . .	<b>T</b>
Diagnosis Link Connector (DLC)(1.8T) . . . . .	<b>U-1</b>
Communication Wire (CAN)(1.8T) . . . . .	<b>U-2a U-2b</b>
Fuse Box Wiring Diagram(1.8T) . . . . .	<b>FB</b>
Common Connector List(1.8T) . . . . .	<b>X-1 X-2 X-3 X-4</b>
Junction Box Wiring Diagram(1.8T) . . . . .	<b>JB</b>

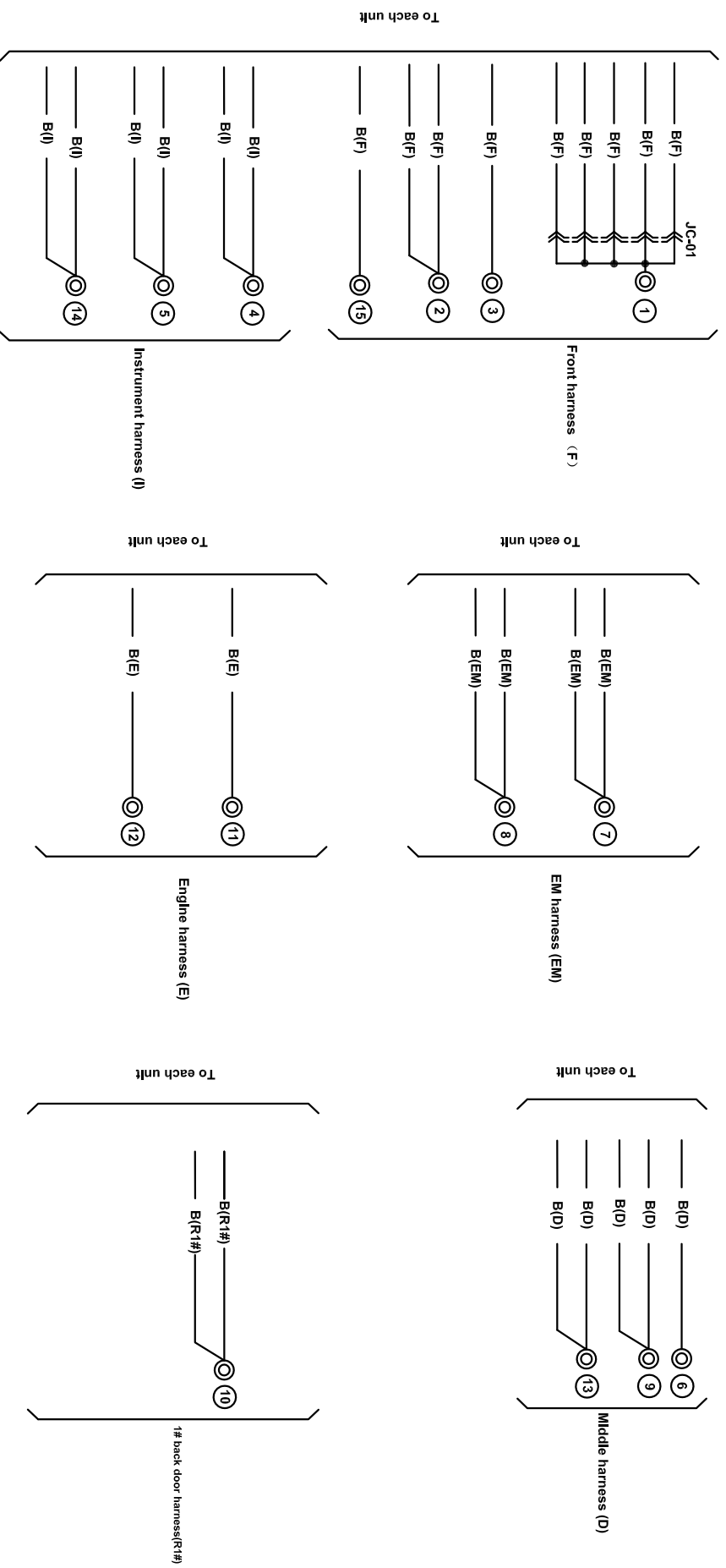
## General Wire Color Code

Color	Code	Color	Code
Black	B	Light Green	LG
Brown	BR	Orange	O
Dark blue	DL	Pink	P
Dark Green	DG	Red	R
Gray	GR	Sky Blue	SB
Green	G	Violet	V
Light blue	LB	White	W
Blue	L	Yellow	Y

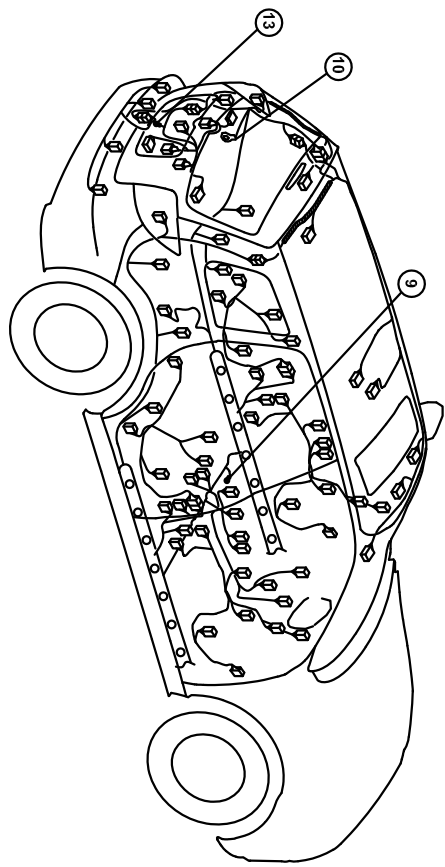
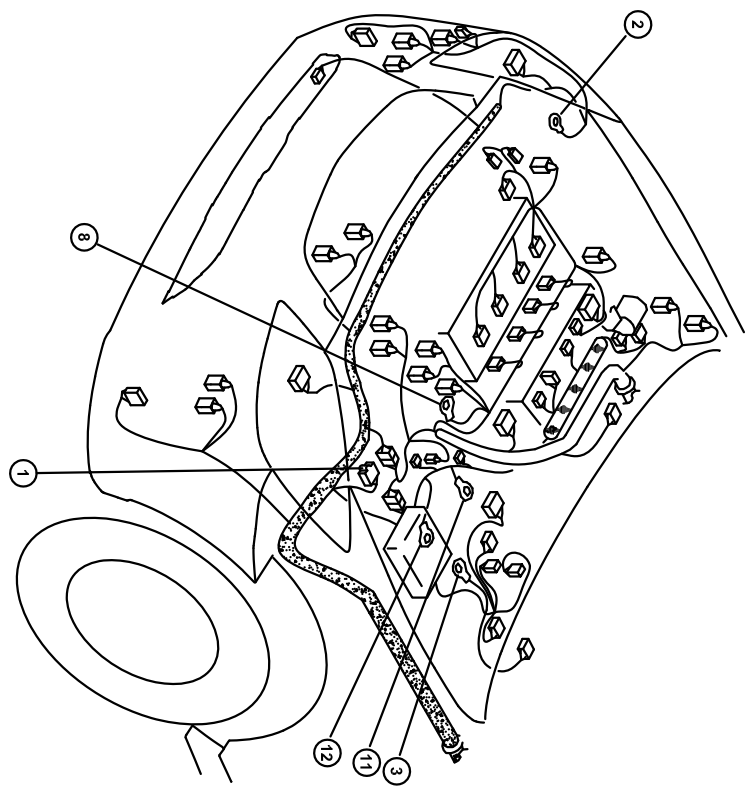
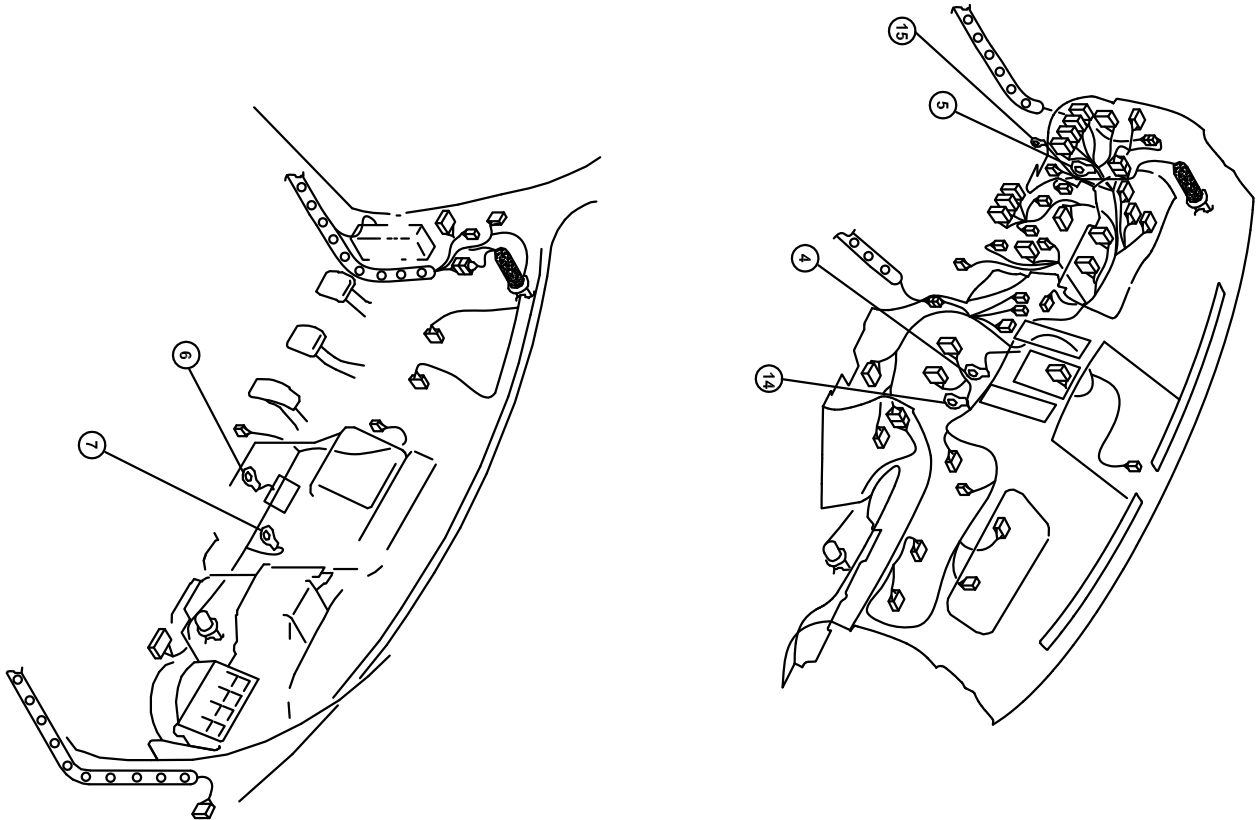
### Harness symbol

Name	Symbol	Name	Symbol
Front harness	F 	Grounding harness	EA
Engine harness	E 	Interior harness	IN
EM harness	EM	Reversing radar harness	RA
Middle harness	D 	2# Back door harness	R2#
Rear harness	R 	1# Back door harness	R1#
Front left door harness	DR1		
Front right door harness	DR2		
Rear left door harness	DR3		
Rear right door harness	DR4		
Instrument harness	I		

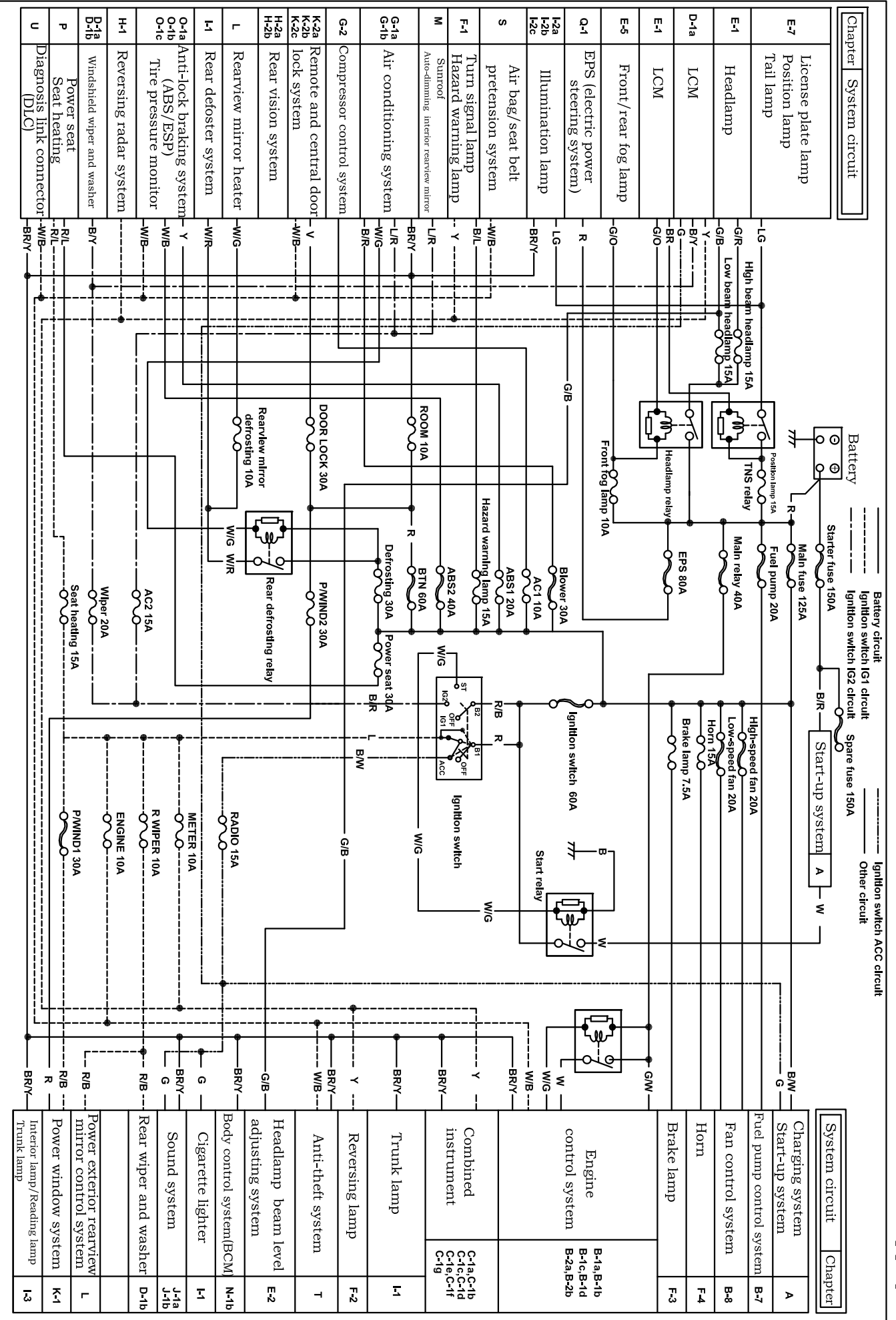
<p>1</p> <p>Jc-01 Concentrator (F)</p> 	<p>6</p> <p>3</p> <p>11</p> <p>12</p> <p>15</p>		<p>2</p> <p>4</p> <p>5</p> <p>8</p> <p>13</p> <p>9</p> <p>10</p> <p>7</p> <p>14</p>	
--	---	--	---	---



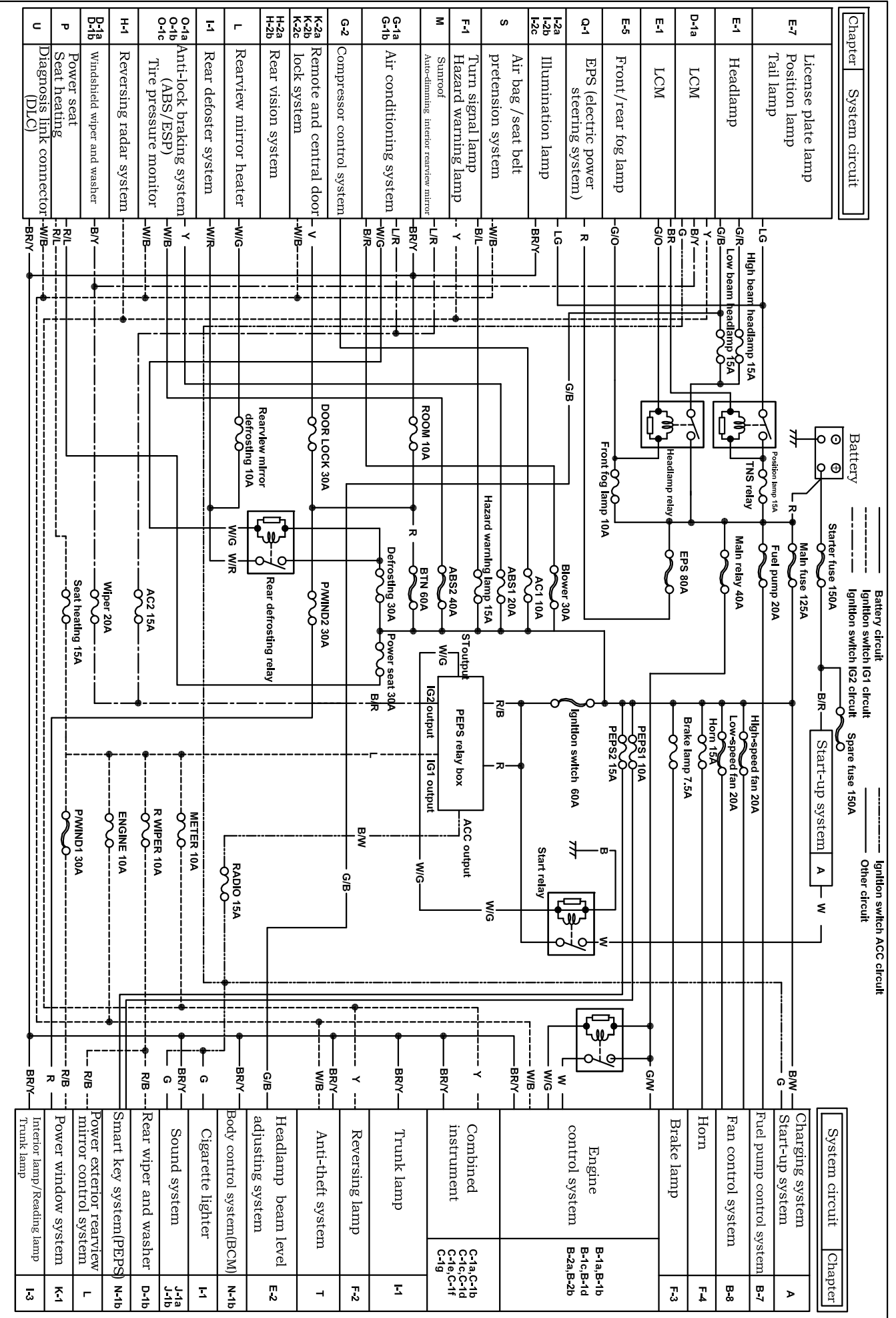
Harness mark:  (F)  (E)  (D)  (R)



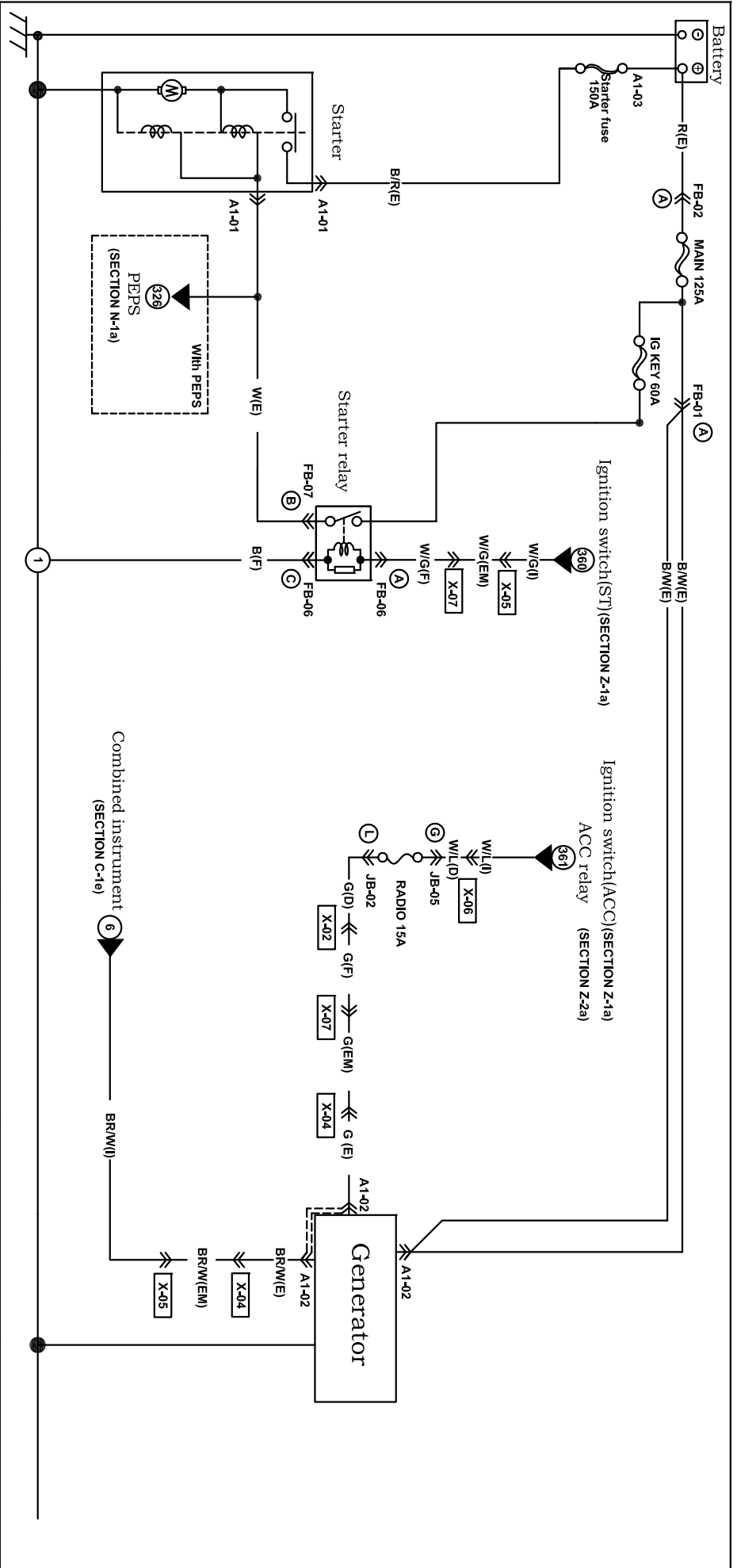




Electric harness schematic (with smart key)

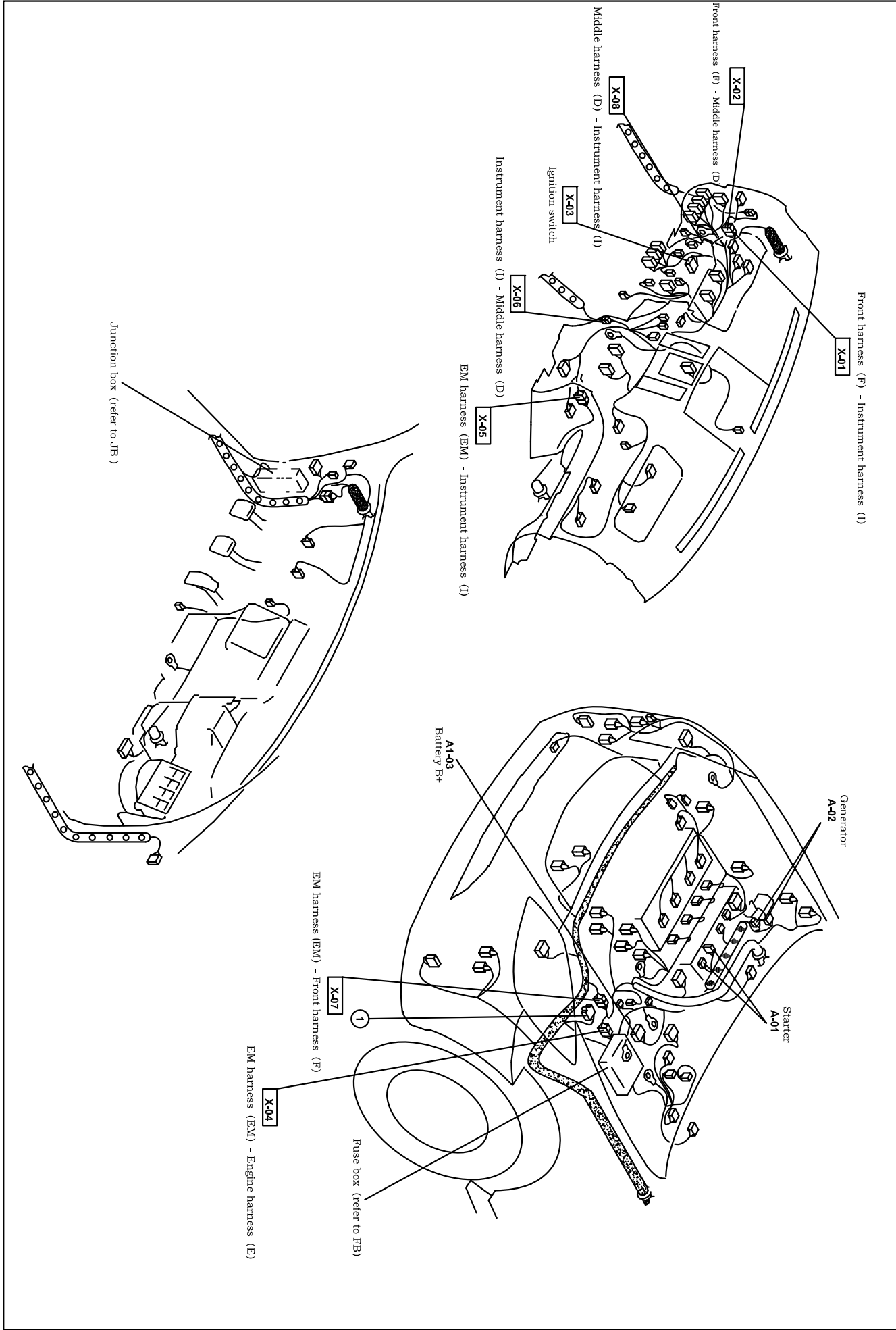


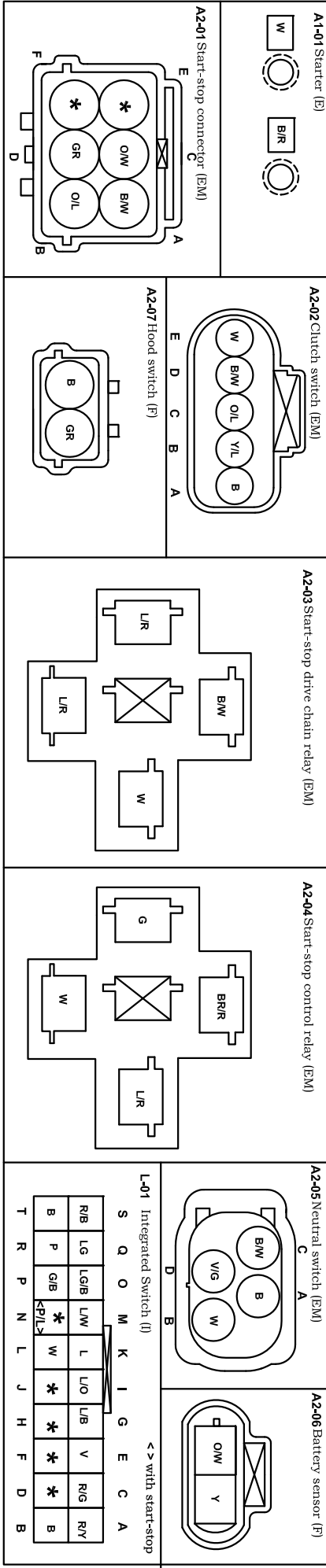
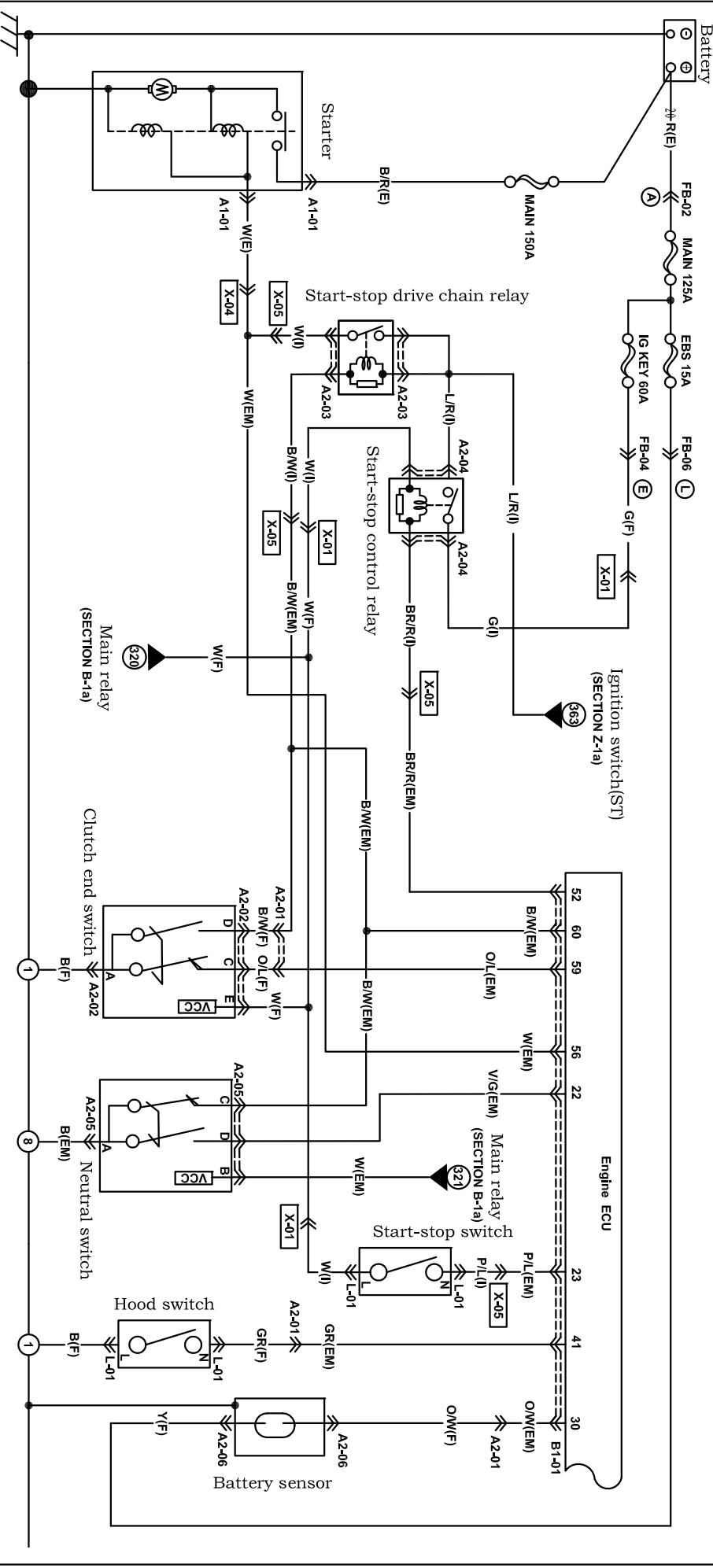
Charging system/start-up system



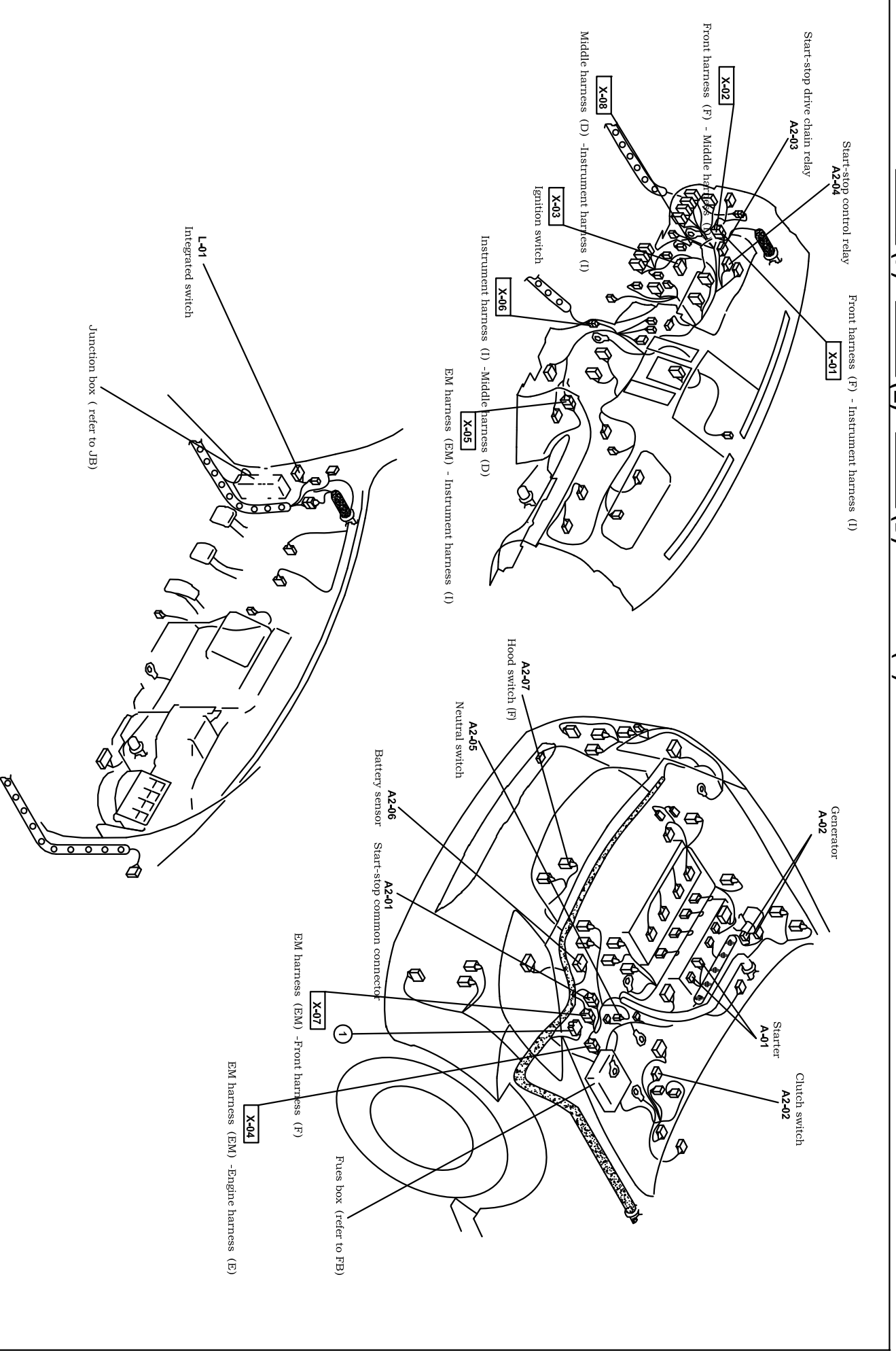
<p>A1-01 Starter (E)</p>	<p>A1-02 Generator (E)</p>	<p>A1-02 Generator (E)</p>	<p>A1-03 Battery B+ (E)</p>			
<p>W</p>	<p>B/R</p>	<p>B/W</p>				

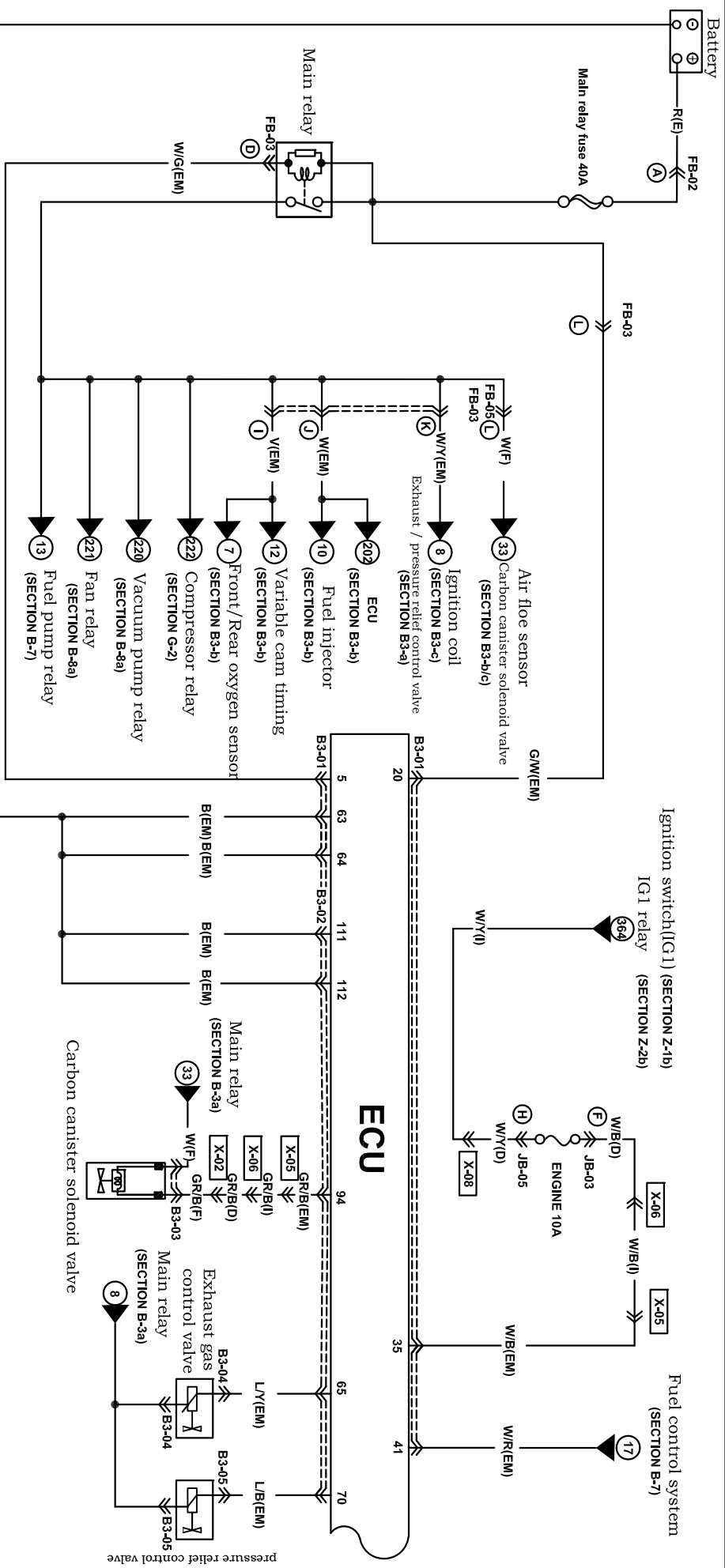
Harness mark: (F) (E) (D) (R)





Harness mark: (F) (E) (D) (R)



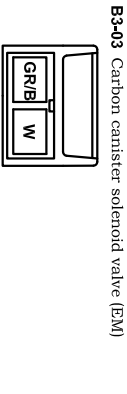


**B3-01 ECU(EM)**

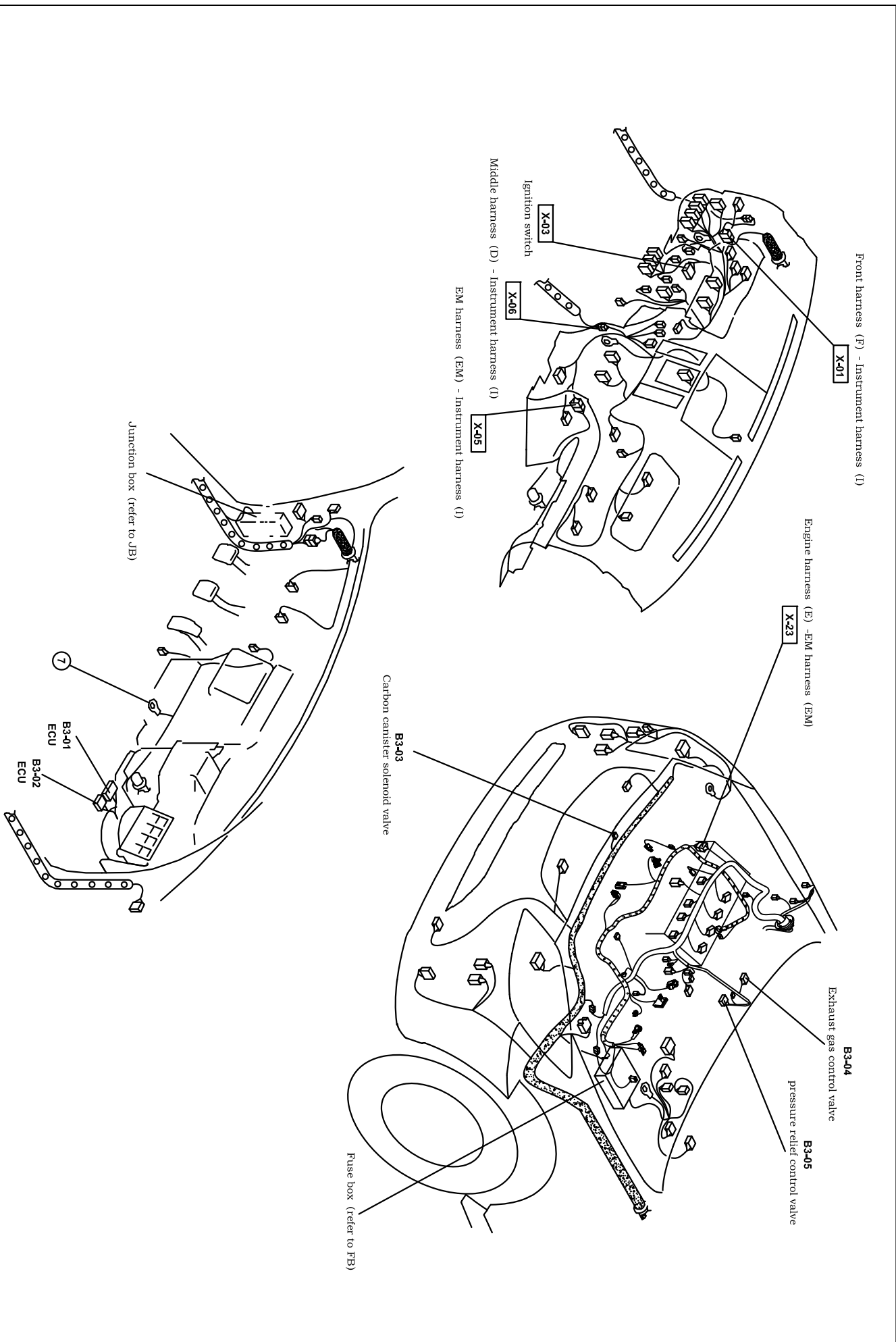
□64 B	□63 B	□62 P/G	□61 O/W	□60 LG	□59 Y/L	□58 *	□57 Y/G	□56 *	□55 G/L	□54 *	□53 *	□52 *	□51 *	□50 *	□49 *
□48 B/R	□47 W/R	□46 B/Y	□45 L/G	□44 P/B	□43 W/L	□42 B/R	□41 W/R	□40 *	□39 G/Y	□38 V/G	□36 W/B	□35 *	□34 *	□33 *	□32 *
□32 V/G	□31 *	□30 Y/W	□29 V	□28 *	□27 R/G	□26 B/L	□24 Y/B	□23 G/M	□22 V	□21 L/O	□19 *	□18 *	□17 *	□16 W	□15 W

**B3-02 ECU(EM)**

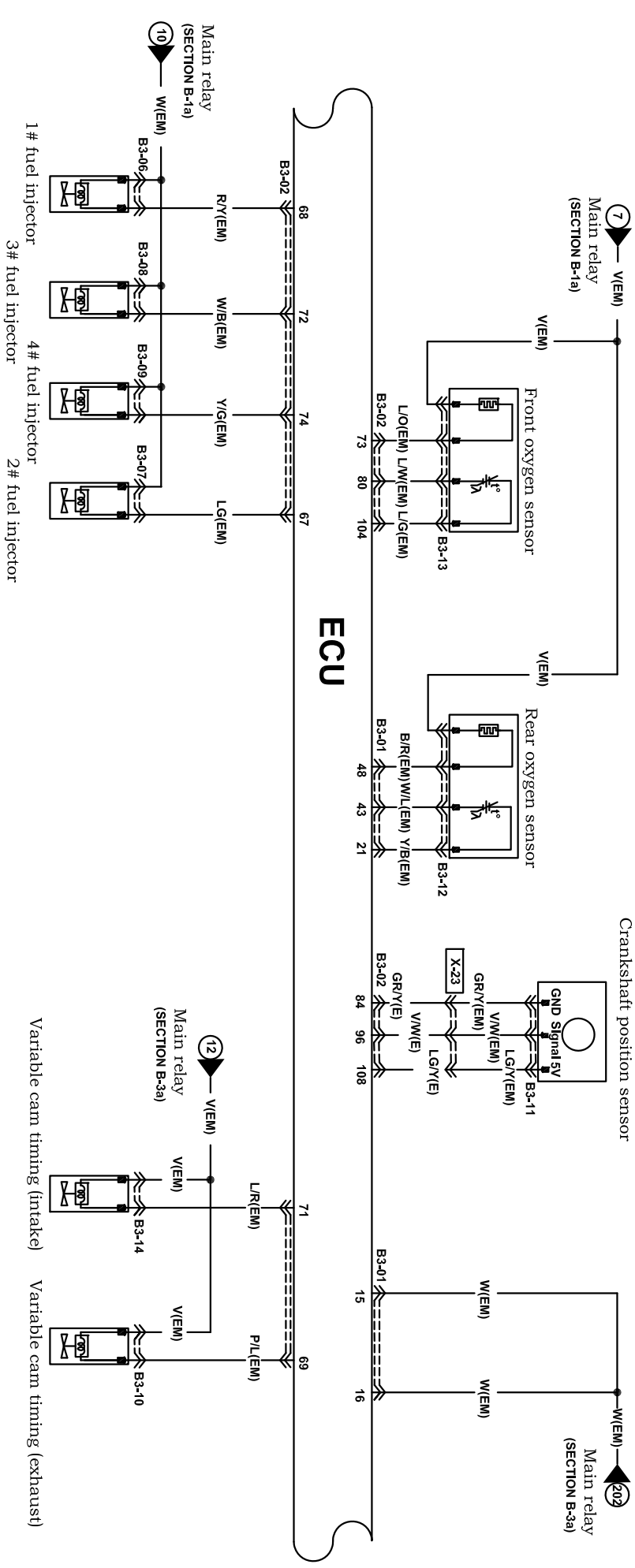
□112 B	□111 B	□110 *	□109 G/Y	□108 L/G	□107 Y/G	□106 *	□105 V/B	□104 L/G	□103 V/R	□101 G/M
□100 B/R	□99 R/Y	□98 V/G	□97 V/W	□96 L/W	□95 G/R	□93 W/G	□92 B/R	□91 W/L	□89 B/R	□88 L
□88 O	□87 O	□74 Y/G	□73 L/O	□72 W/B	□71 L/R	□70 P/L	□69 R/Y	□68 L/G	□66 *	□65 L/Y



Harness mark: (F) (E) (D) (R)



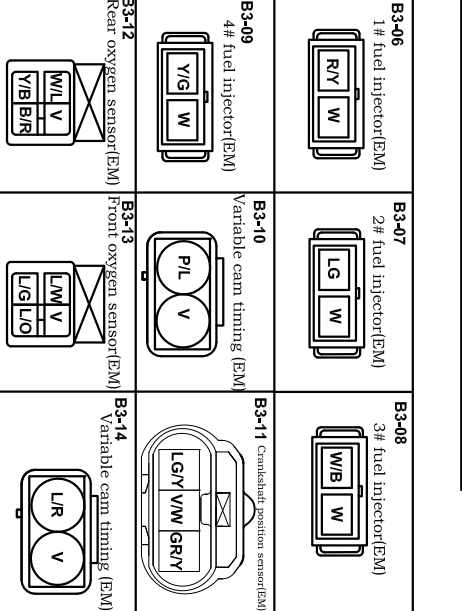




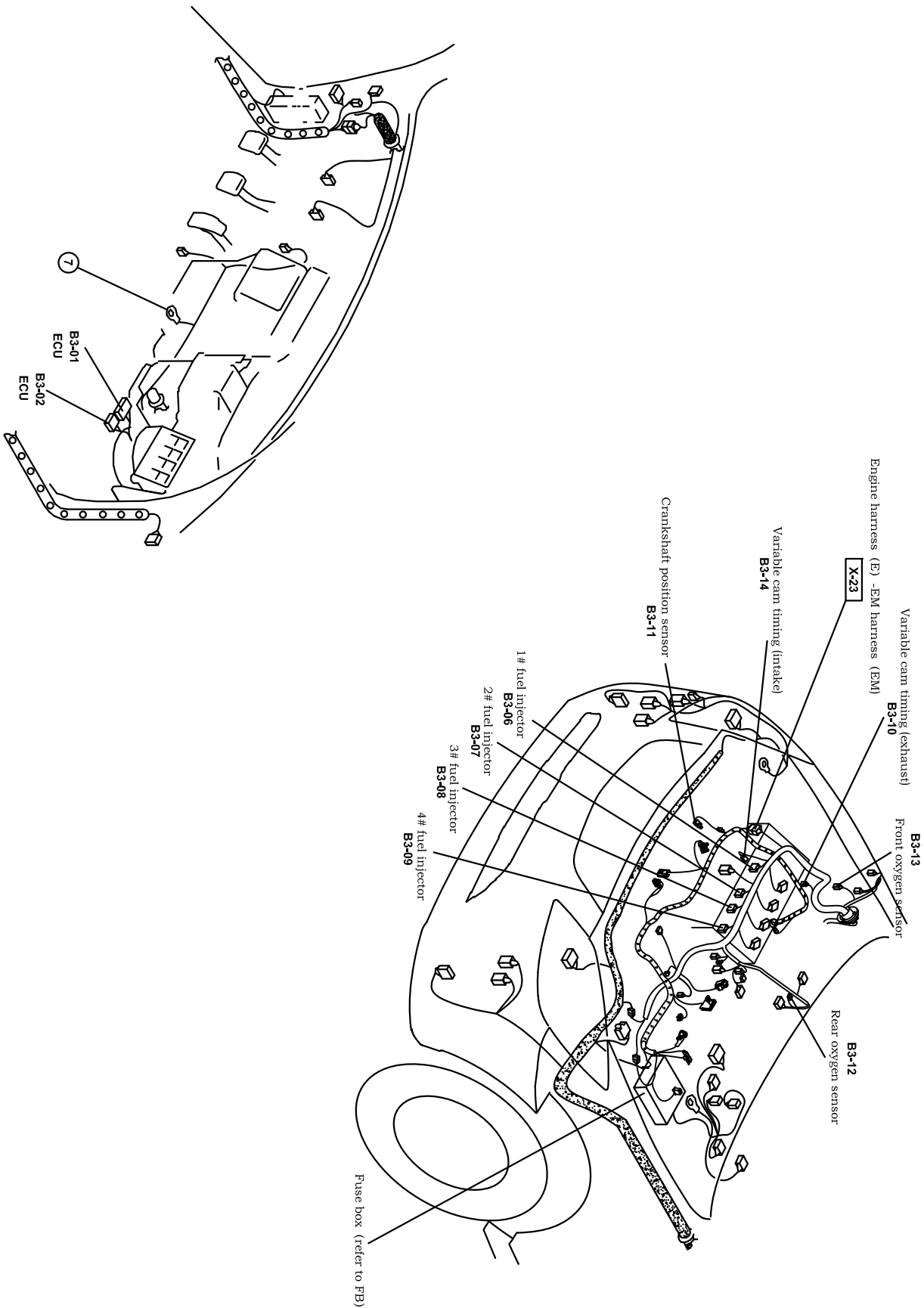
77

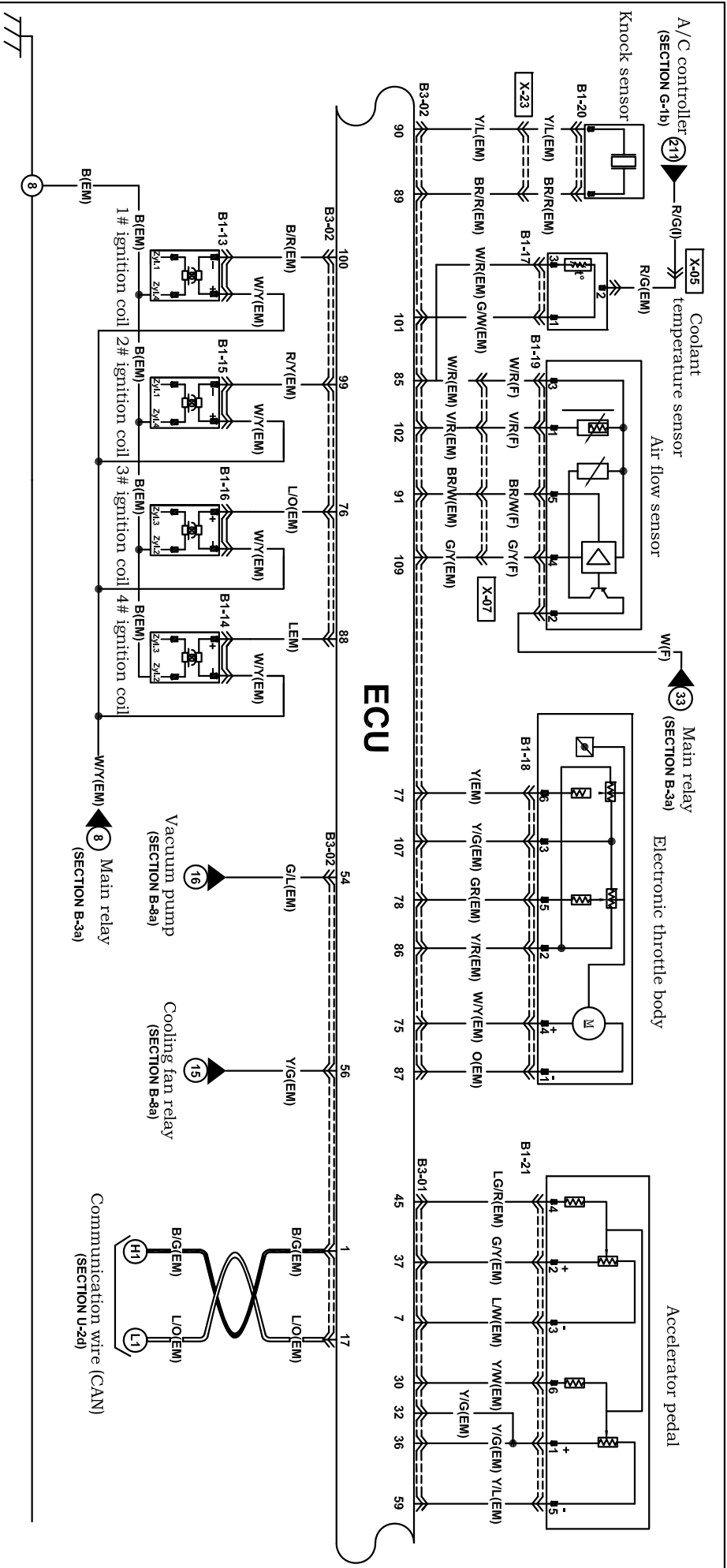
B3-01 ECU(EM)											
□64 B	□63 B	□62 P/G	□61 O/W	□60 L/G	□59 Y/L	□58 *	□57 Y/G	□56 *	□55 G/L	□54 *	□53 *
□48 B/R	□47 W/R	□46 B/Y	□45 L/G/R	□44 P/B	□43 W/L	□42 B/R/Y	□41 W/R	□40 *	□39 G/Y	□38 *	□37 *
□32 Y/G	□31 *	□30 Y/W	□29 *	□28 V	□27 *	□26 R/G	□25 *	□24 B/L	□23 *	□22 Y/B	□21 G/W
□16 W	□15 W	□14 *	□13 *	□12 O	□11 *	□10 G/O	□9 *	□8 L/W	□7 *	□6 W/G	□5 *
□49 *	□50 *	□51 *	□52 *	□53 *	□54 *	□55 *	□56 *	□57 *	□58 *	□59 *	□60 *
□49 *	□50 *	□51 *	□52 *	□53 *	□54 *	□55 *	□56 *	□57 *	□58 *	□59 *	□60 *

B3-02 ECU(EM)											
□112 B	□111 B	□110 *	□109 G/Y	□108 L/G/Y	□107 Y/G	□106 *	□105 V/B	□104 L/G	□103 *	□102 V/R	□101 G/W
□100 B/R	□99 R/Y	□98 Y/G	□97 V/W	□96 L/W	□95 G/R/B	□94 W/G	□93 *	□92 L/W	□91 B/R/W	□90 Y/L	□89 B/R/R
□88 L	□87 O	□86 Y/R	□85 W/R	□84 G/R/Y	□83 *	□82 *	□81 L/W	□80 *	□79 G/R	□78 Y	□77 *
□76 L/O	□75 W/Y	□74 Y/G	□73 L/O	□72 W/B	□71 L/R	□70 L/B	□69 P/L	□68 R/Y	□67 L/G	□66 *	□65 L/Y



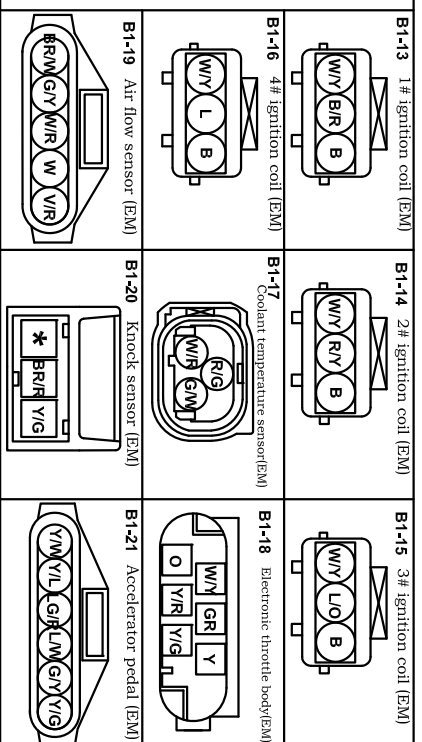
Harness mark:  (F)  (E)  (D)  (R)



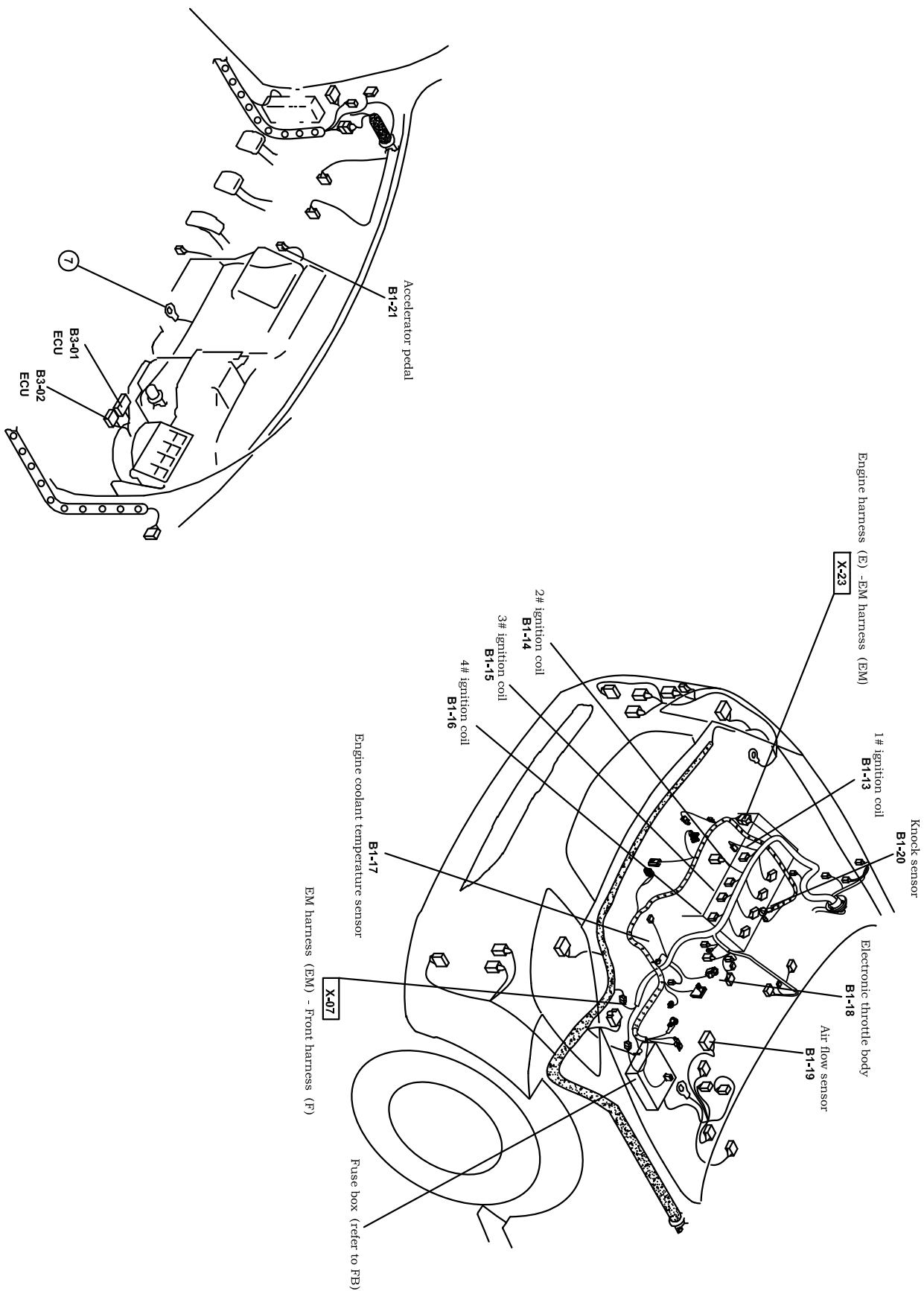


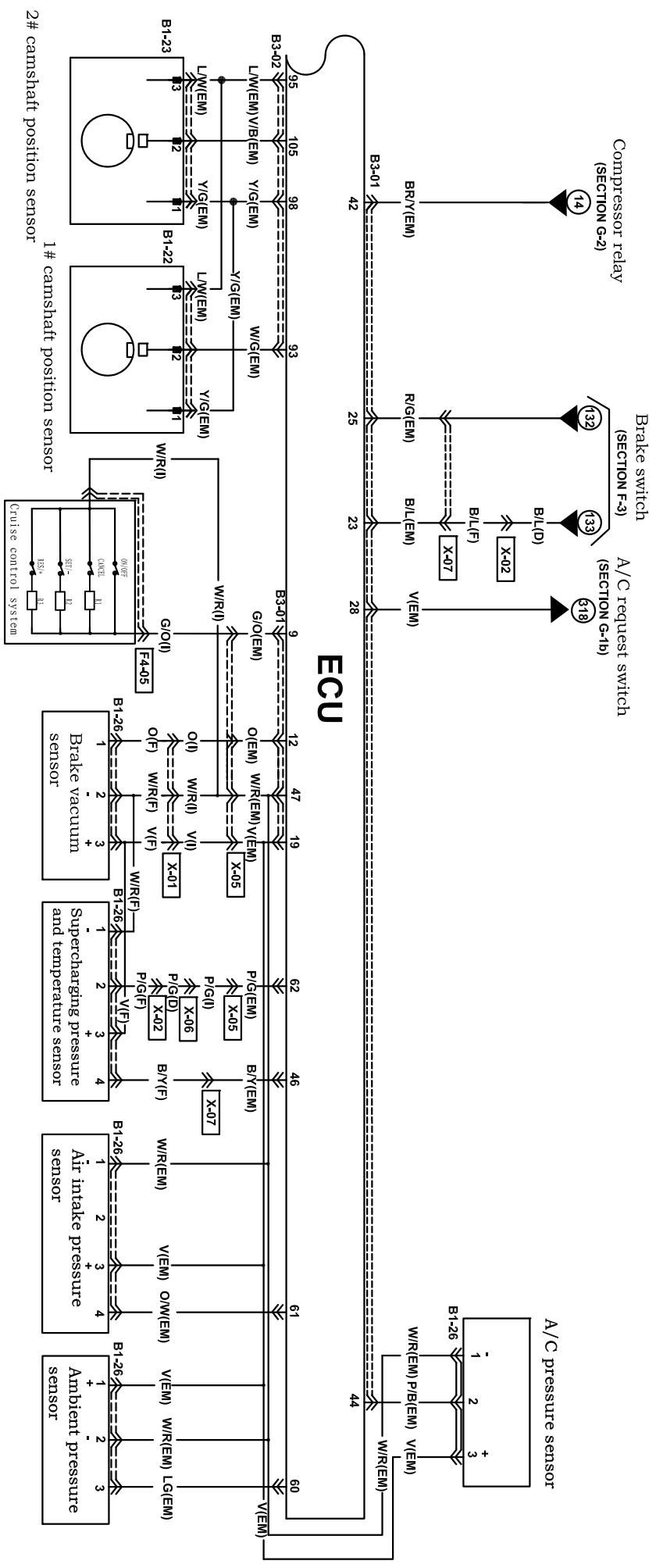
B3-42 ECU(EM)

112	111	110	109	108	107	106	105	104	103	102	101
B	B	*	G/Y	L/G/Y	V/G	*	V/B	L/G	*	V/R	G/W
100	99	98	97	96	95	94	93	92	91	90	89
B/R	R/Y	Y/G	*	V/W	L/W	GR/B	W/G	*	BR/W	Y/L	BR/R
88	87	86	85	84	83	82	81	80	79	78	77
L	O	Y/R	W/R	GR/Y	*	*	*	L/W	*	GR	Y
76	75	74	73	72	71	70	69	68	67	66	65
L/O	W/Y	Y/G	L/O	W/B	L/R	L/B	P/L	R/Y	LG	*	L/Y



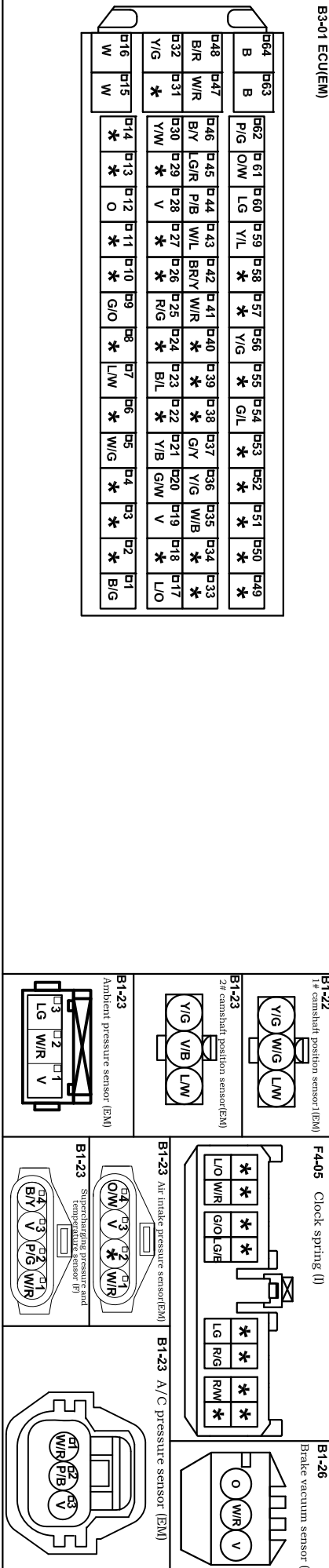
Harness mark: (F) (E) (D) (R)



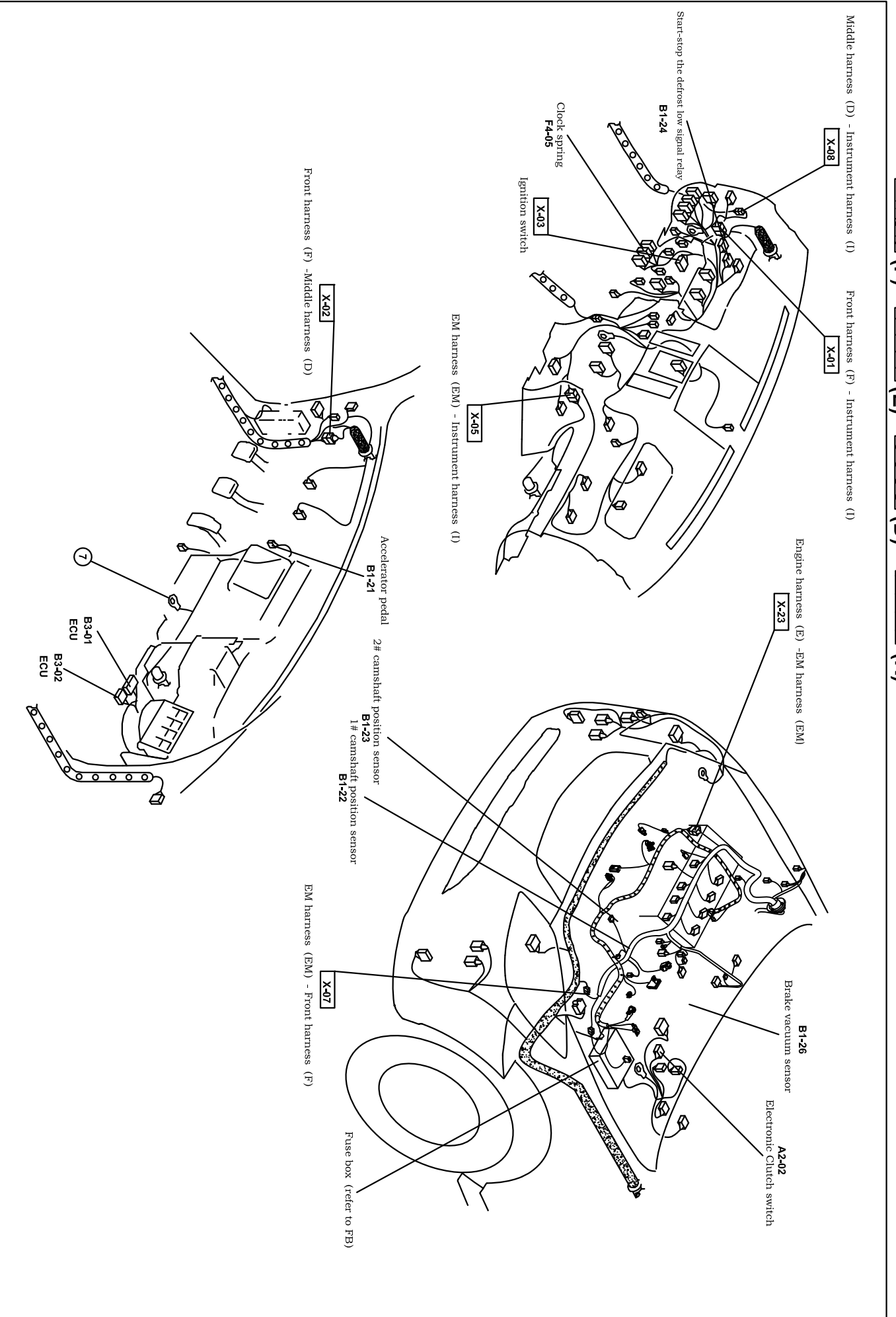


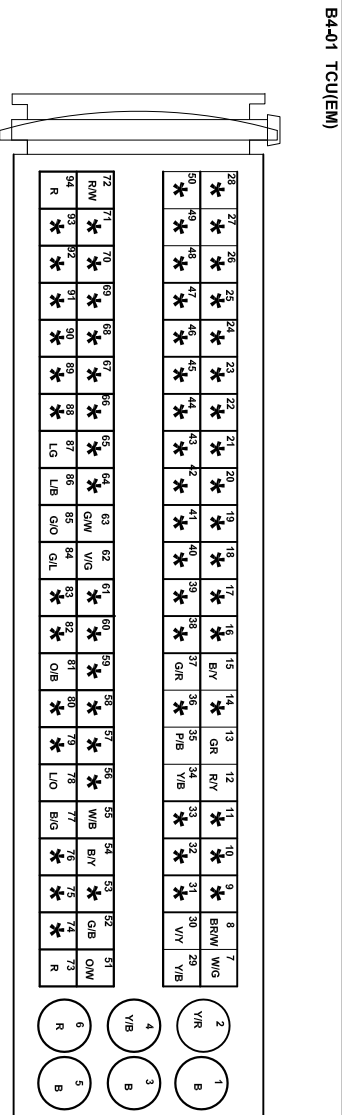
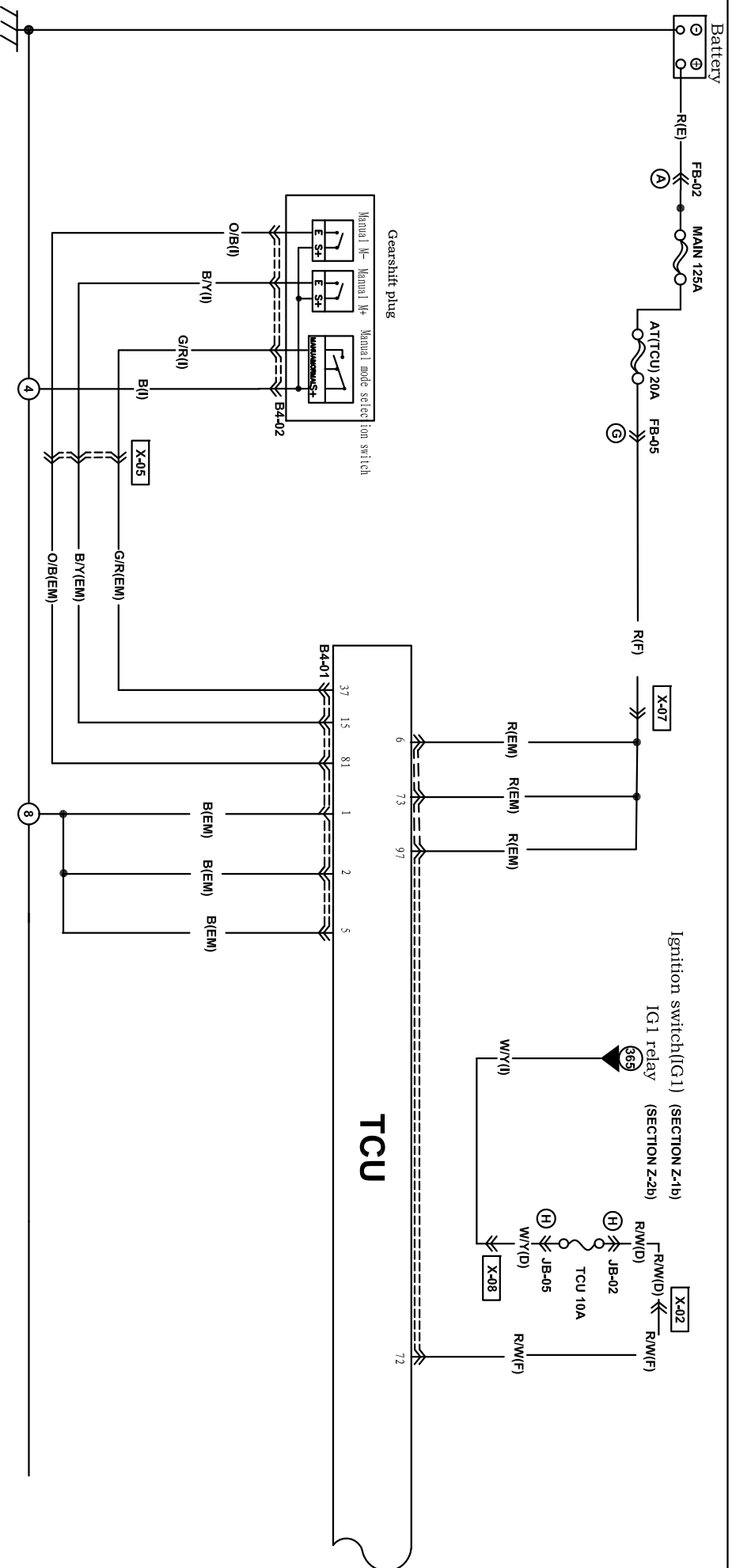
**B3-01 ECU(EM)**

□64	□63	□62	□61	□60	□59	□58	□57	□56	□55	□54	□53	□52	□51	□50	□49
B	B	P/G	O/W	L/G	Y/L	*	*	Y/G	*	G/L	*	*	*	*	*
□48	□47	□46	□45	□44	□43	□42	□41	□40	□39	□38	□37	□36	□35	□34	□33
B/R	W/R	B/Y	L/G/R	P/B	W/L	BR/Y	W/R	Y/G	W/B	G/Y	Y/G	W/B	W/B	W/B	W/B
□32	□31	□30	□29	□28	□27	□26	□25	□24	□23	□22	□21	□20	□19	□18	□17
Y/G	*	Y/W	*	V	*	*	R/G	*	B/L	*	Y/B	G/W	V	*	L/O
□16	□15	□14	□13	□12	□11	□10	□9	□8	□7	□6	□5	□4	□3	□2	□1
W	W	*	*	O	*	*	G/O	*	L/W	*	W/G	*	*	*	B/G



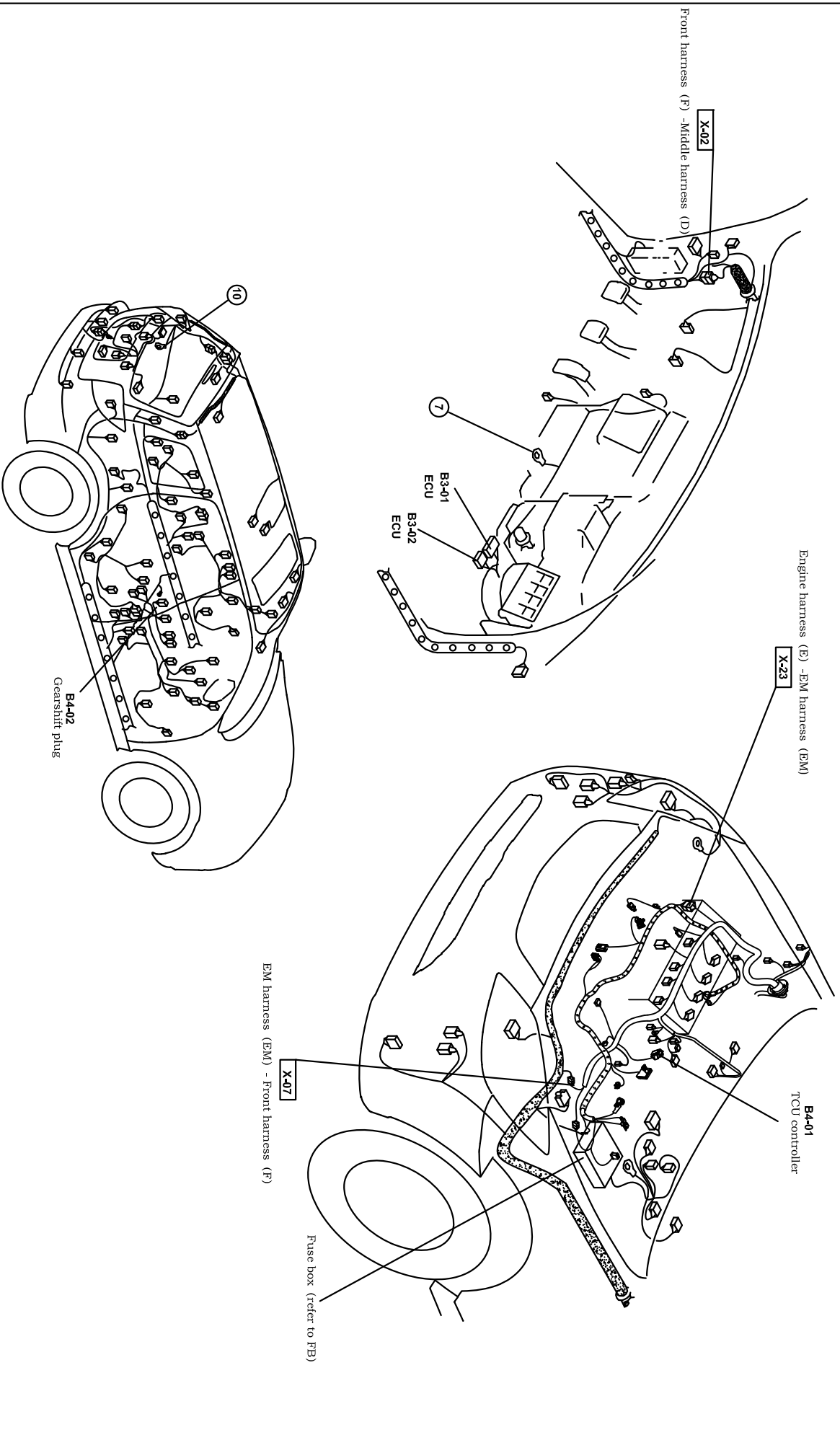
Harness mark: (F) (E) (D) (R)





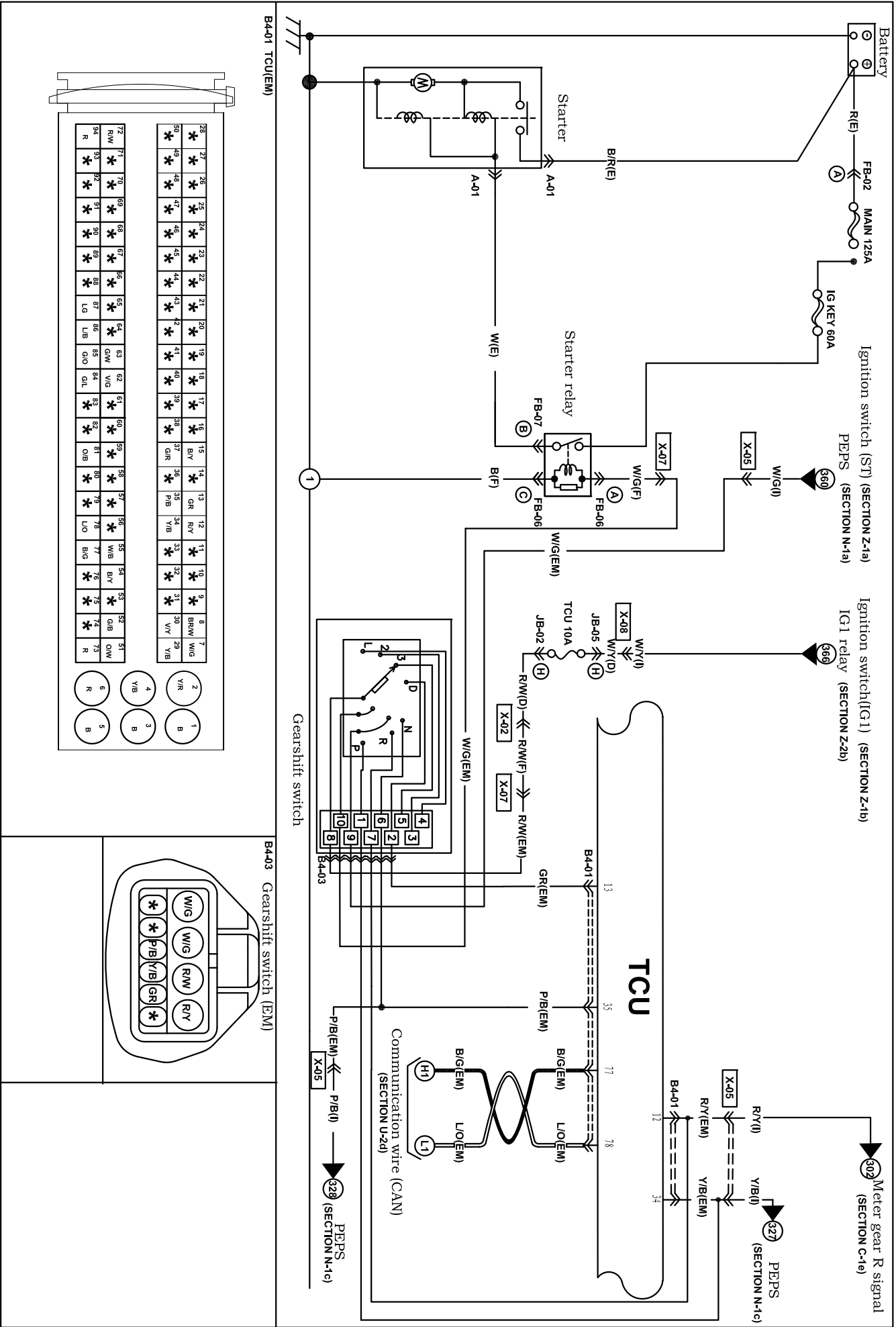
<b>B4-02</b> Gearshift plug (I)			
c		A	
LG	*	B	B/Y
LG/B	*	G/R	O/B
H		B	

Harness mark:  (F)  (E)  (D)  (R)





Transmission control system (1.8T-6AT)



Harness mark: (F) (E) (D) (R)

Middle harness (D) - Instrument harness (I) Front harness (F) - Instrument harness (I)

X-08 X-01

Engine harness (E) - EM harness (EM)

X-23

Ignition switch X-03

EM harness (EM) - Instrument harness (I)

X-05

Accelerator pedal B1-21

Gearshift switch B4-03

EM harness (EM) - Front harness (F)

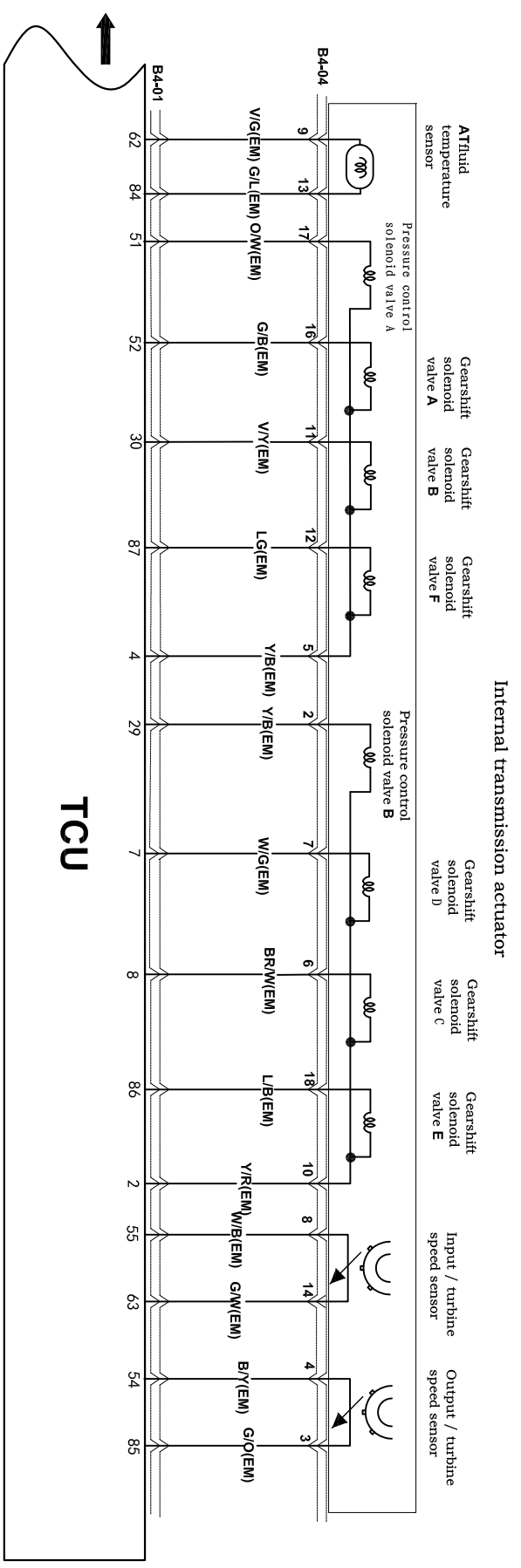
X-07

Fuse box (refer to FB)

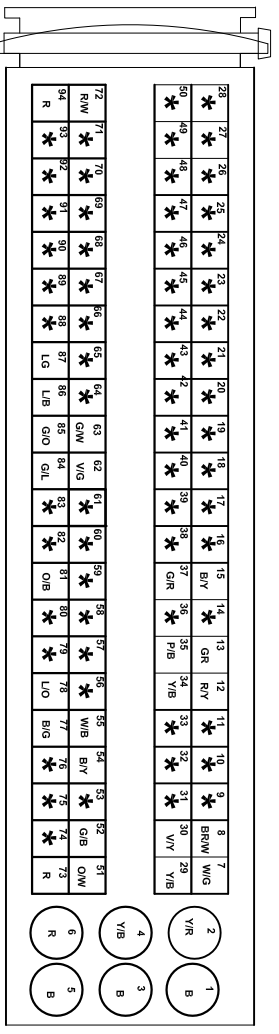
Front harness (F) - Middle harness (D)

X-02

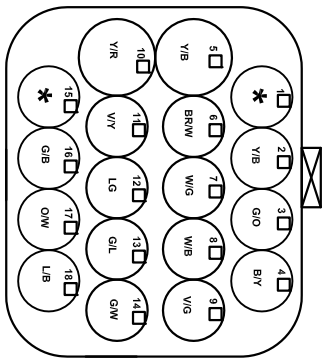
B3-01 ECU  
B3-02 ECU



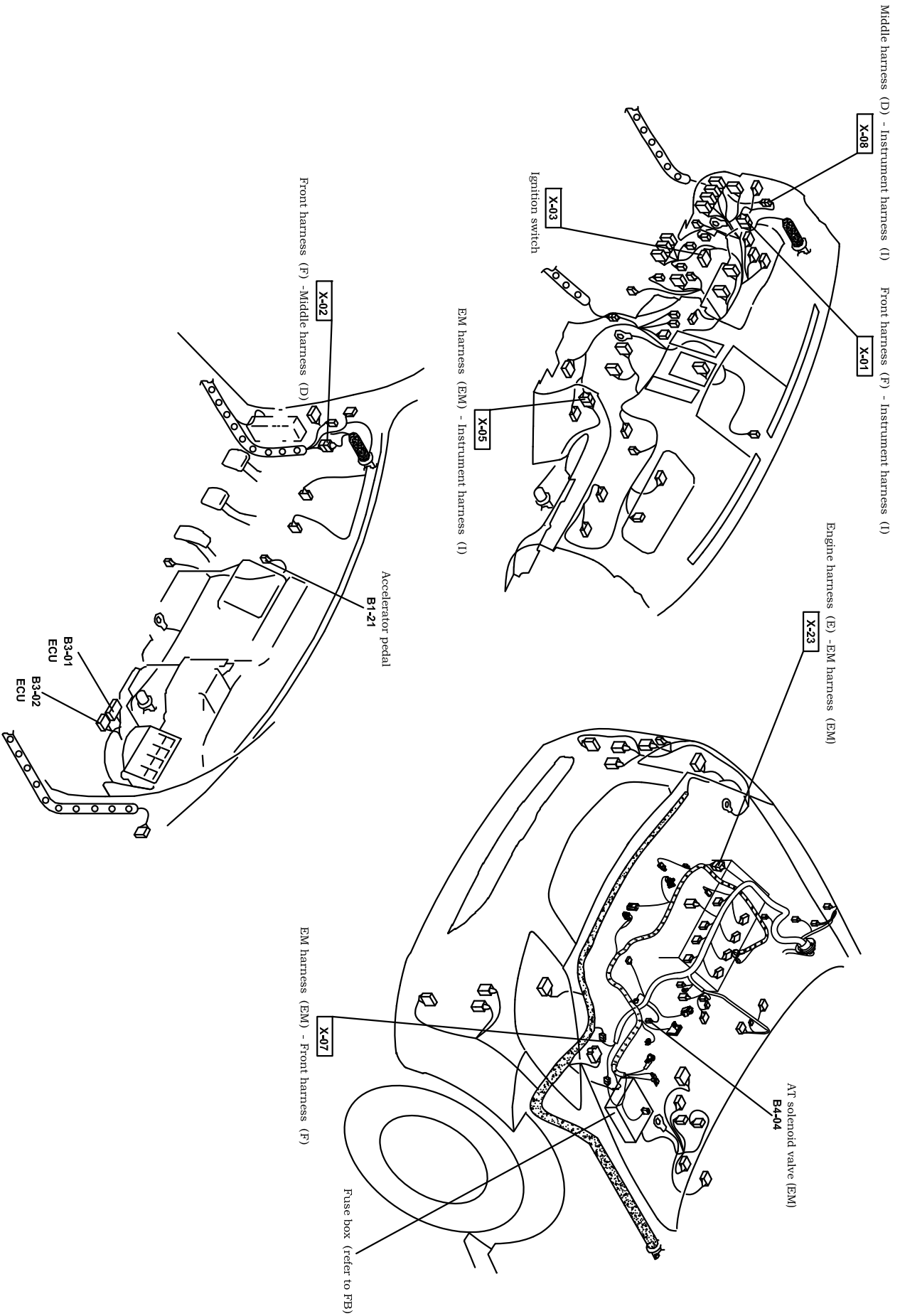
B4-01 TCU(EM)

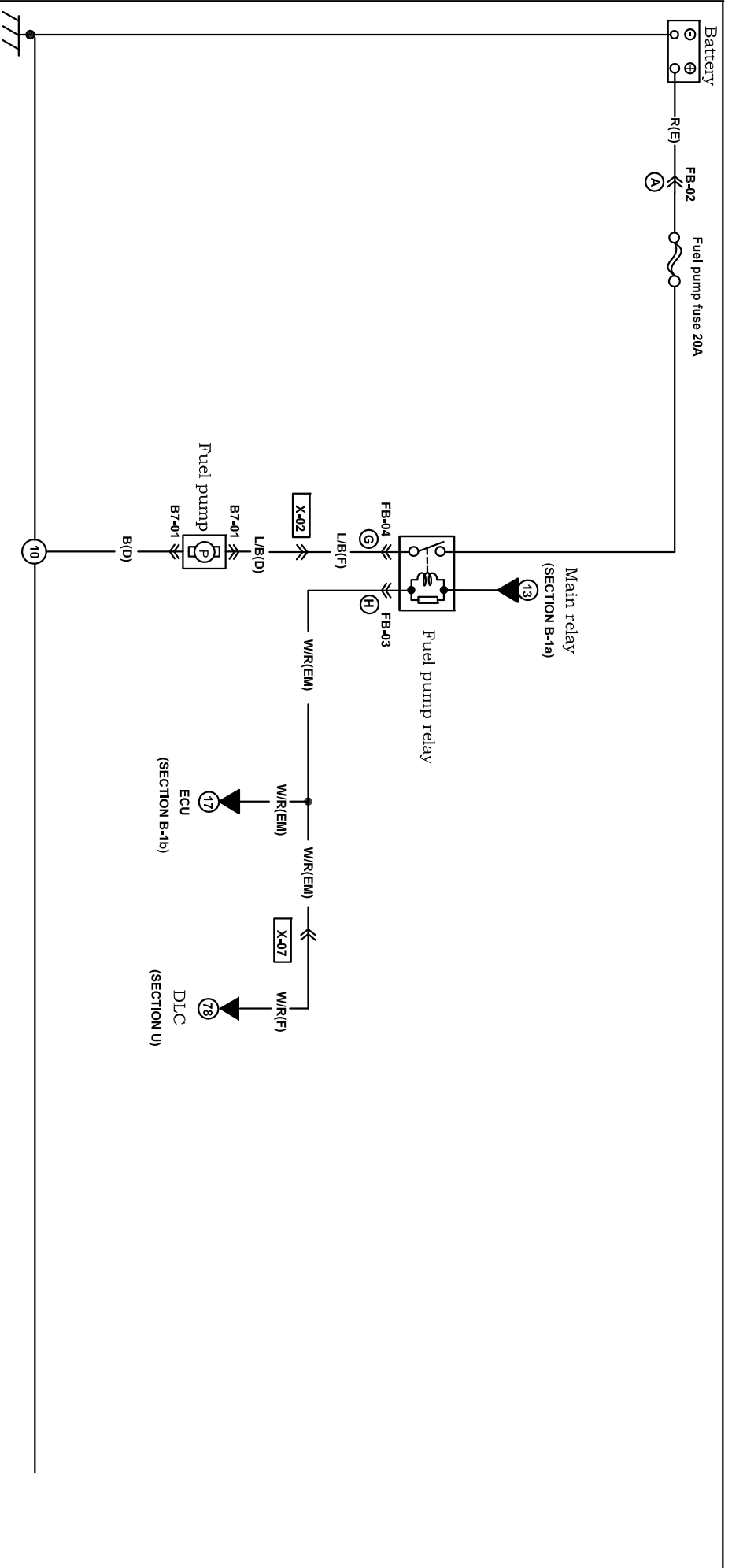


B4-04 AT solenoid valve (EM)

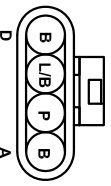






Harness mark: [ ] (F) [ ] (E) [ ] (D) [ ] (R)

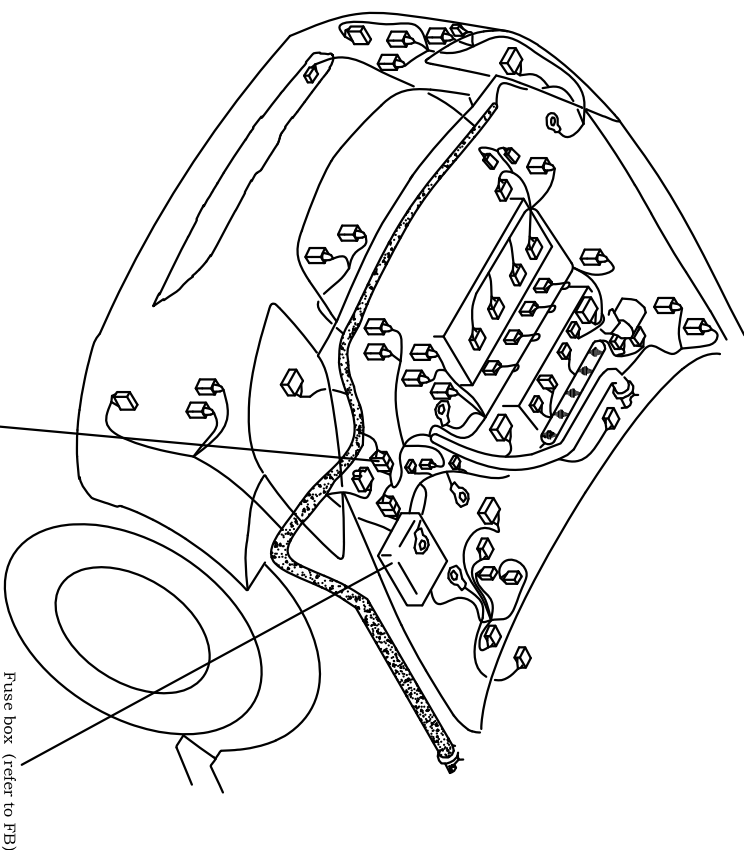
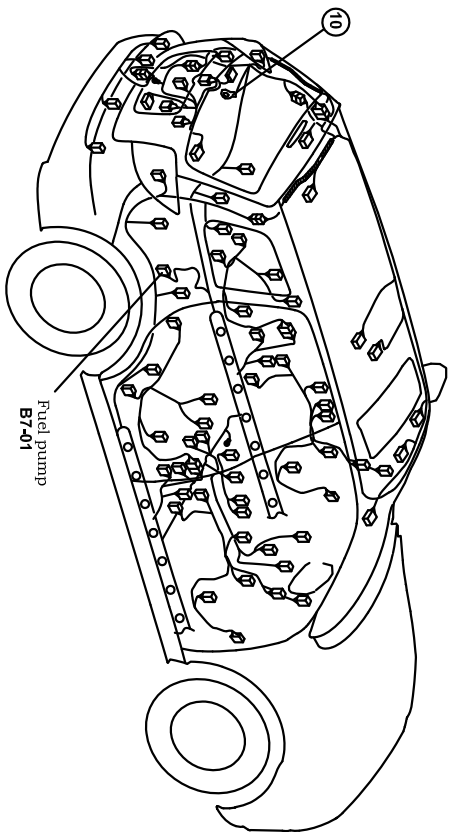
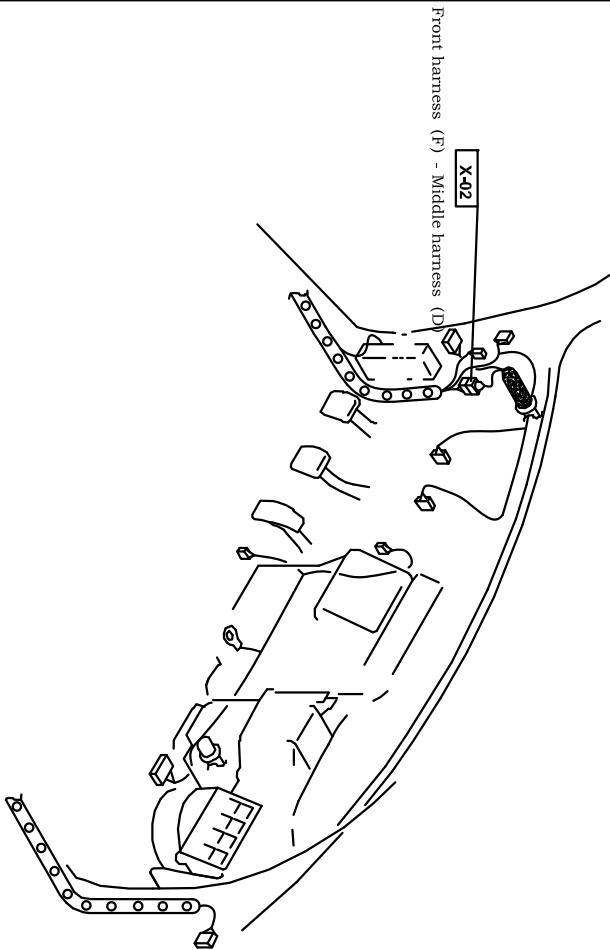




B7-01	Fuel pump (D)						

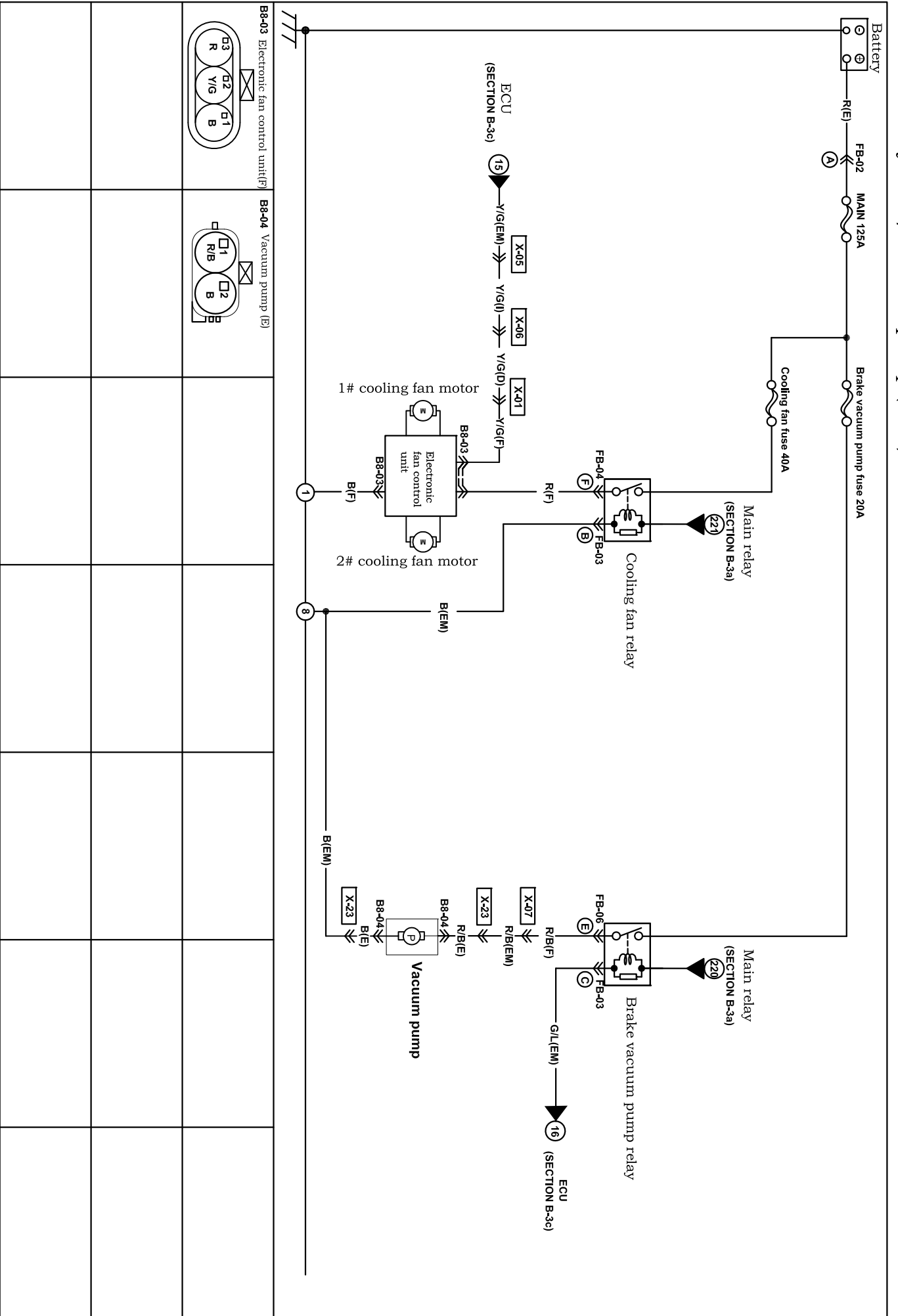


Harness mark:  (F)  (E)  (D)  (R)

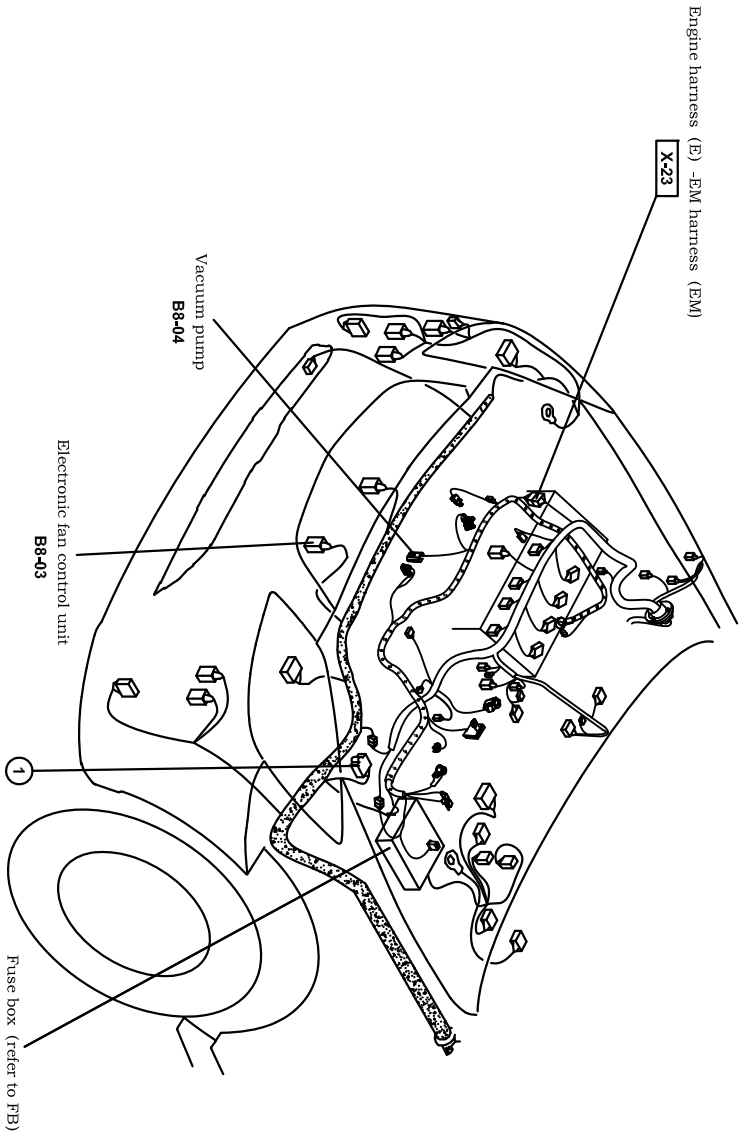


Fan control system / Vacuum pump (1.8T)

B-8a



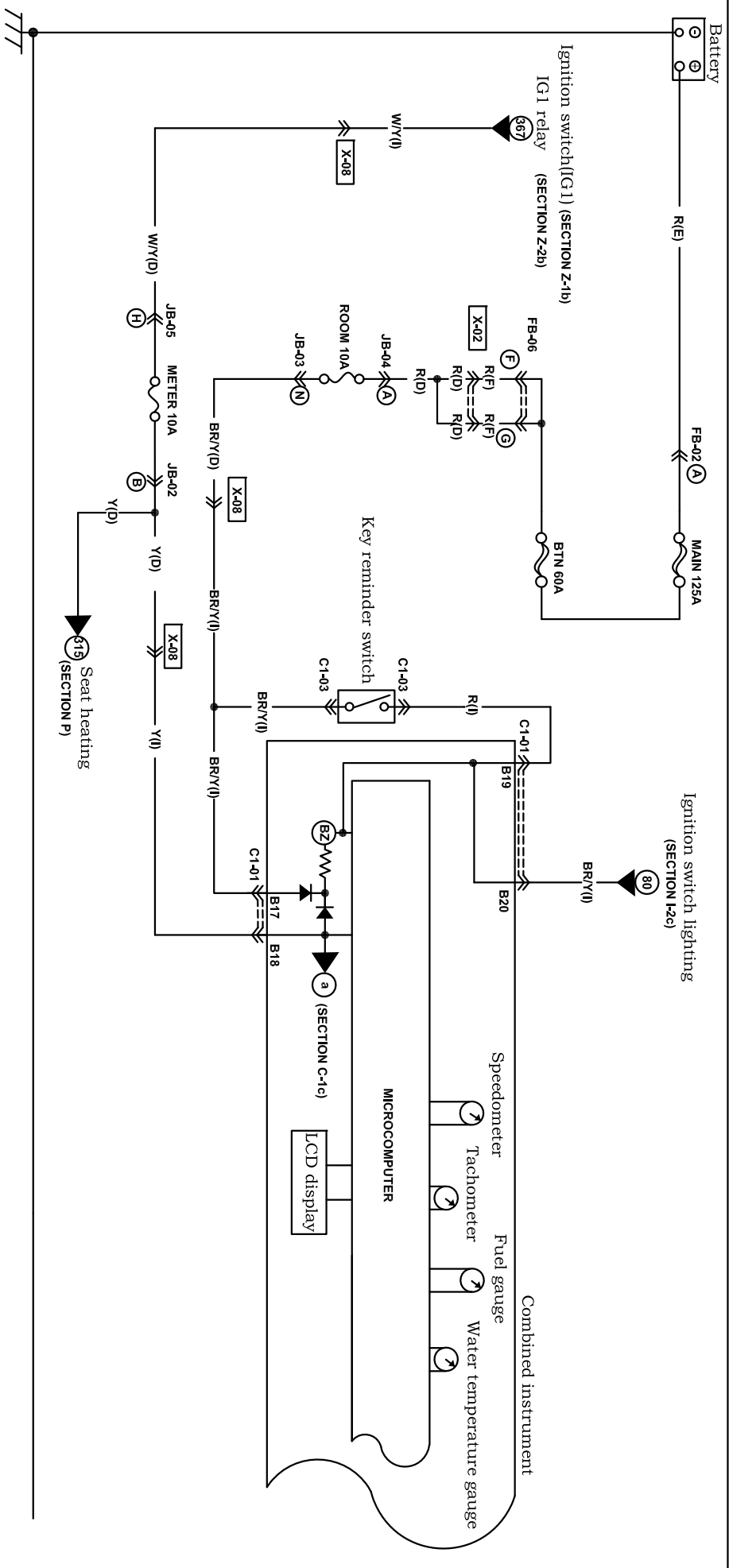
Harness mark:  (F)  (E)  (D)  (R)





Combined instrument (1.8T)

C-1a



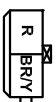
C1-01 Combined instrument (I)

( ) with ESP

C1-01 Combined instrument (I)

@ with ignition switch

C1-03 Key reminder switch (I)



A1	B/Y	B/L	B/W	B/R	R/Y	P	Y/G	(G/O)	(V/W)	*	*	*	*	*	*	A16
A17	LG	LG/B	*	*	*	*	*	*	*	G/B	LG/R	G/W	GR/R	Y/L	*	A32

B1	B	B/G	L/O	*	BR/G	SL/B	SL/W	GR/Y	BR/W	L/R	V	Y/B	B16
B17	BR/Y	Y	@R	@V/W	BR/E	*	*	*	*	*	*	*	B32

Harness mark:  (F)  (E)  (D)  (R)

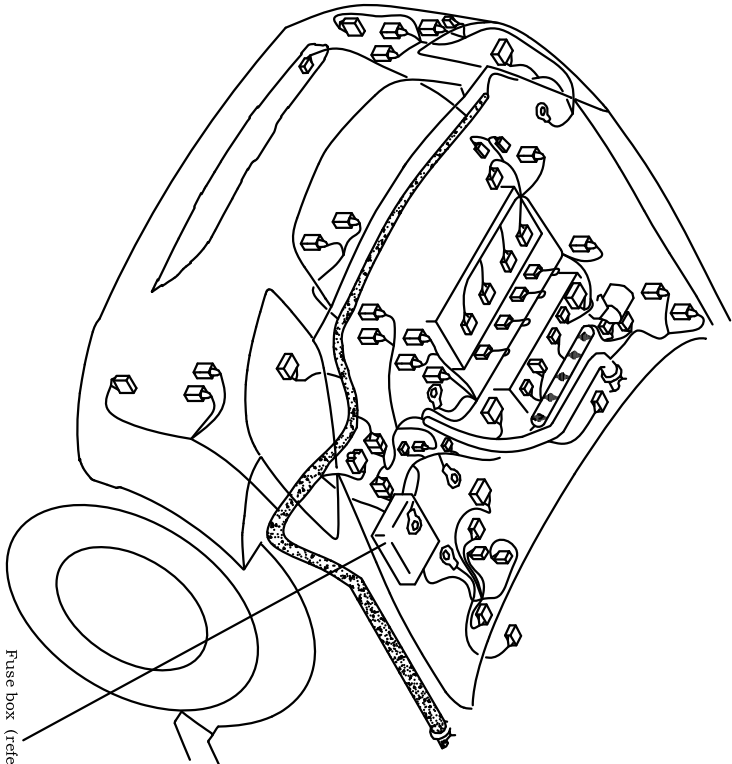
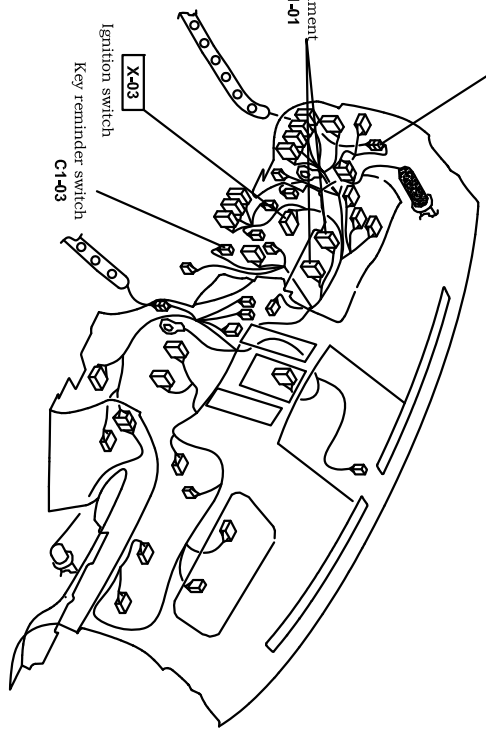
Middle harness (D) - Instrument harness (I)

X408

Combined Instrument  
C1-01

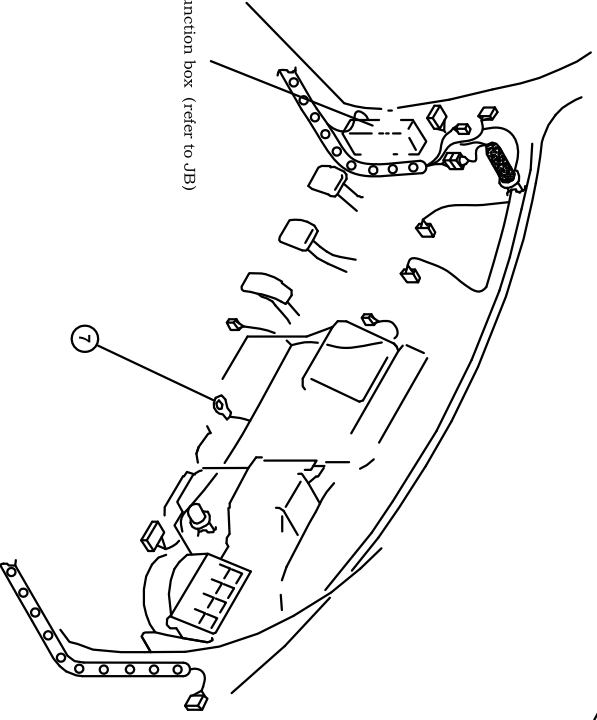
Ignition switch  
X403

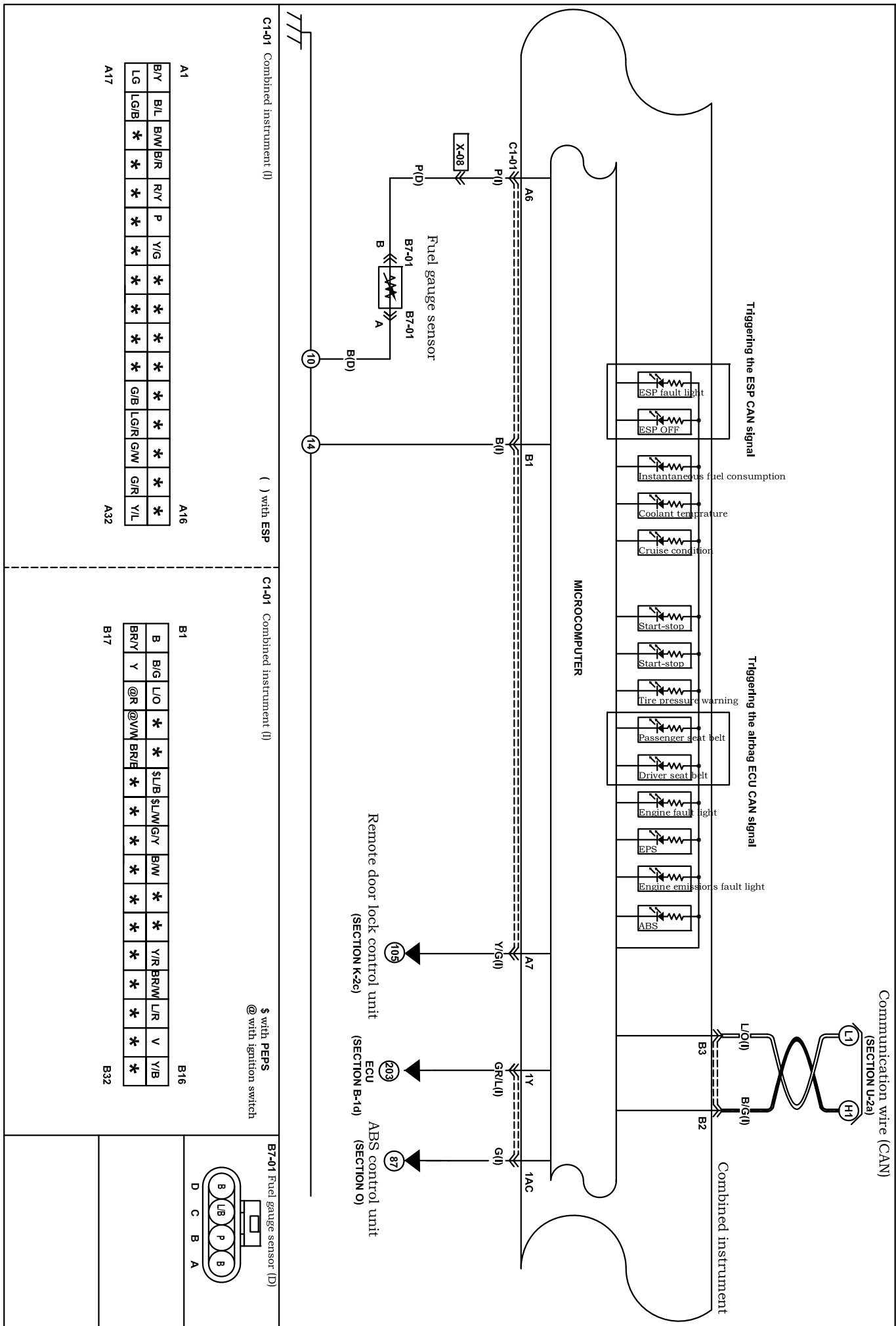
Key reminder switch  
C1-03



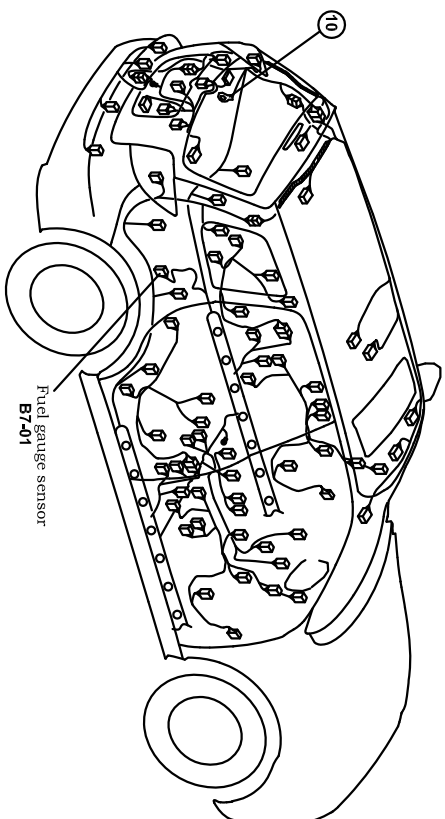
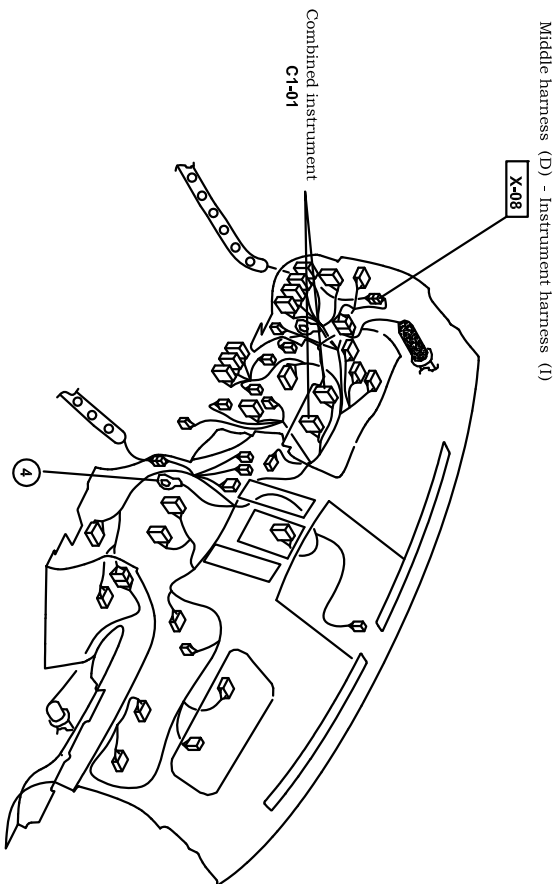
Fuse box (refer to FB)

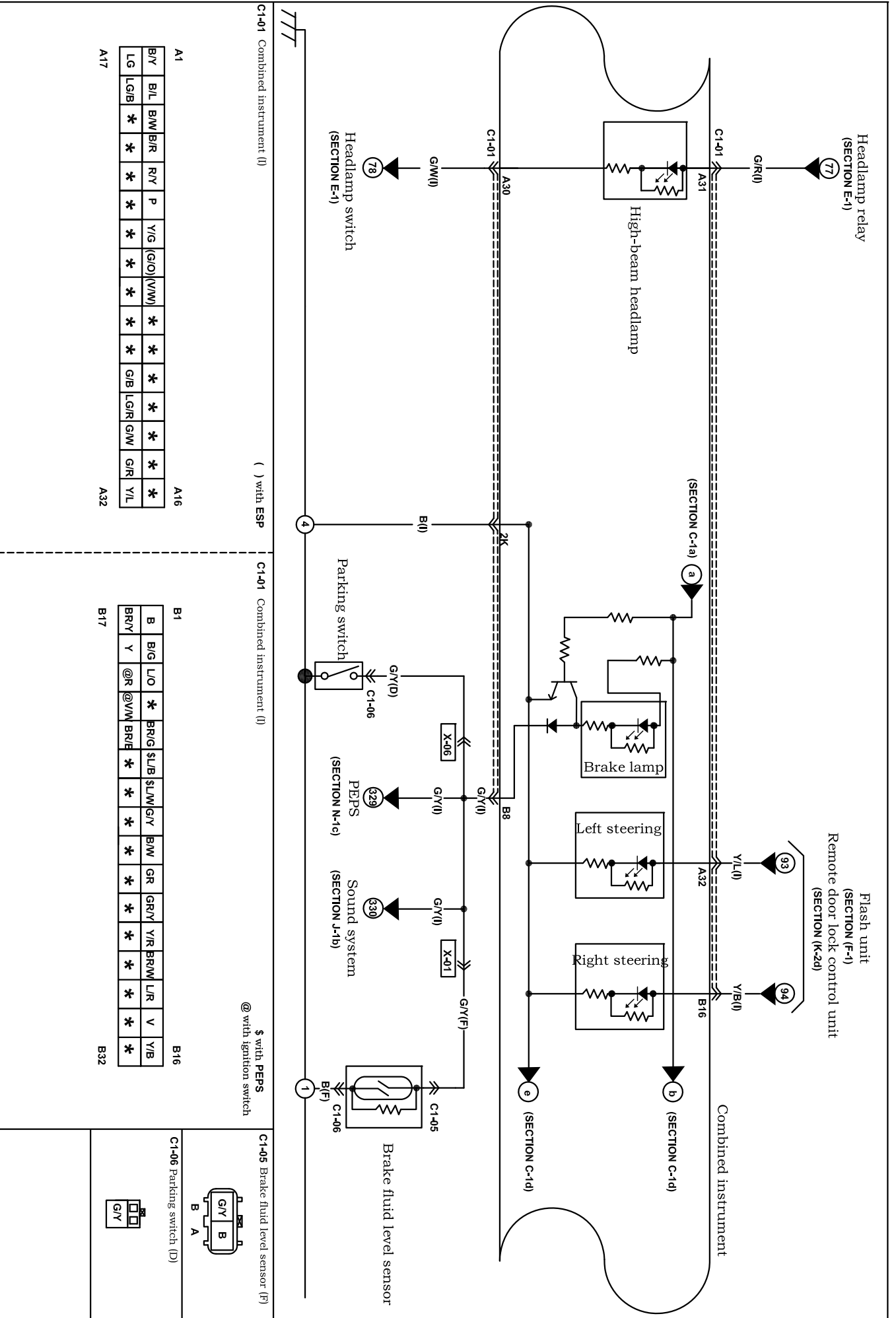
Junction box (refer to JB)





Harness mark:  (F)  (E)  (D)  (R)





A1

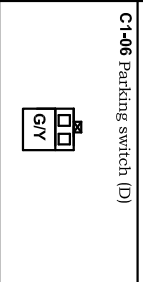
B/Y	B/L	BW	B/R	R/Y	P	Y/G	(G/O)	(V/W)	*	*	*	*	*	*	*	*	*	*
LG	LG/B	*	*	*	*	*	*	*	*	*	GB	LG/R	GM	GR	YL			

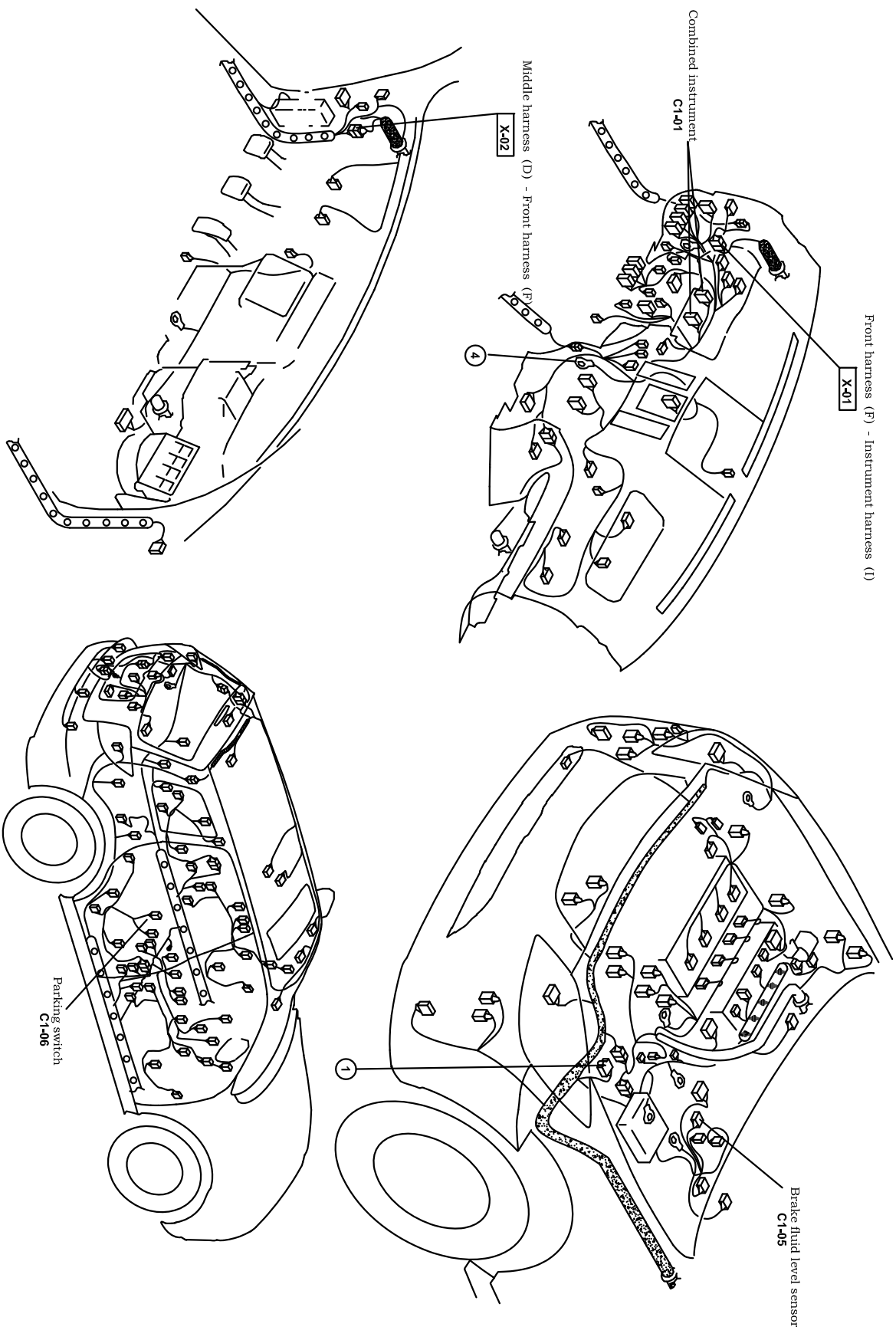
A17

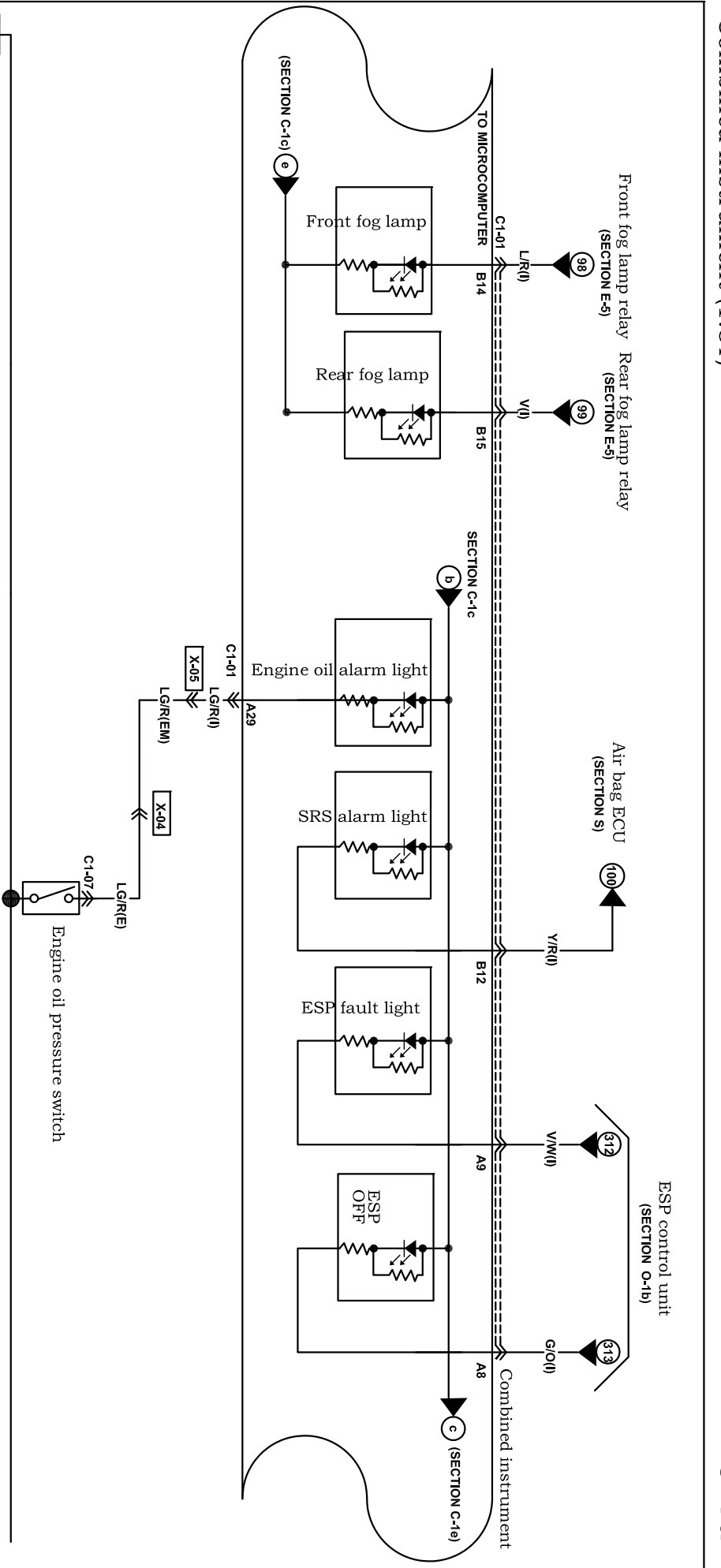
B1

B	B/G	L/O	*	BR/G	\$L/B	\$L/W	G/Y	B/W	GR	GR/Y	Y/R	BR/W	L/R	V	Y/B
BR/Y	Y	@/R	@/W	BR/E	*	*	*	*	*	*	*	*	*	*	*

B16







C1-01 Combined instrument (I) ( ) with ESP C1-01 Combined instrument (I) \$ with PEPs @ with ignition switch C1-07 Engine oil pressure switch (E)

A17

B/Y	B/L	B/W/B/R	R/Y	P	Y/G	G/O	V/W	*	*	*	G/B	L.G/R	G/W	G/R	Y/L
LG	LG/B	*	*	*	*	*	*	*	*	*	*	*	*	*	*

A16

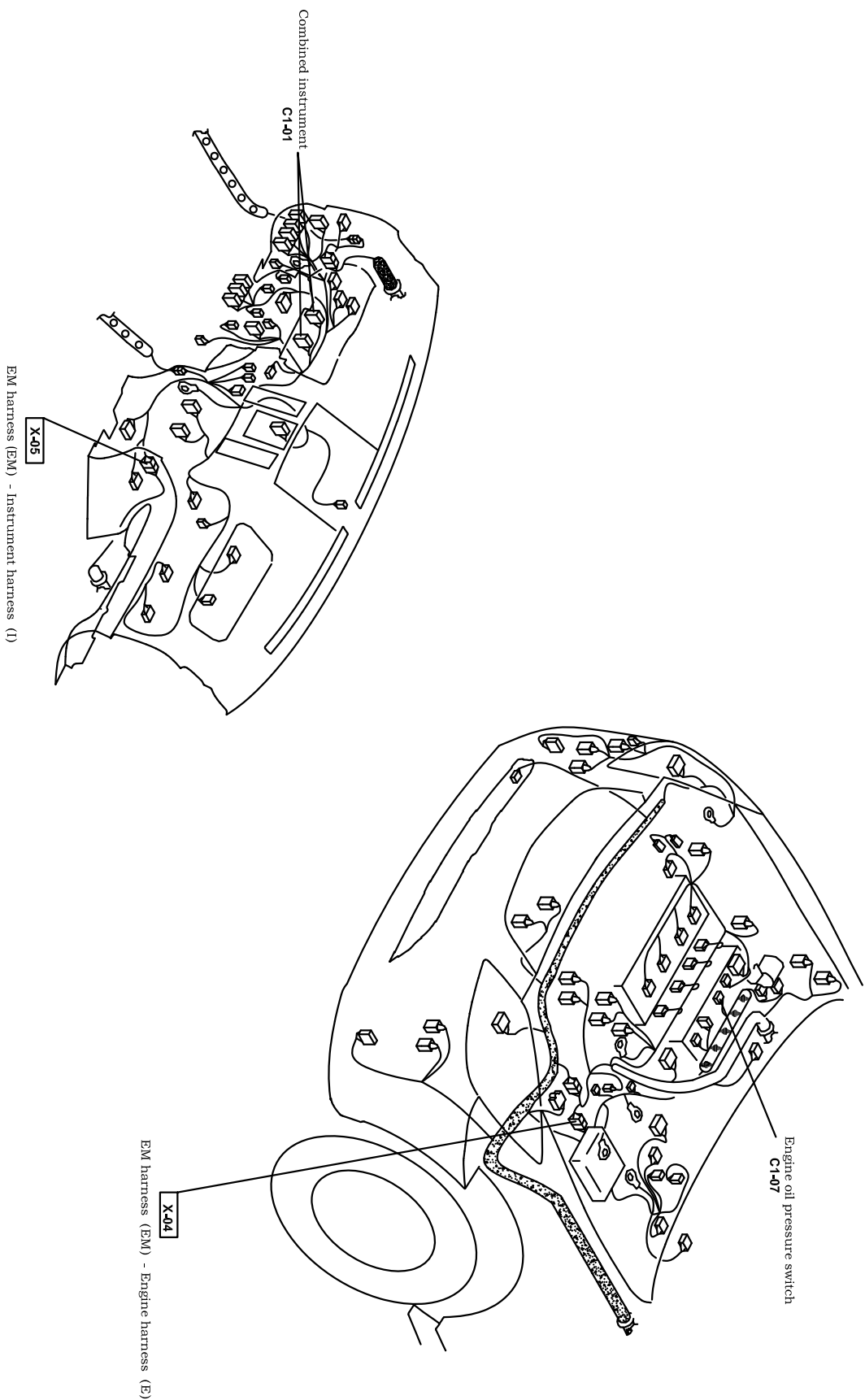
B17

B	B/G	L/O	*	BR/G	\$L/B	\$L/W	G/Y	B/W	GR	GR/Y	Y/R	BR/W	L/R	V	Y/B
BR/Y	Y	@R	@V/W	BR/E	*	*	*	*	*	*	*	*	*	*	*

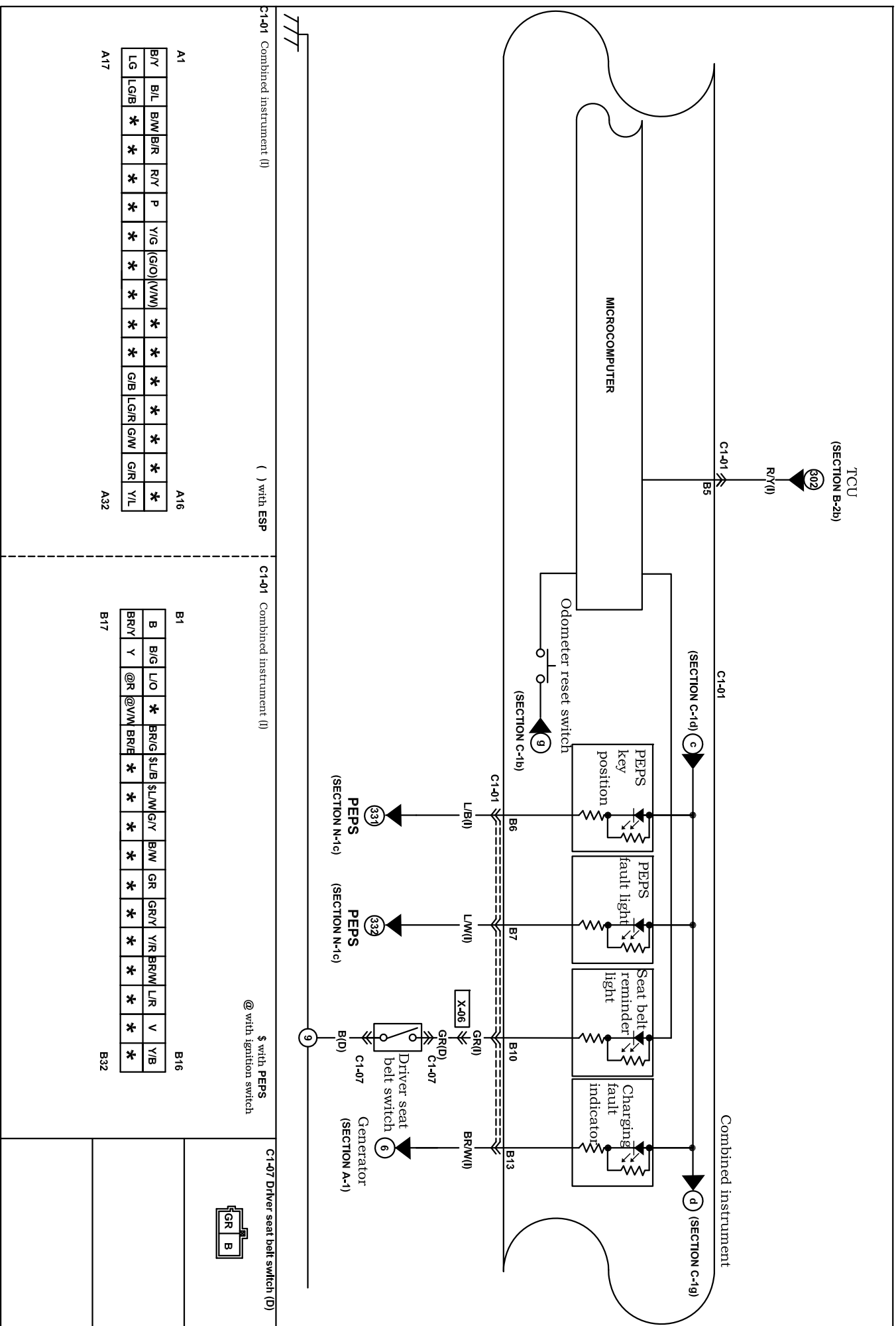
B32

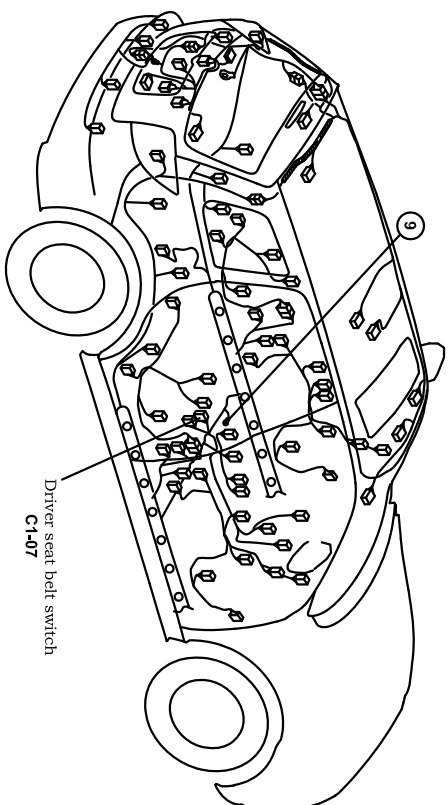
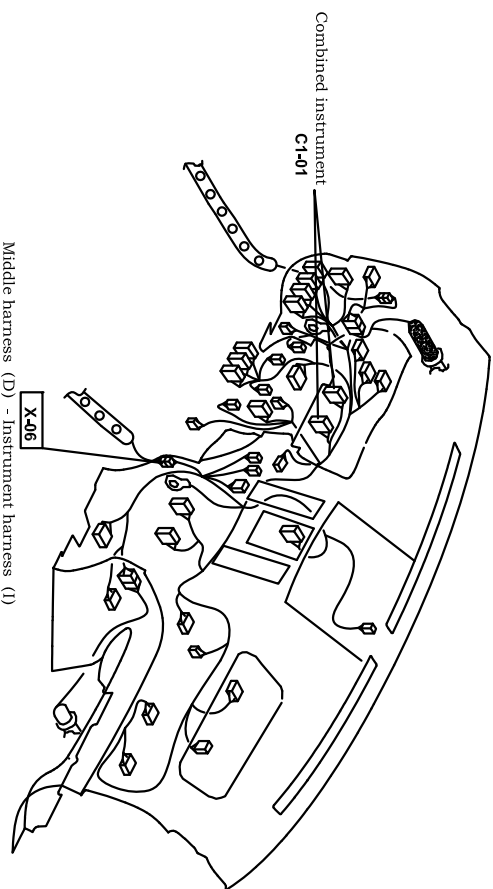


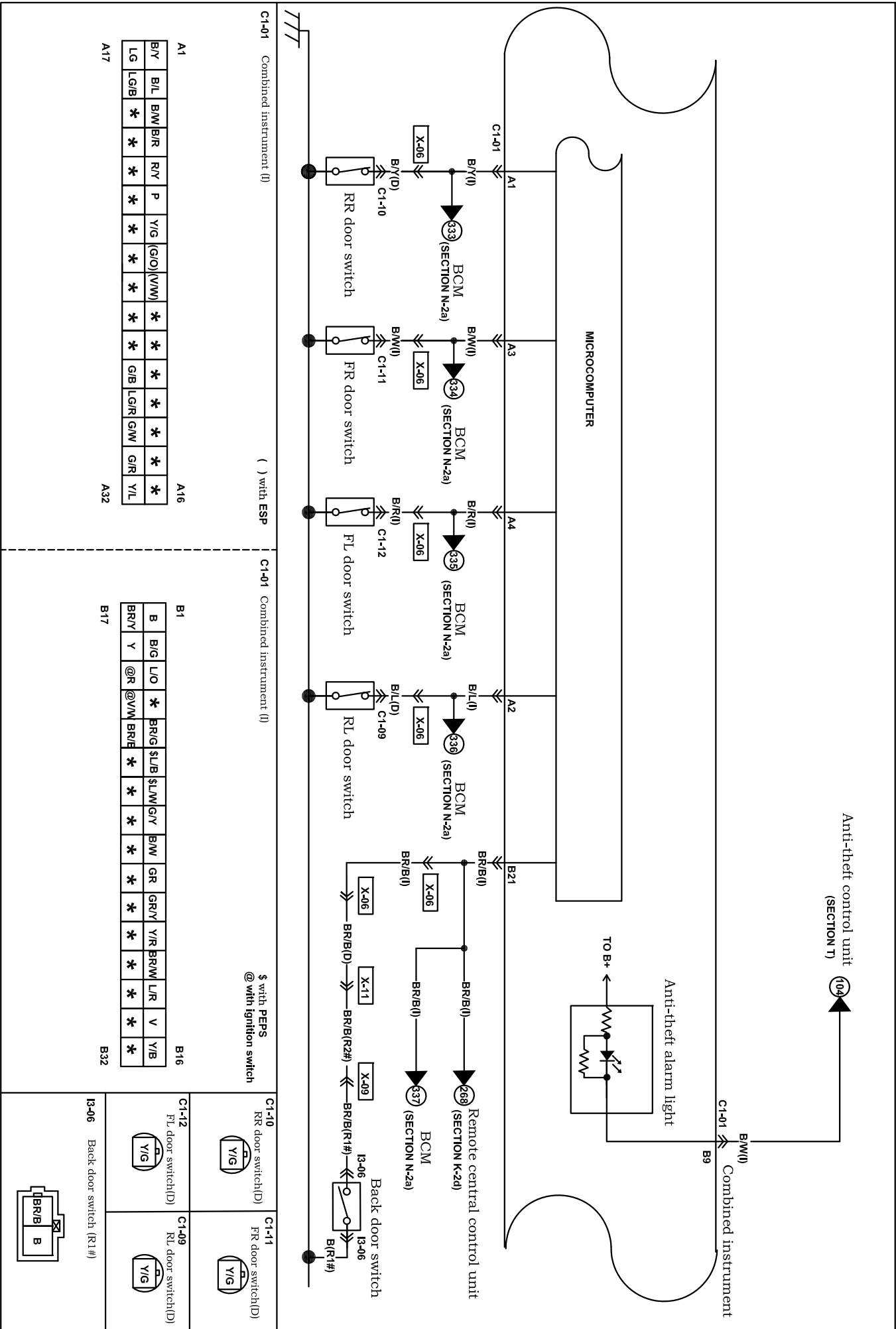
Harness mark:  (F)  (E)  (D)  (R)











A17

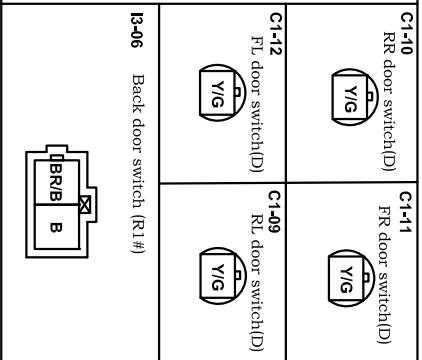
B/Y	B/L	B/W	B/R	R/Y	P	Y/G	G/O	V/W	*	*	*	*	*	*	*	*	*
LG	L/G/B	*	*	*	*	*	*	*	*	*	*	*	*	*	*	*	*

A32

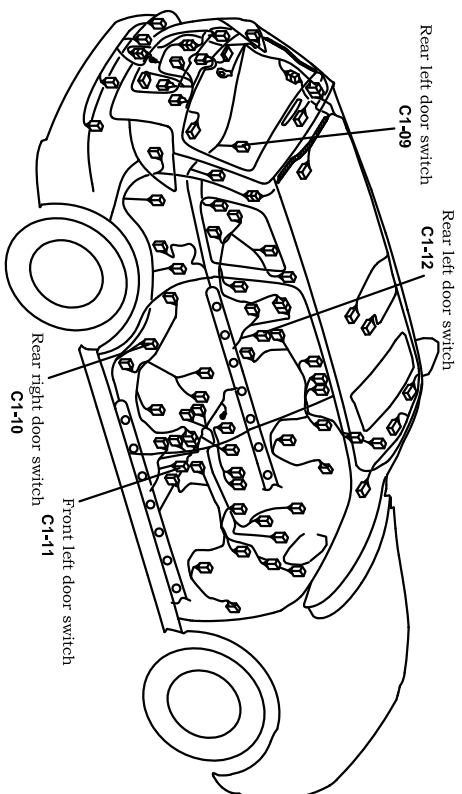
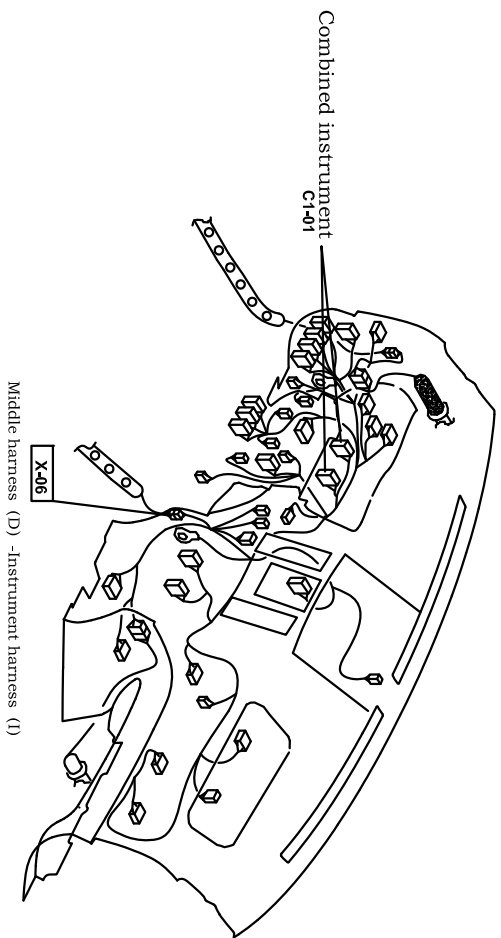
B17

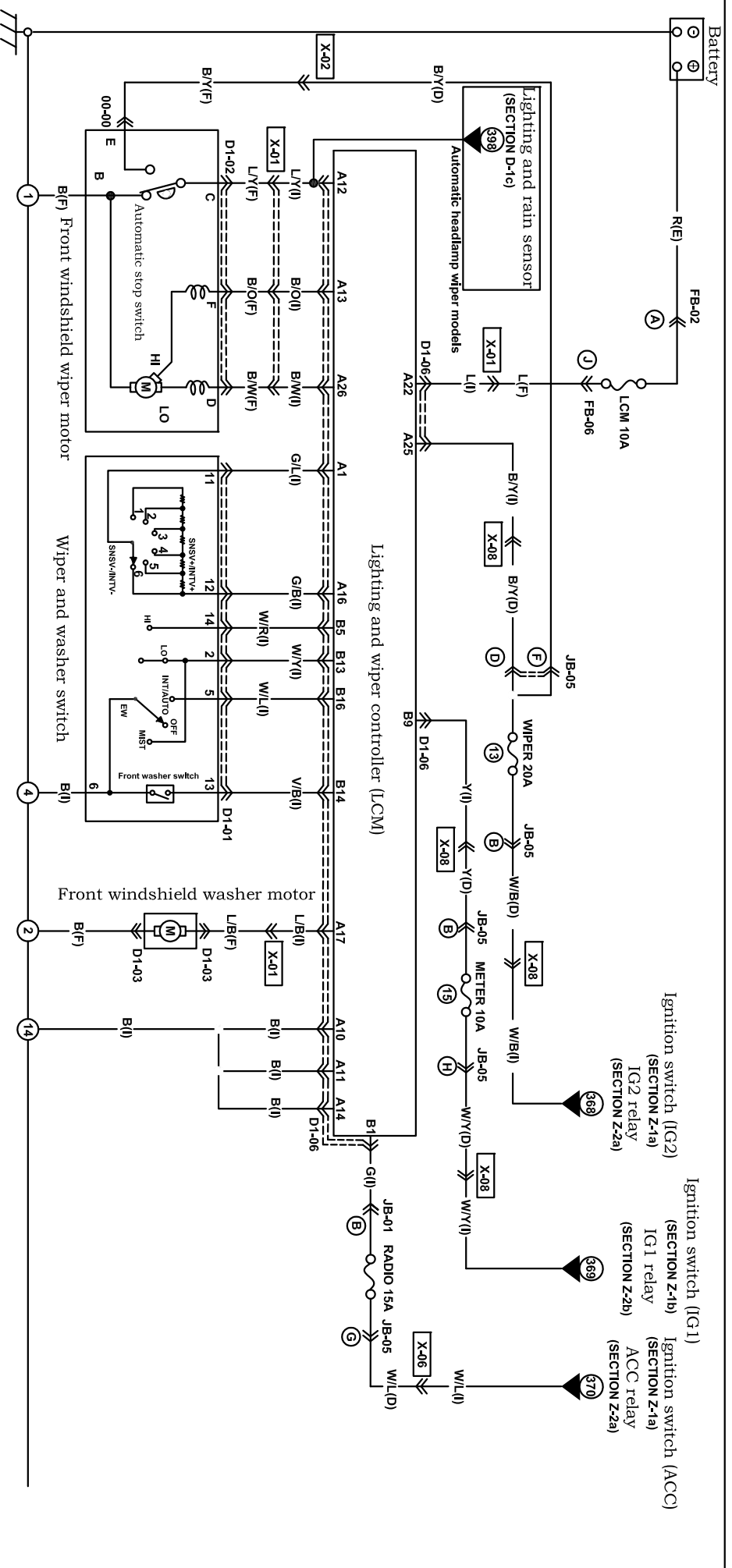
B	B/G	L/O	*	B/R/G	\$L/B	\$L/W	G/Y	B/W	GR	GRY	Y/R	BR/W	L/R	V	Y/B
BR/Y	Y	@R	@V/W	BR/E	*	*	*	*	*	*	*	*	*	*	*

B32



Harness mark:  (F)  (E)  (D)  (R)





8	V/G	B	W/L	P	V/R	W/Y	1
*	W/R	V/B	G/B	G/L	*	*	9

**D1-02** Front windshield wiper motor (F)

F	B/Y	L/Y	*
A	B/O	B/W	B

**D1-03** Front windshield washer motor (F)

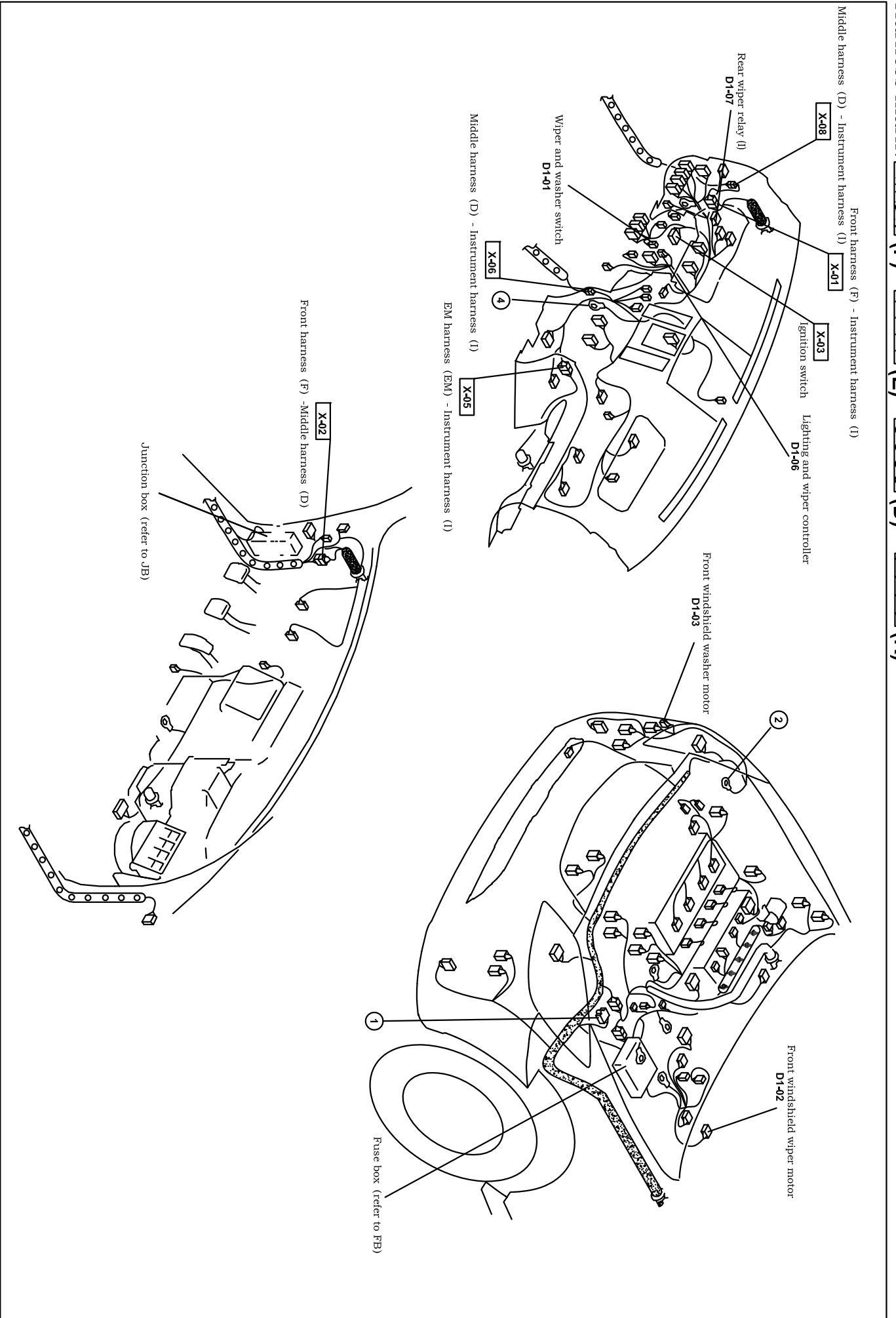
*	B	L/B
---	---	-----

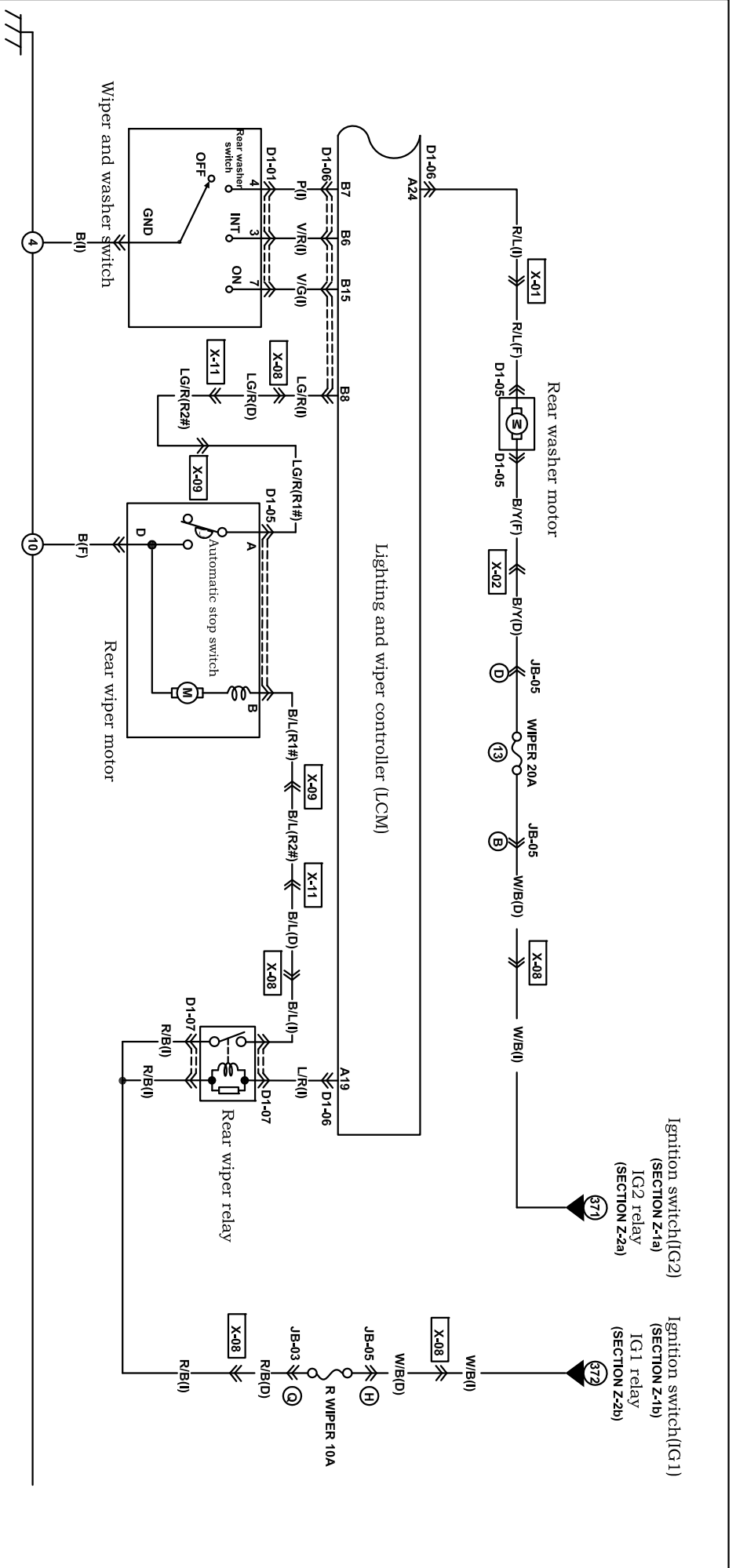
**D1-06** Lighting and wiper controller (I)

A13	B/O	L/Y	B	L/O	V/G	L/G	P/L	\$/L/Y	BR	\$G	G/O	G/L	A1
A26	B/W	B/Y	R/L	V	L	GR	\$/G/R	L/R	G/B	G/W	B	A14	

**D1-06** Lighting and wiper controller (I)

B8	LG/R	P	V/R	W/R	L/R	L/Y	L	G	B1
B16	W/L	V/G	V/B	W/Y	L/W	LG	L/B	Y	B9





8	V/G	B	W/L	P	V/R	W/Y
*	*	W/R	V/B	G/B	G/L	*
16						9

**D1-04** Rear-window wiper motor

*	LG/R
B	B/L

**D1-05** Rear-window washer motor (F)

B/Y
R/L

**D1-07** Rear wiper relay (I)

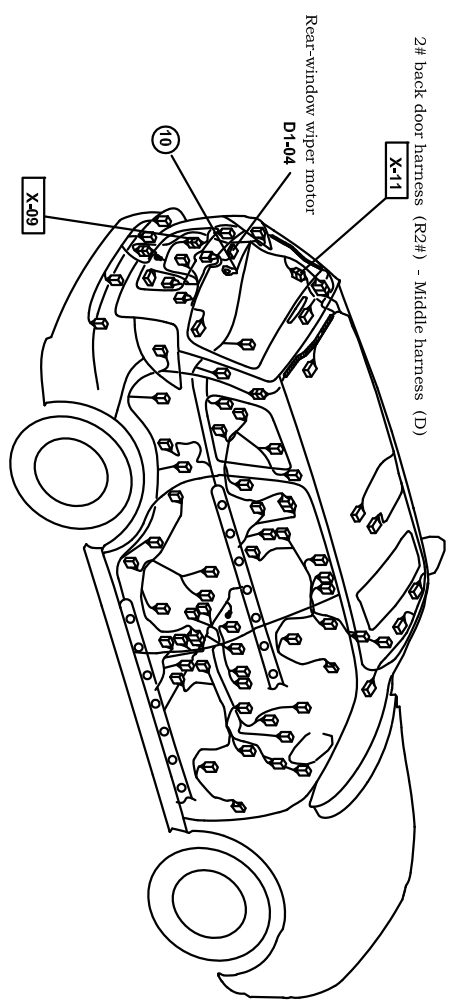
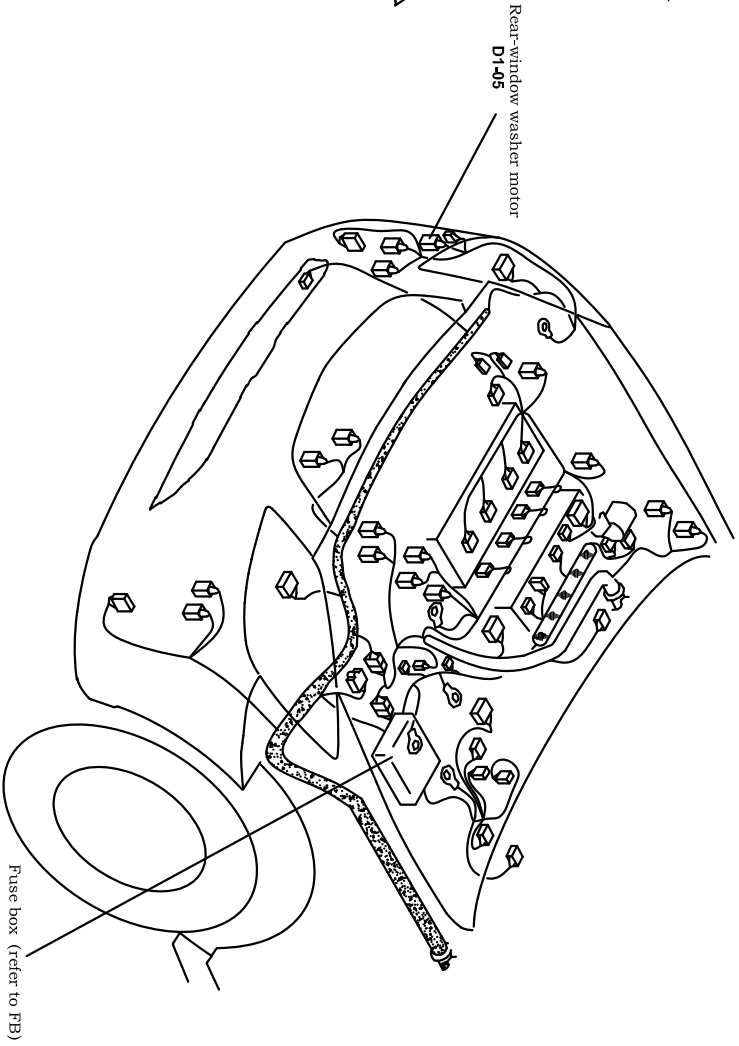
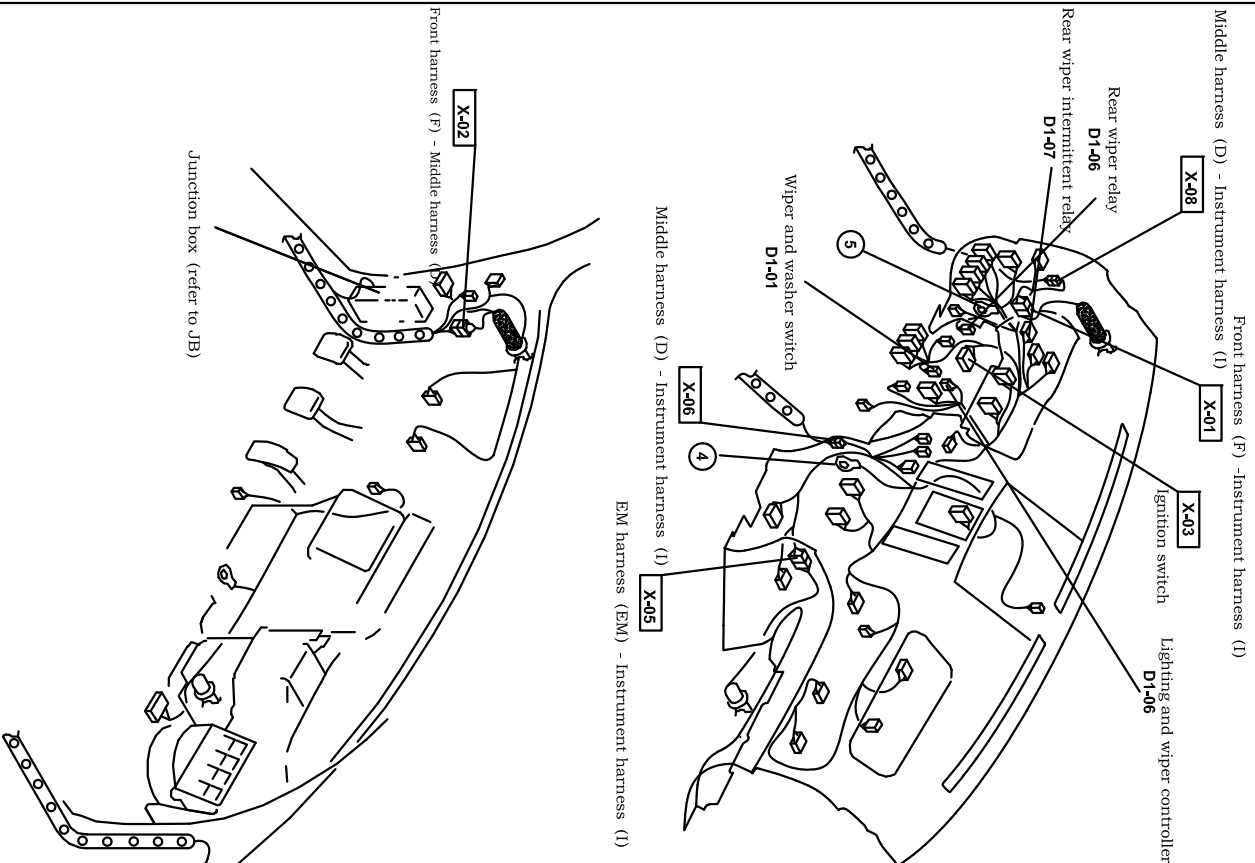
**D1-06** Lighting and wiper controller (I)

A13	B/O	L/Y	B	B	L/O	V/G	L/G	P/L	*	BR	*	G/O	G/L
A26	B/W	B/Y	R/L	V	L	GR	*	L/R	LG/R	L/B	G/B	G/W	B
A14													

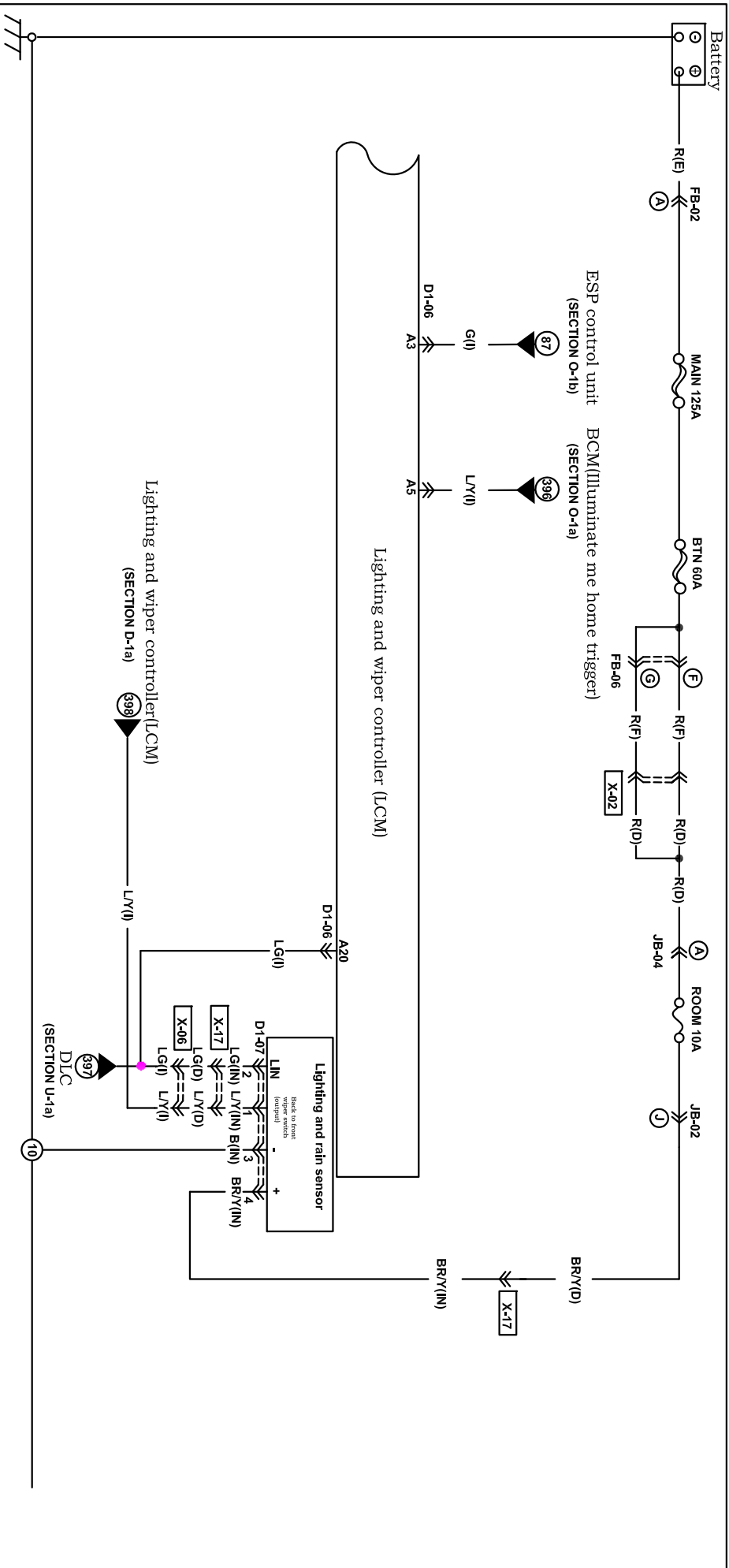
**D1-06** Lighting and wiper controller (I)

B1	G	L	L/Y	L/R	W/R	V/R	P	LG/R	B8
B9	Y	L/B	LG	L/W	W/Y	V/B	V/G	W/L	B16

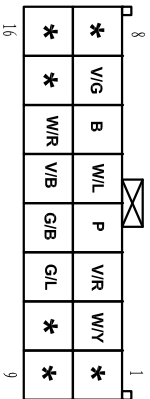
Harness mark: (F) (E) (D) (R)



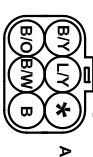




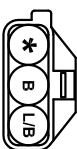
D1-01 Wiper and washer switch (I)



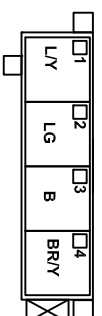
D1-02 Front windshield wiper motor (F)



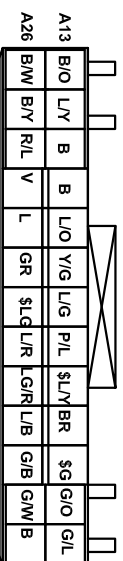
D1-03 Front windshield washer motor (F)



D1-07 Lighting and rain sensor (IN)

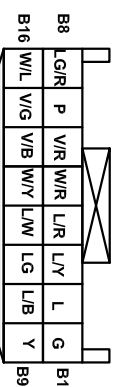


D1-06 Lighting and wiper controller (I)

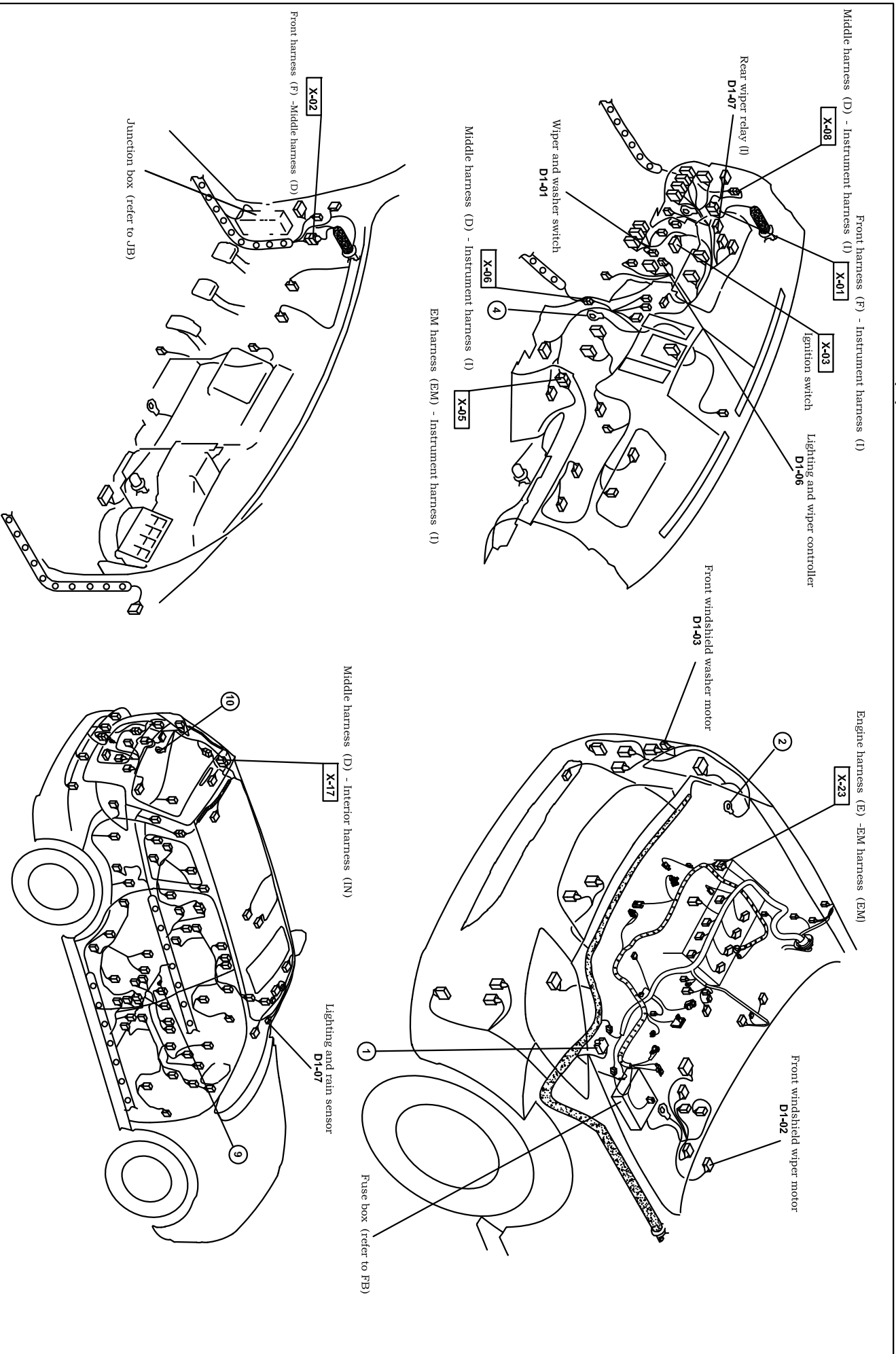


\$Automatic headlamp wiper models

D1-06 Lighting and wiper controller (I)

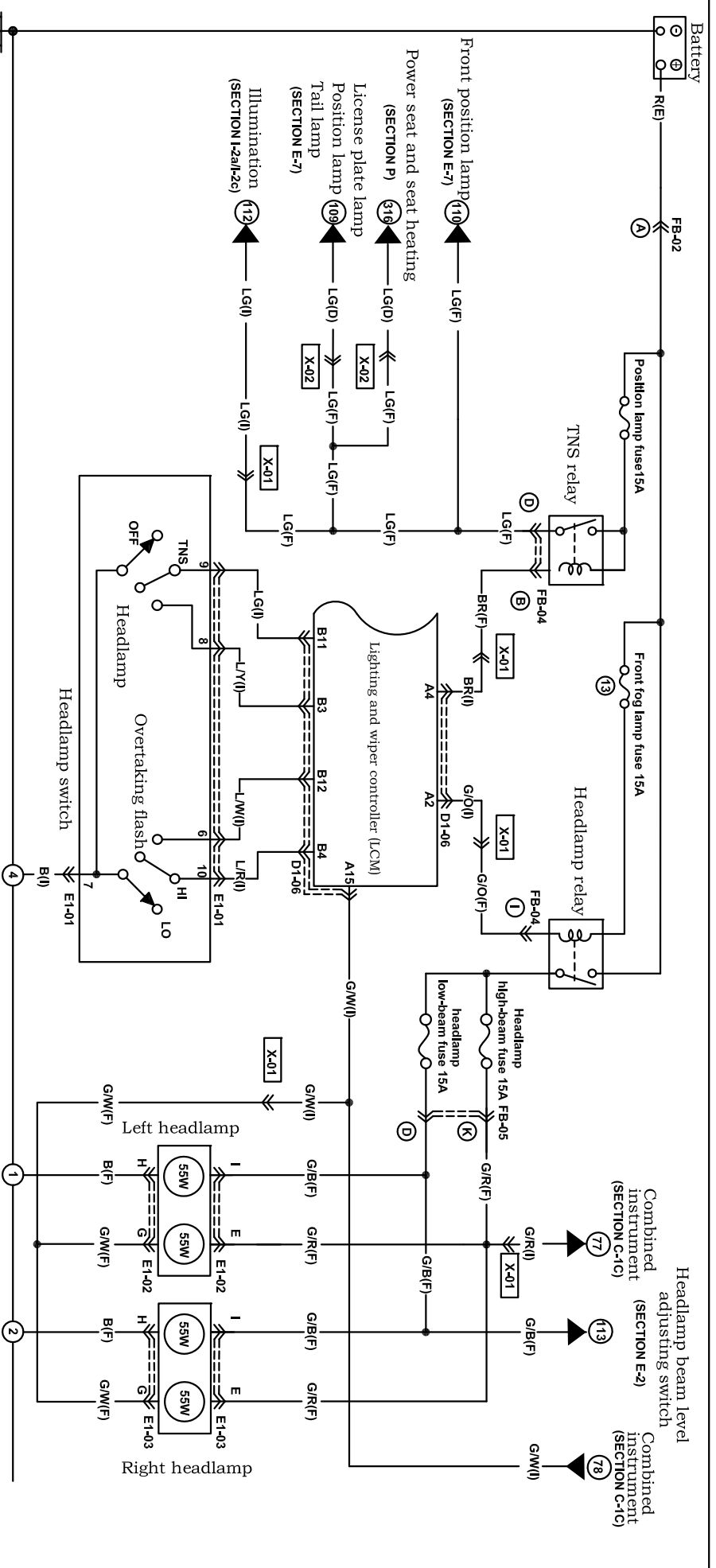


Harness mark:  (F)  (E)  (D)  (R) 



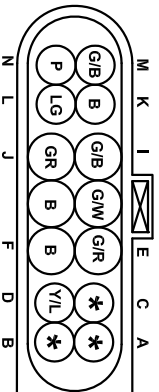
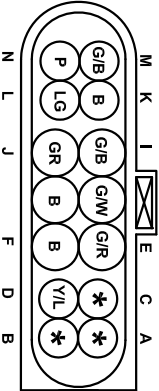
# Headlamp


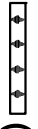


# E-1



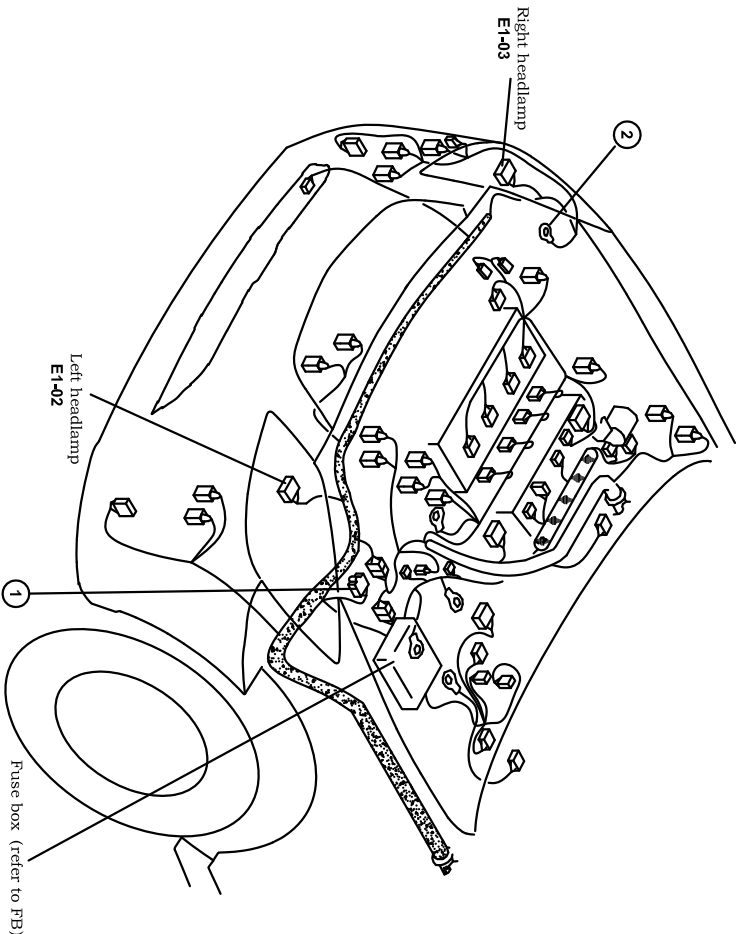
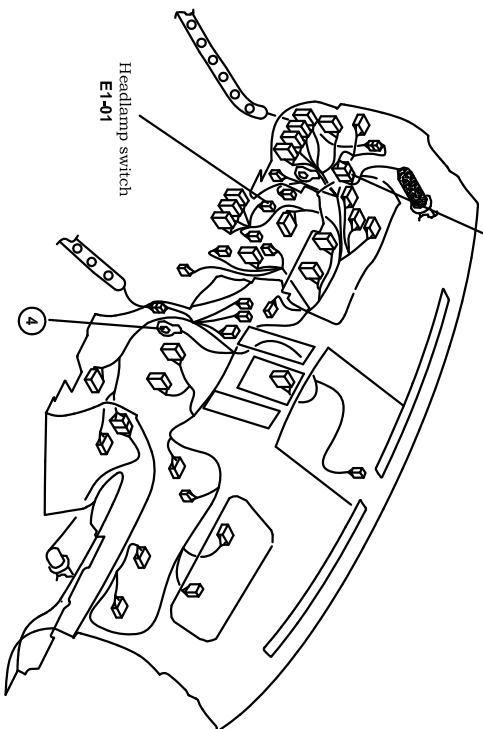
E1-01 Headlamp switch (I)

6	LW	* L/O	L/G	L/B	L	1
12	*	L/R	L/G	L/Y	B	7

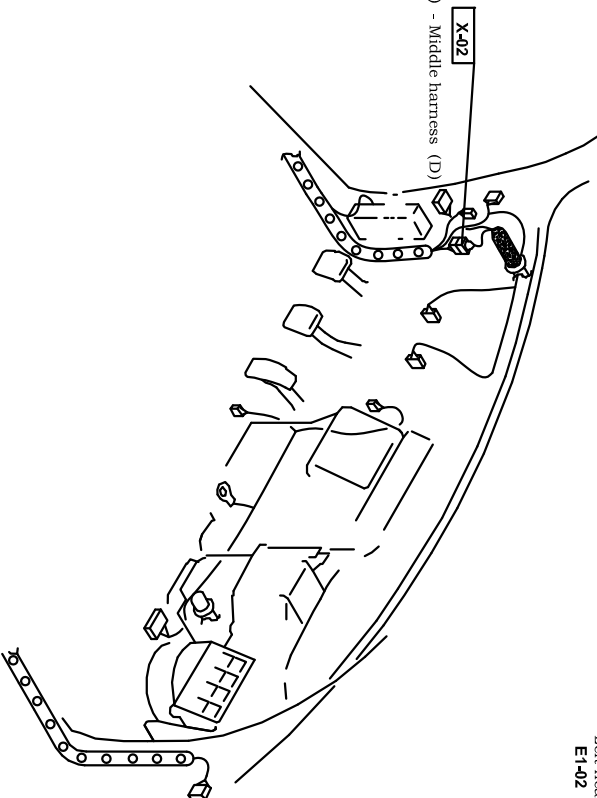


Harness mark:  (F)  (E)  (D)  (R)

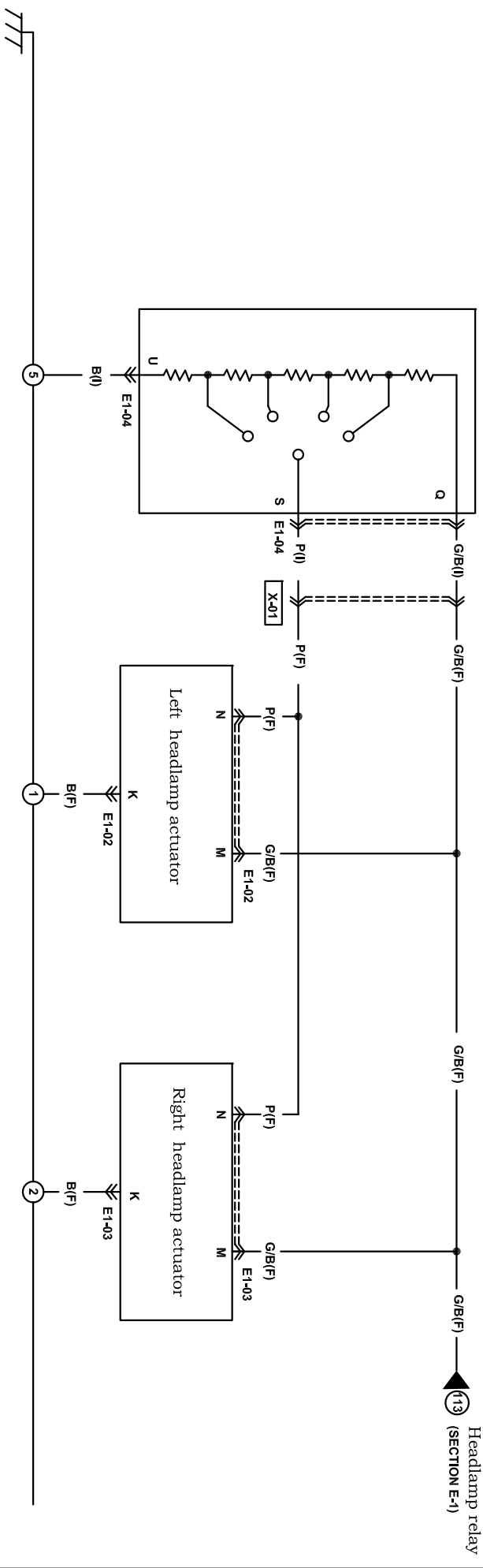
Front harness (F) - Instrument harness (I)



Front harness (F) - Middle harness (D)



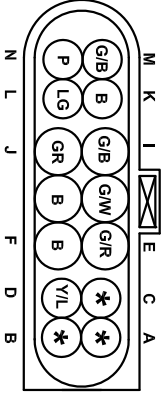
Headlamp beam level adjusting switch



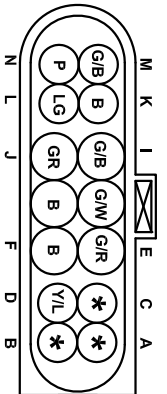
E1-01 Headlamp switch (D)

6	L/W	*	L/O	L/G	L/B	L	1
12	*	*	L/R	LG	L/Y	B	7

E1-02 Left headlamp (F)

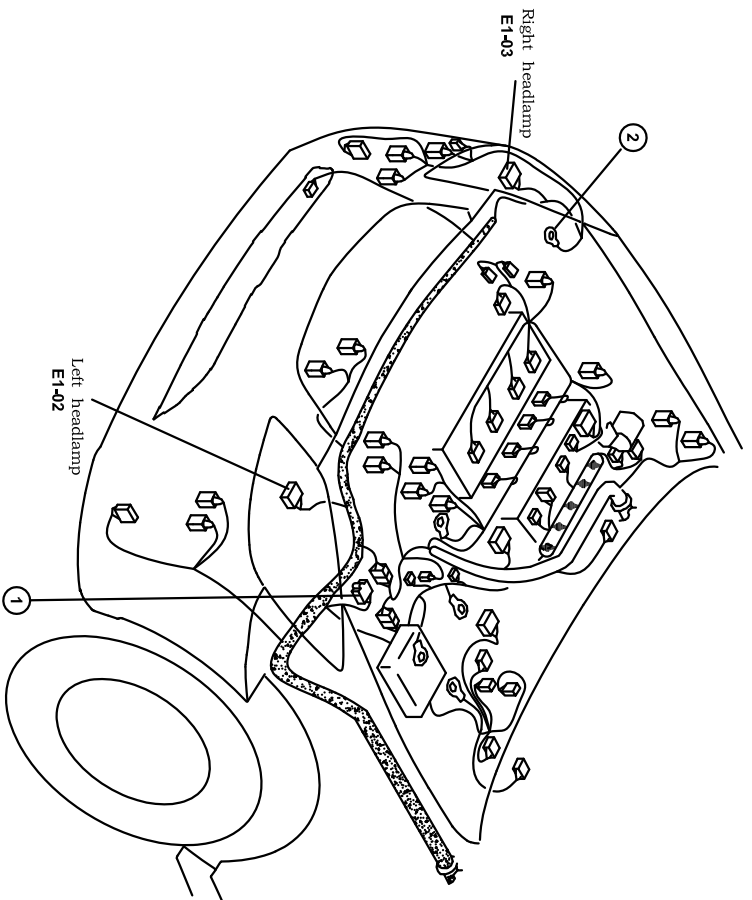
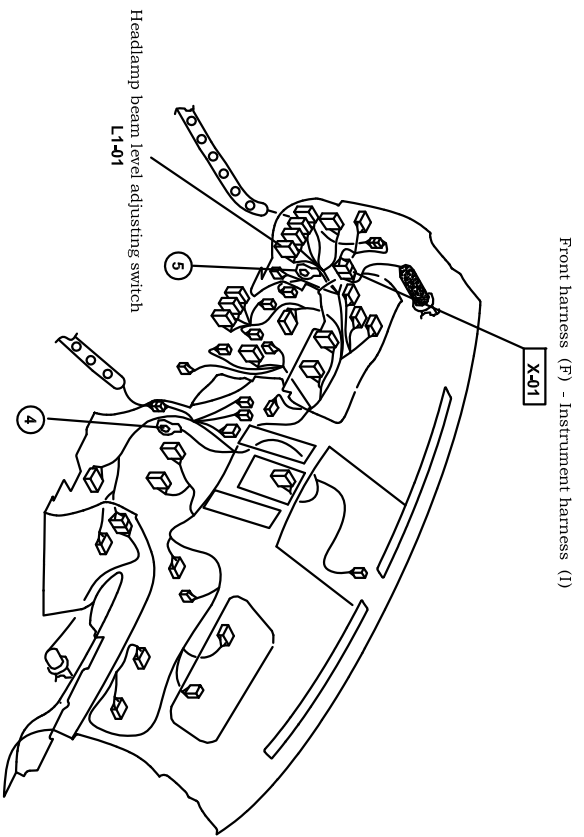


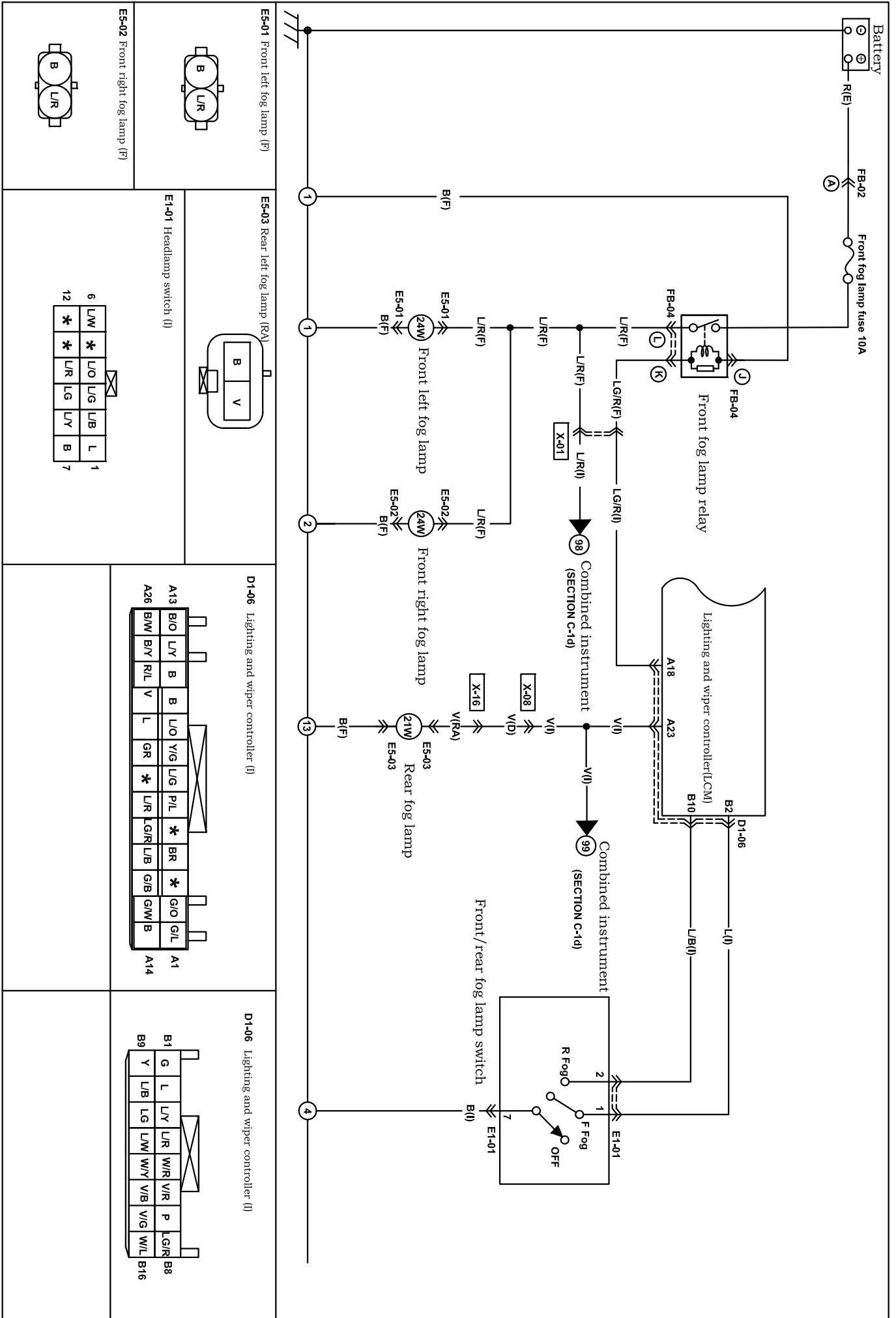
E1-03 Right headlamp (F)

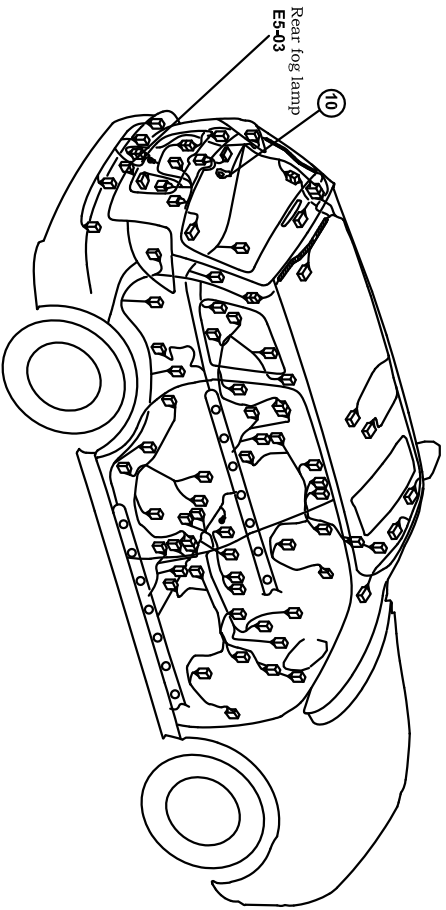
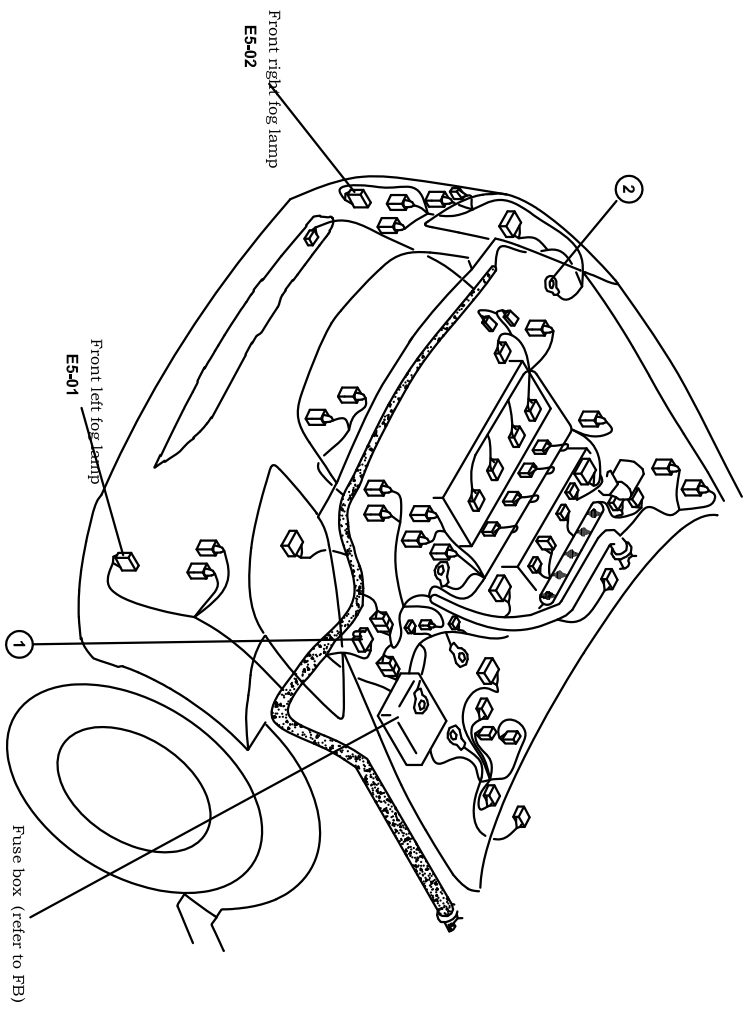
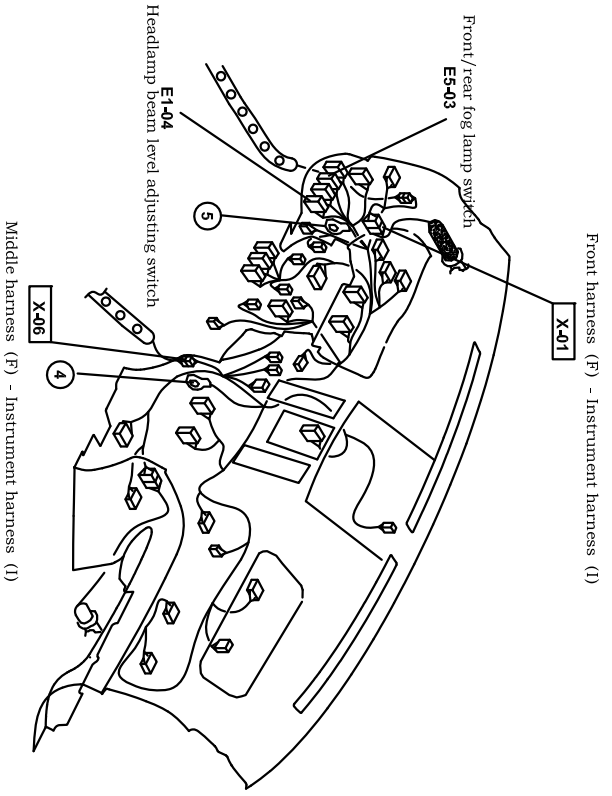


L1-01 Headlamp beam level adjusting switch (I)

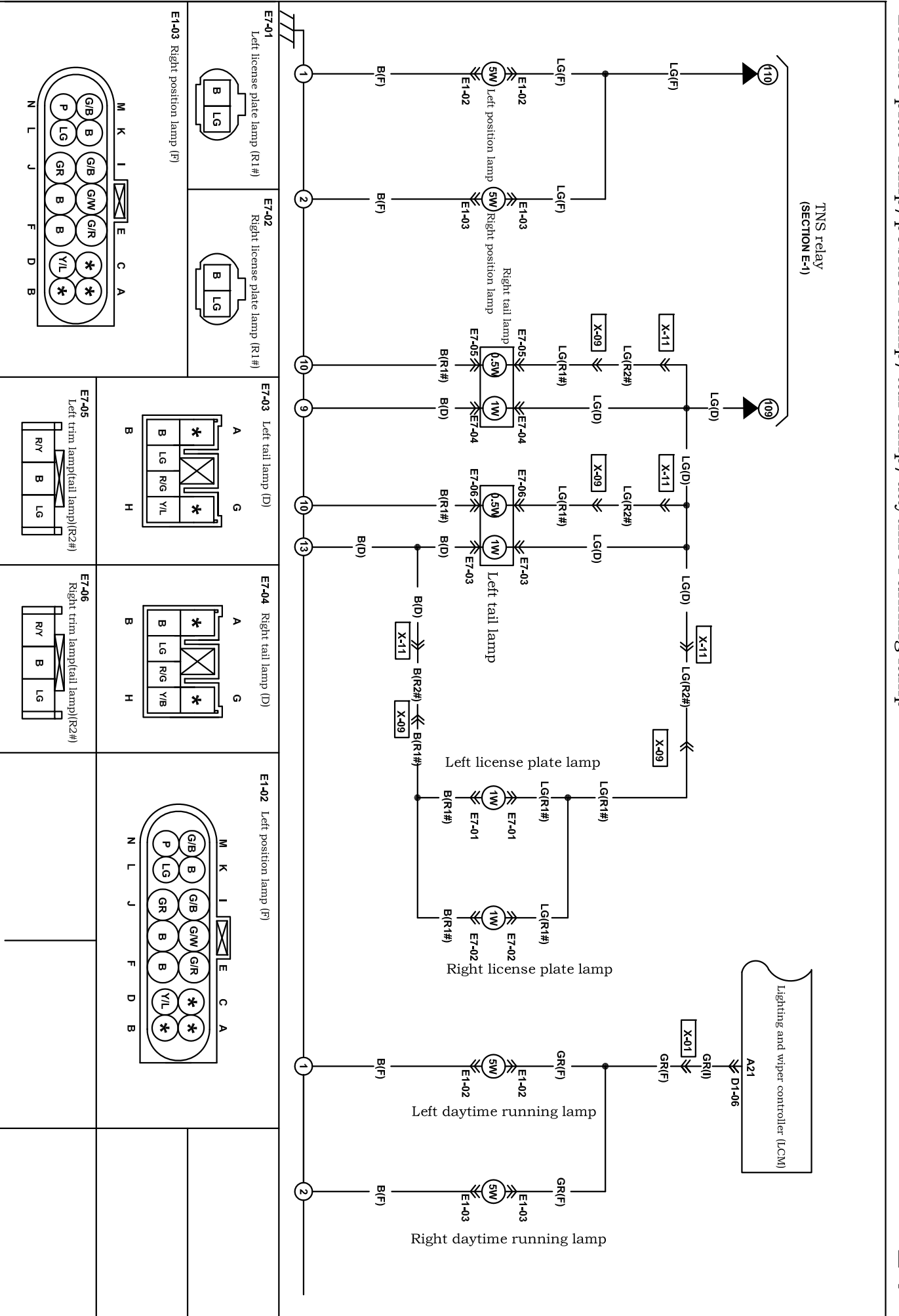
S	Q	O	M	K	I	G	E	C	A
R/B	LG	L/G	L/W	L	L/O	L/B	V	R/G	R/V
B	P	G/B	*P/L	W	*	*	*	*	B
T	R	P	N	L	J	H	F	D	B



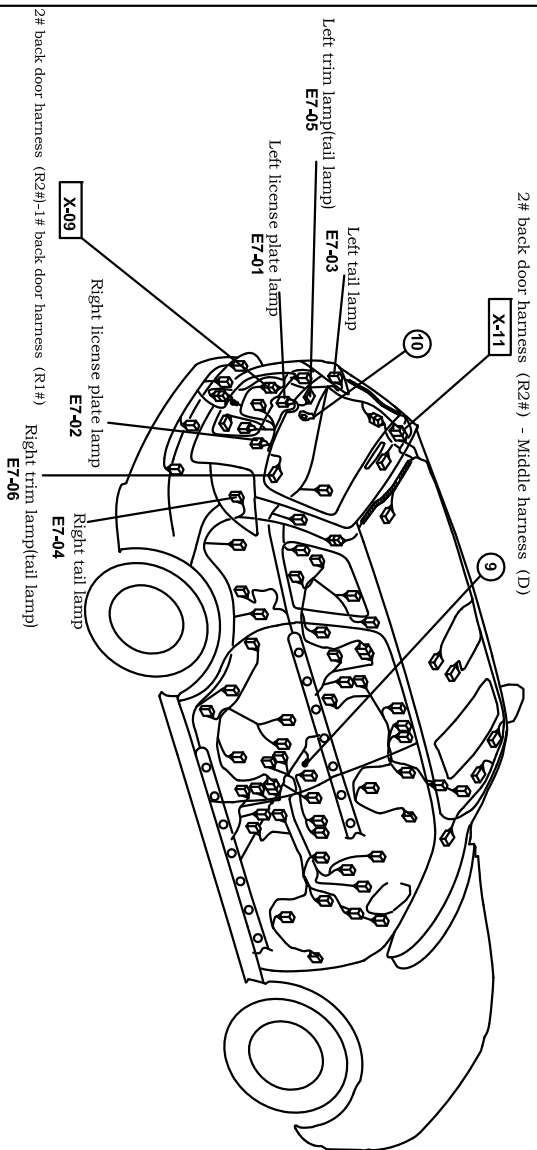
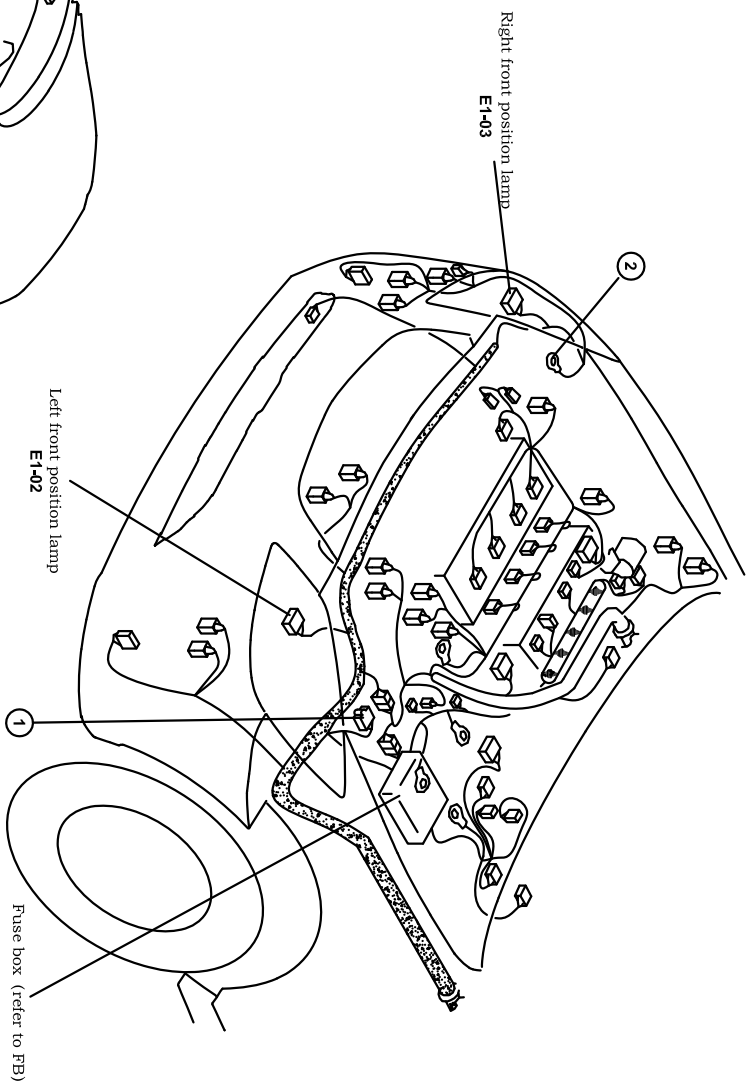






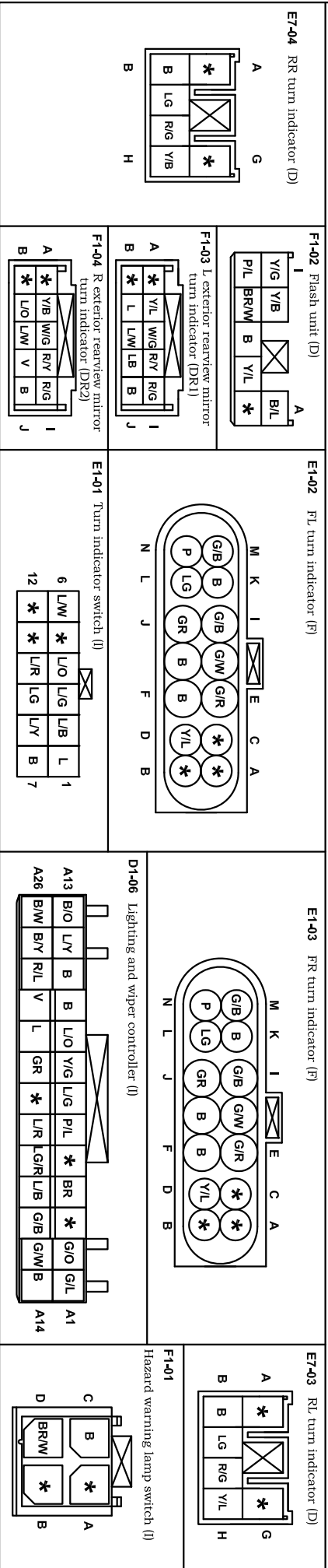
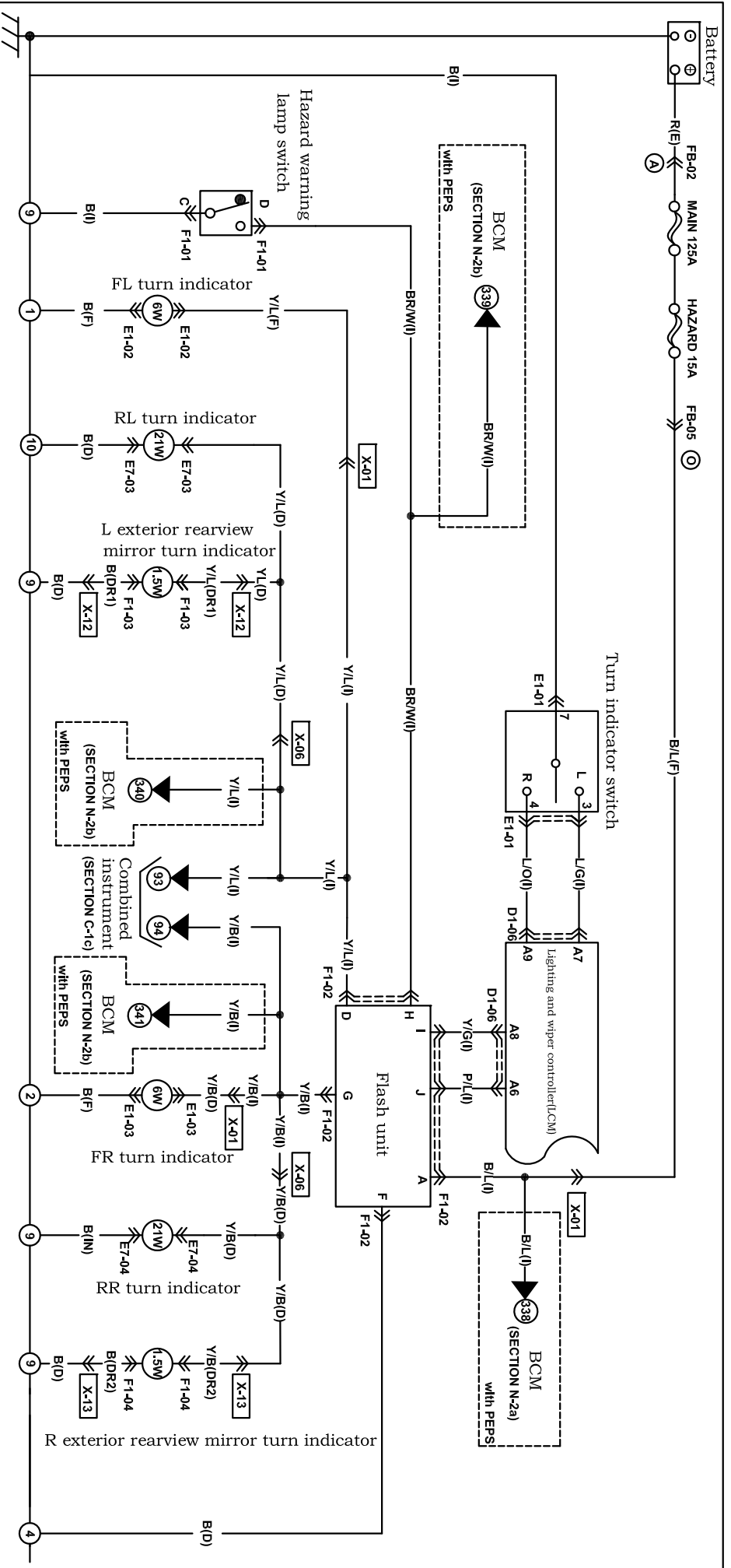


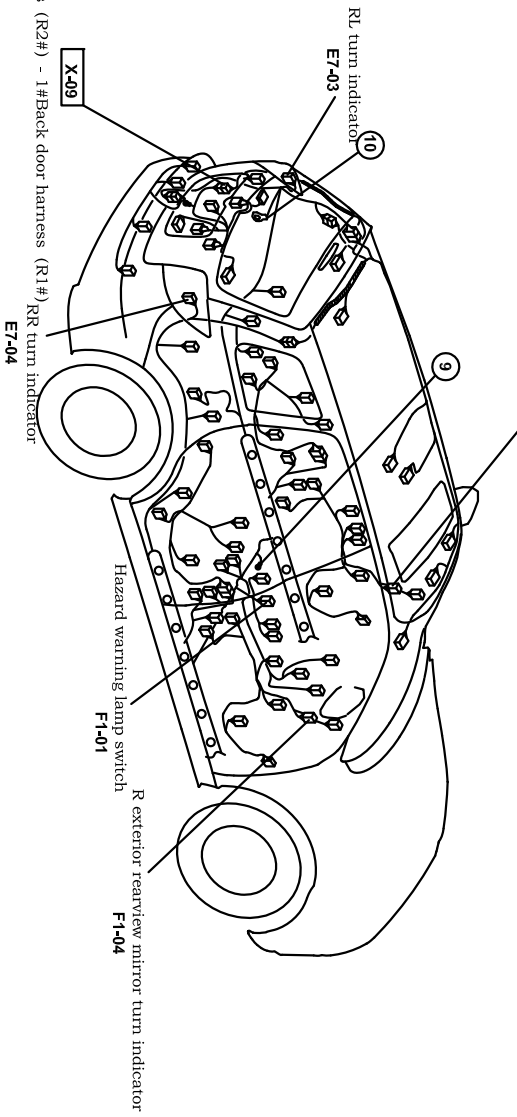
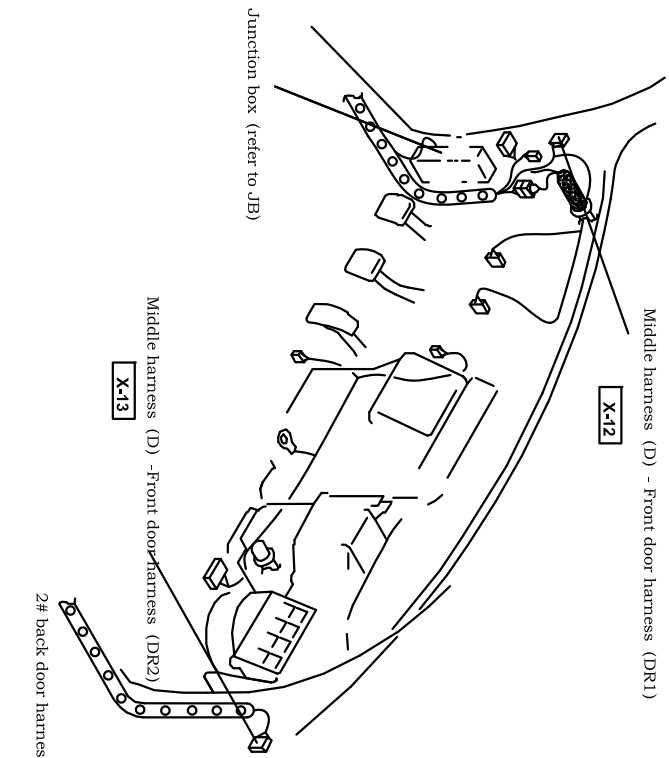
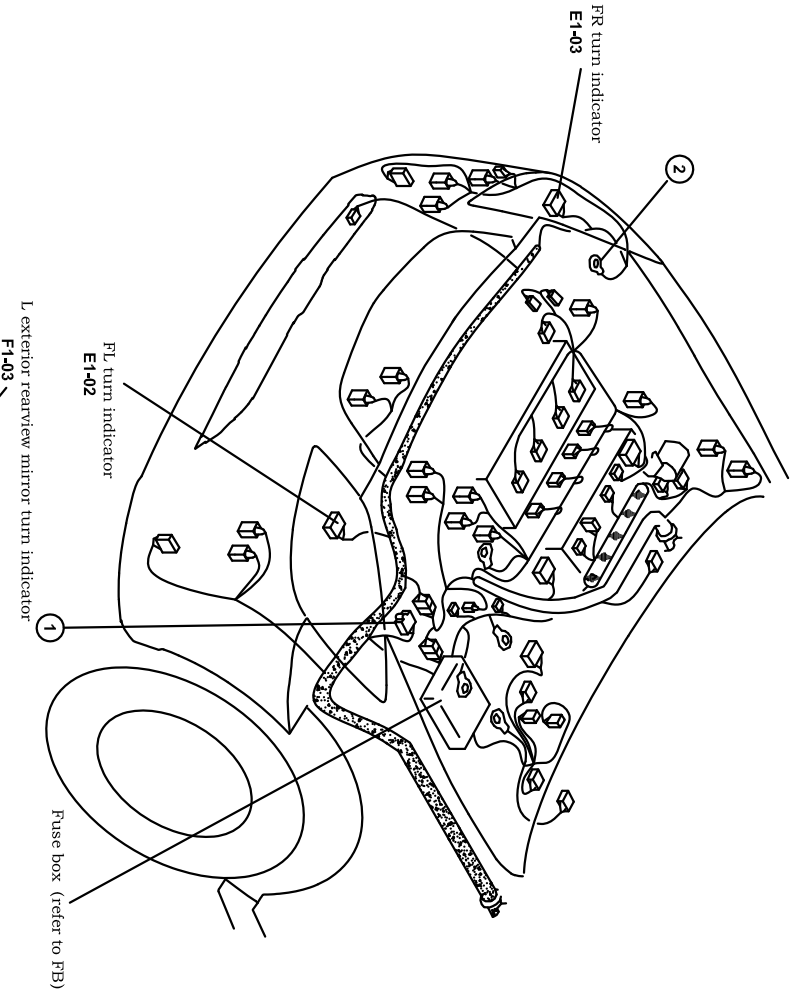
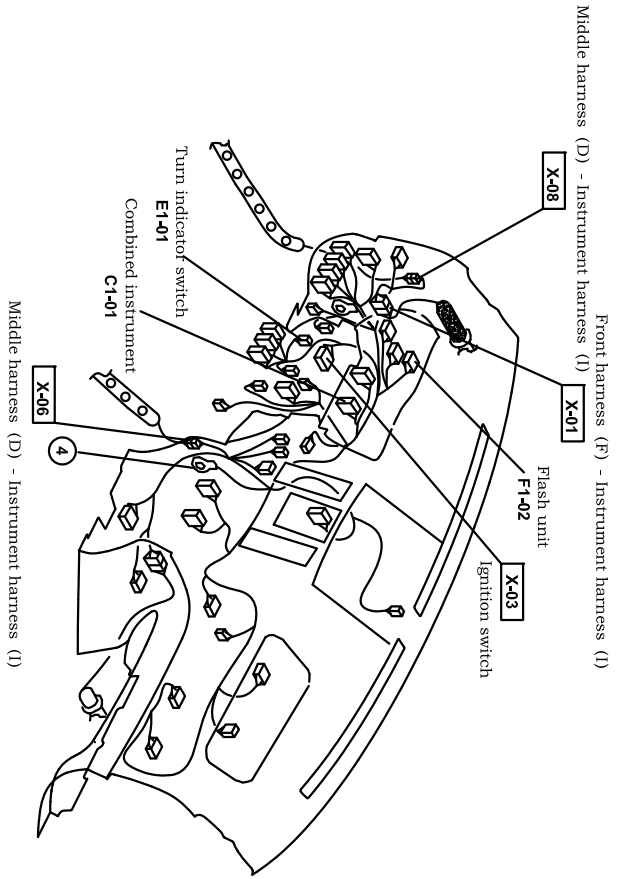
Harness mark:  (F)  (E)  (D)  (R)

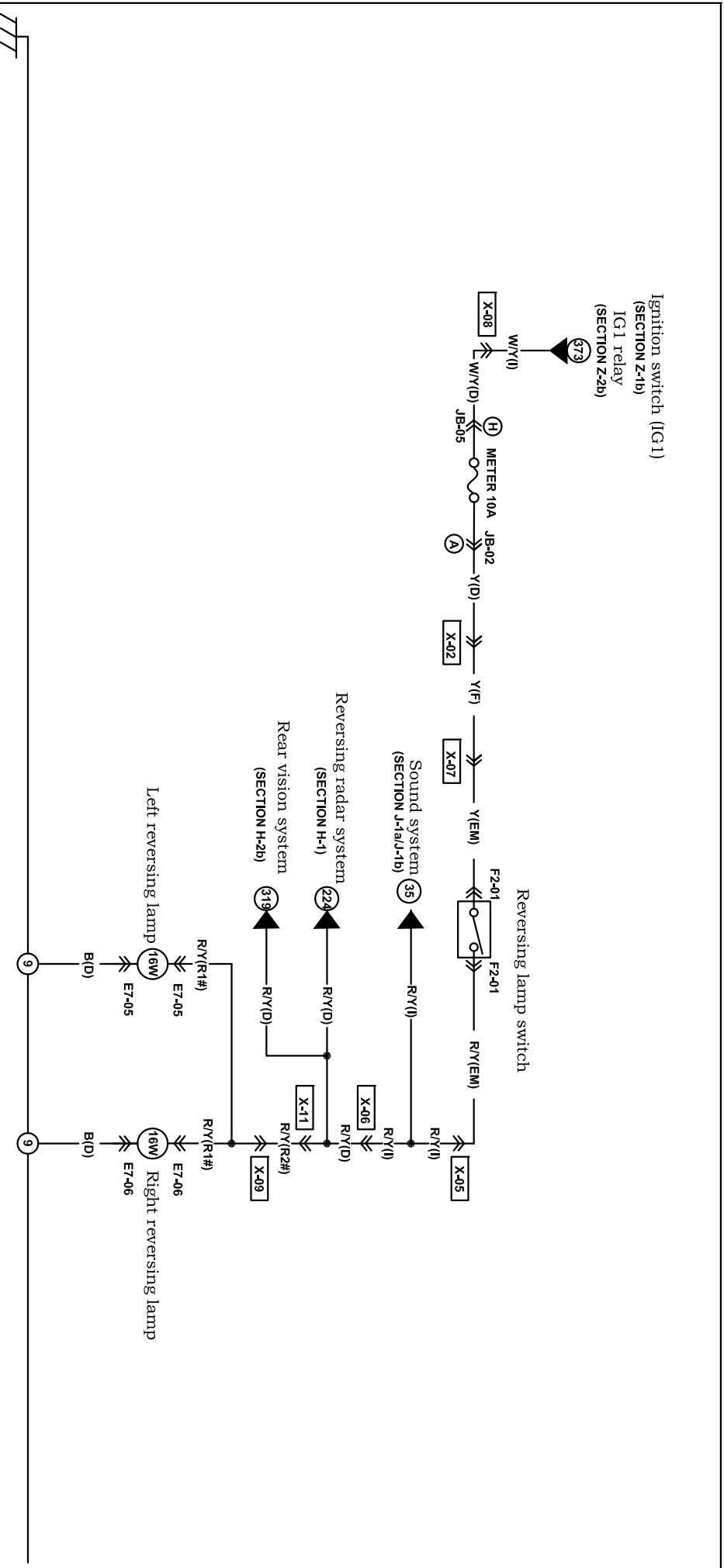


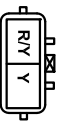


# Turn indicator and hazard warning lamp





F-1

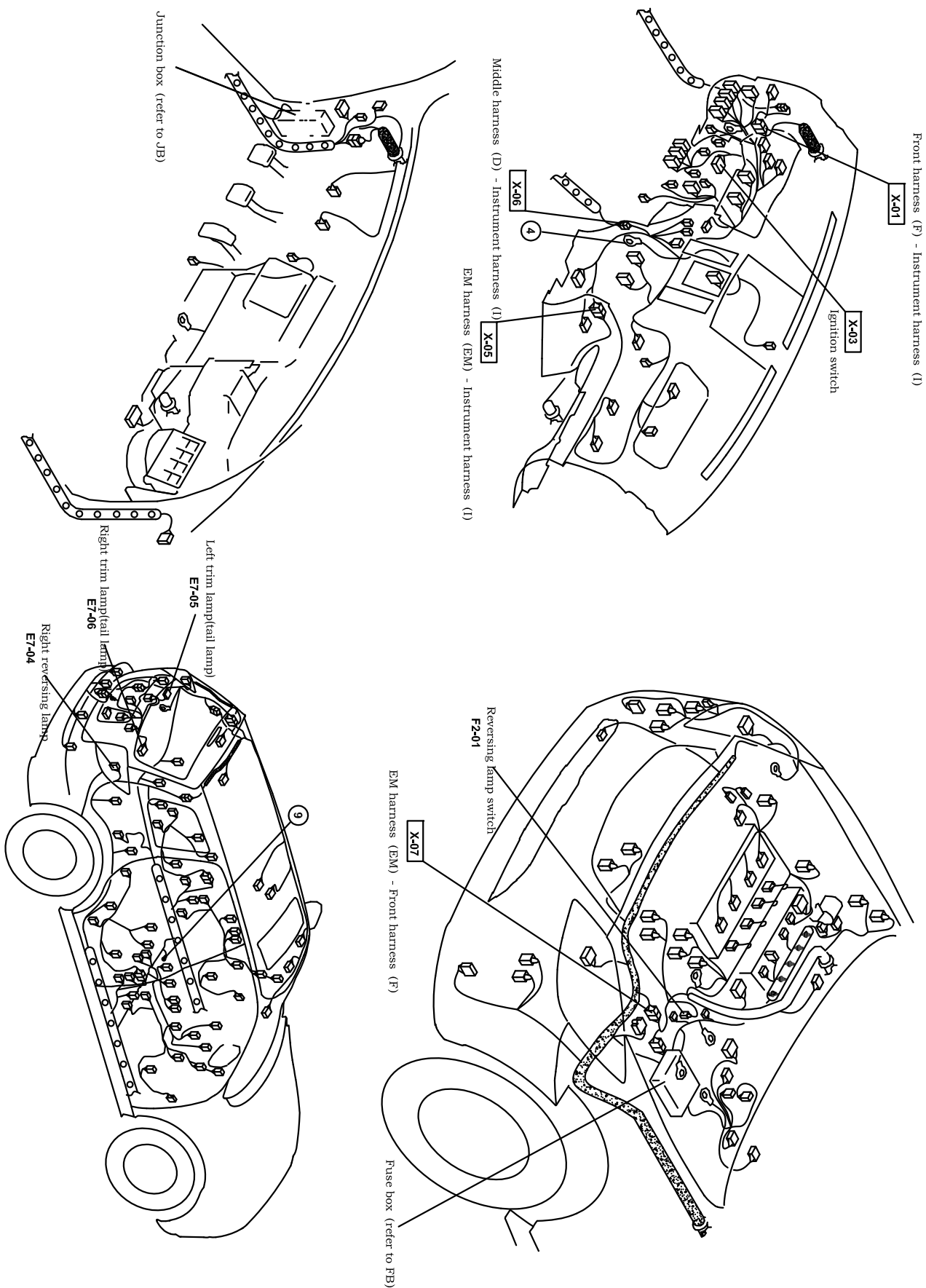




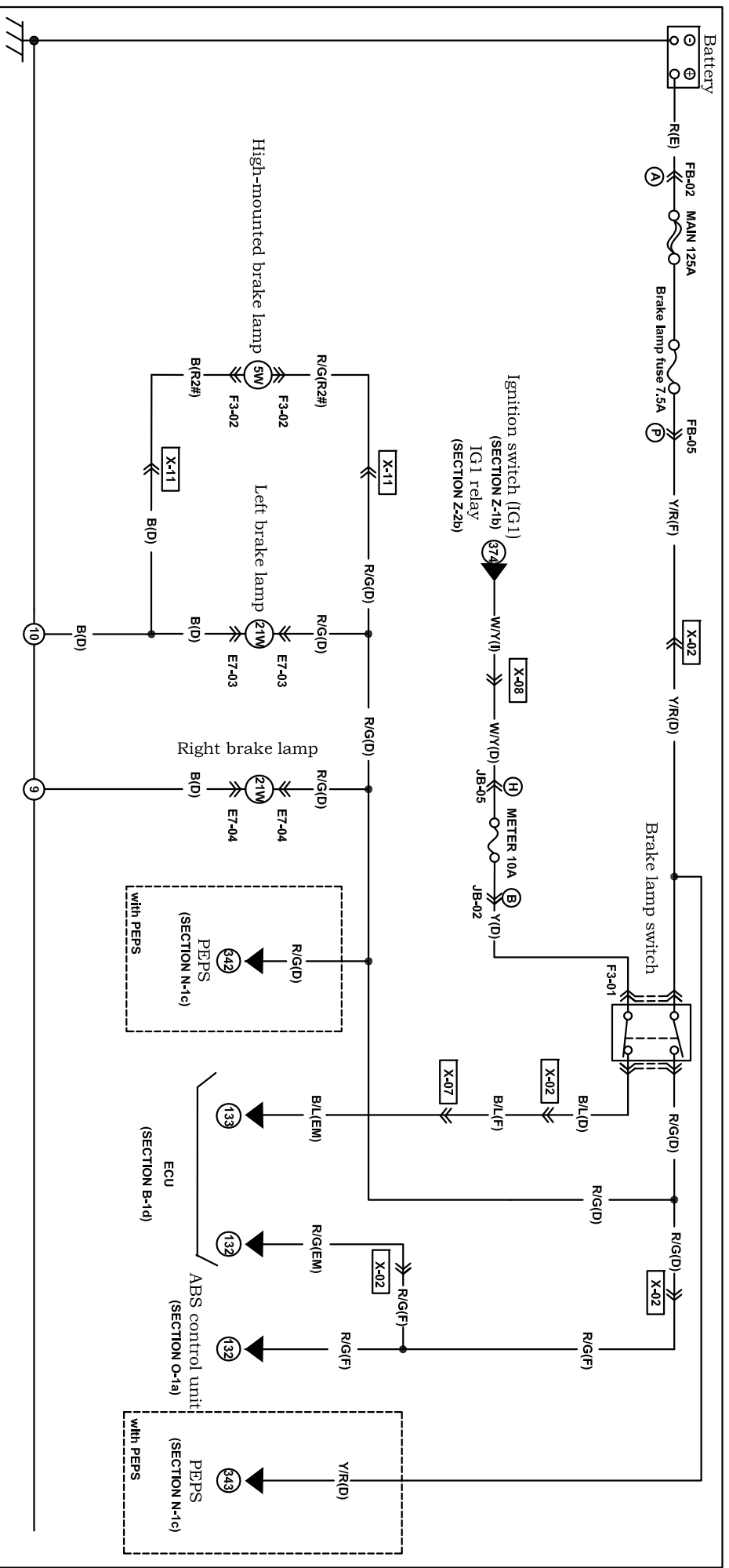


<p>F2-01 Reversing lamp switch (EM)</p> 	<p>E7-05 Left trim lamp/taillamp (R2#)</p> 	<p>E7-06 Right trim lamp/taillamp (R2#)</p> 							
---	--	---	--	--	--	--	--	--	--


Harness mark :  (F)  (E)  (D)  (R)

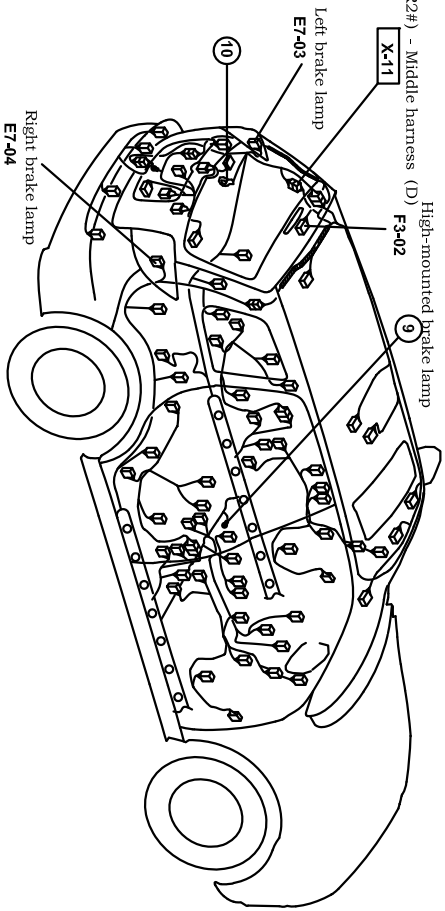
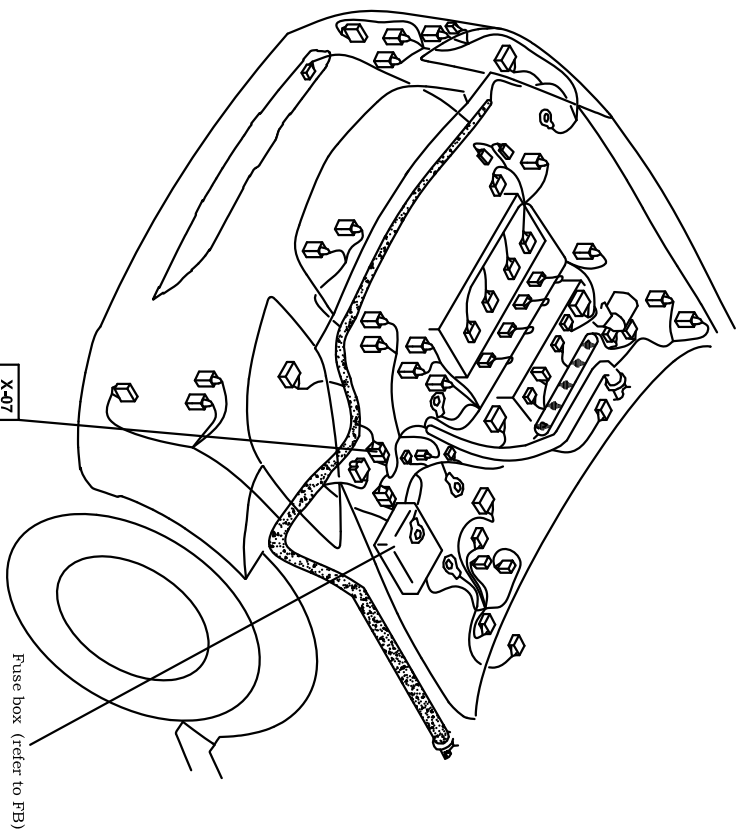
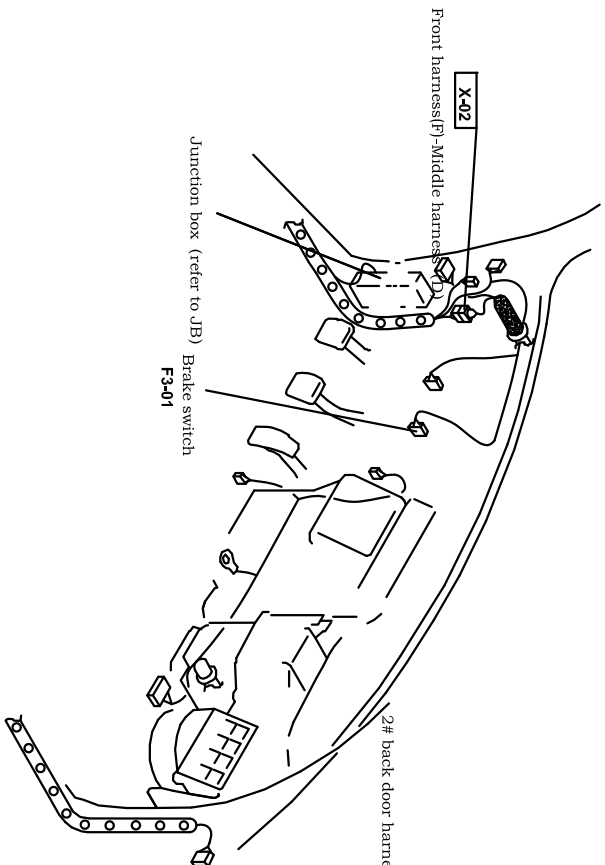
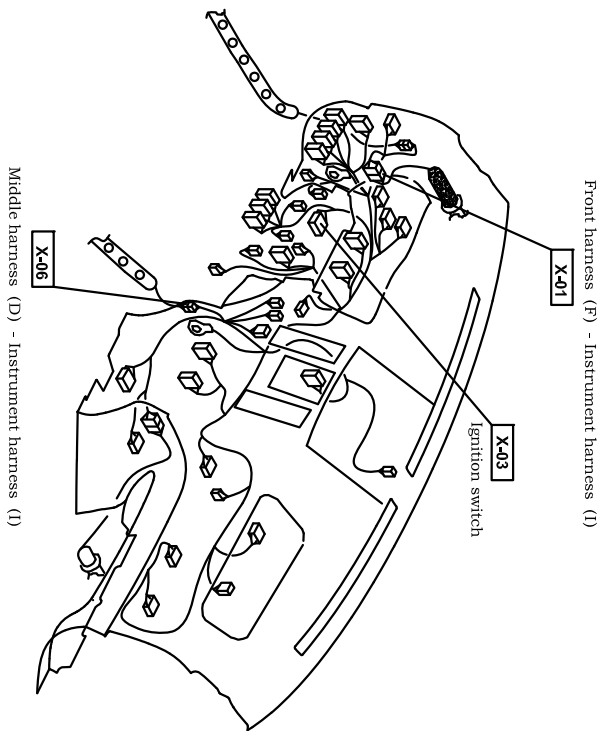


Brake lamp

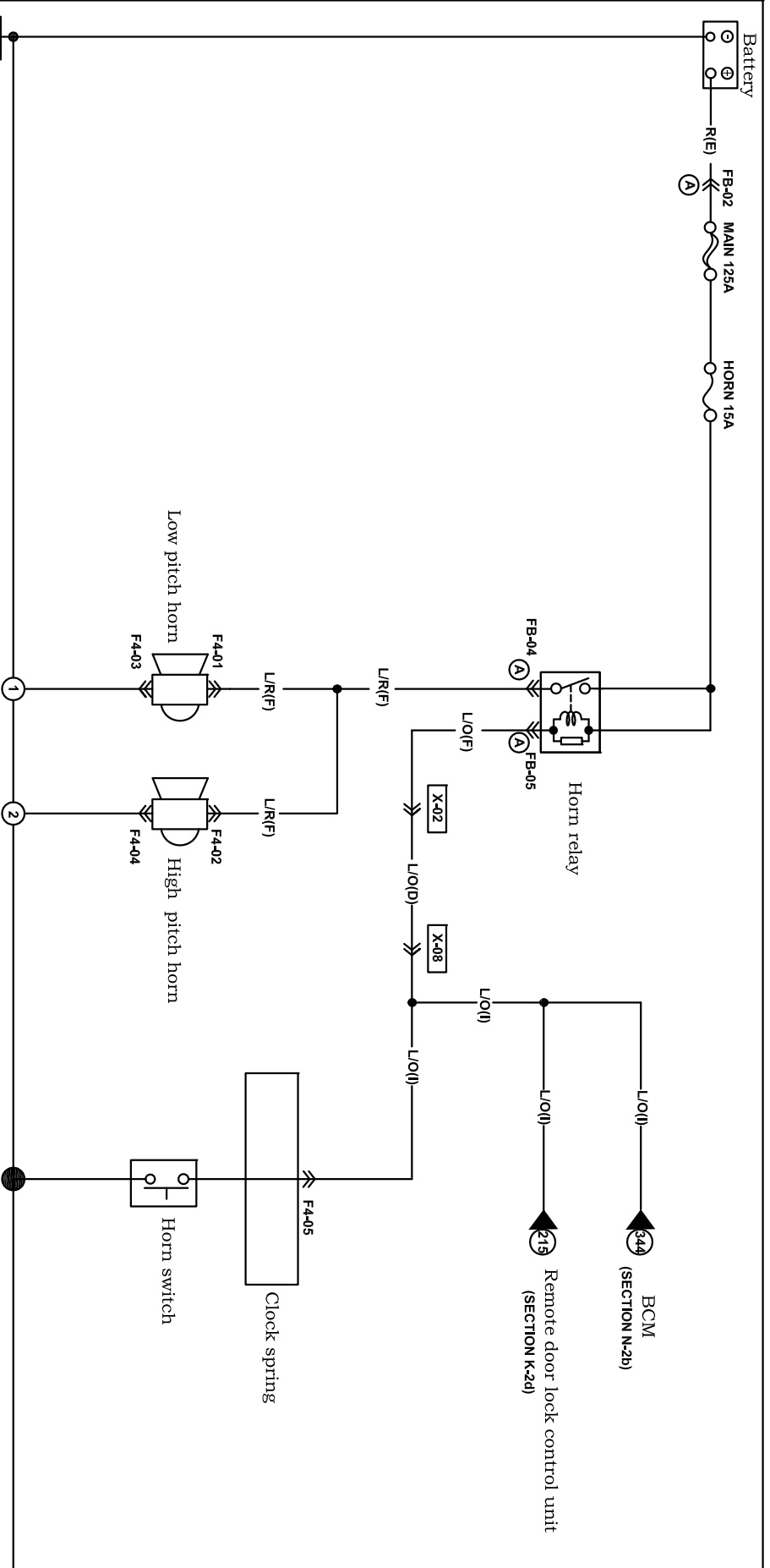


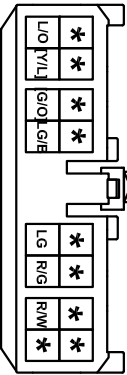
<p><b>F3-01</b> Brake switch (D)</p>	<p><b>F3-02</b> High-mounted brake lamp(R2#)</p>					
<p><b>E7-03</b> Left brake lamp(D)</p>	<p><b>E7-04</b> Right brake lamp(D)</p>					

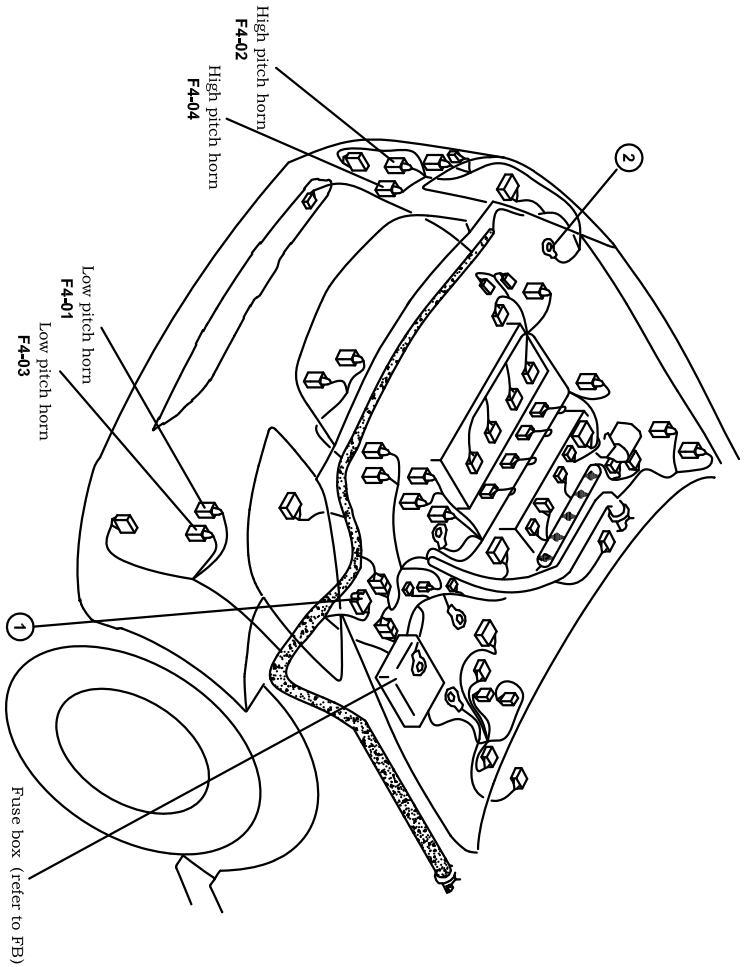
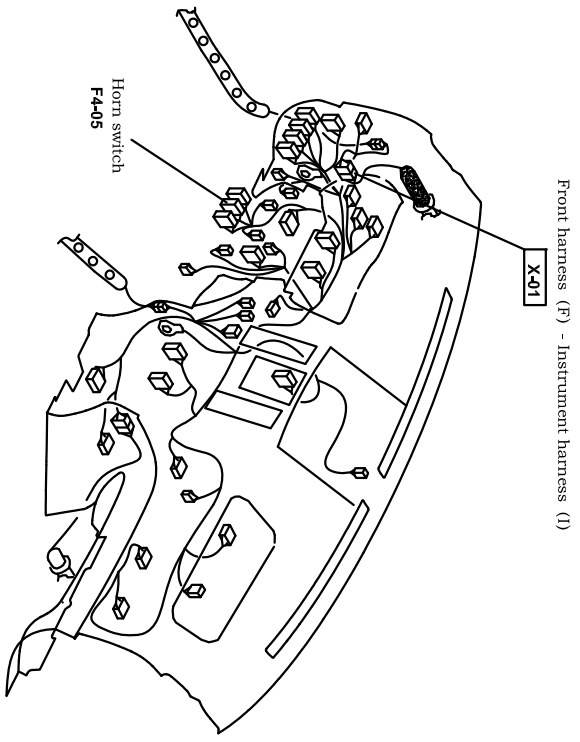
Harness mark :  (F) (D) (E) (I) (R)

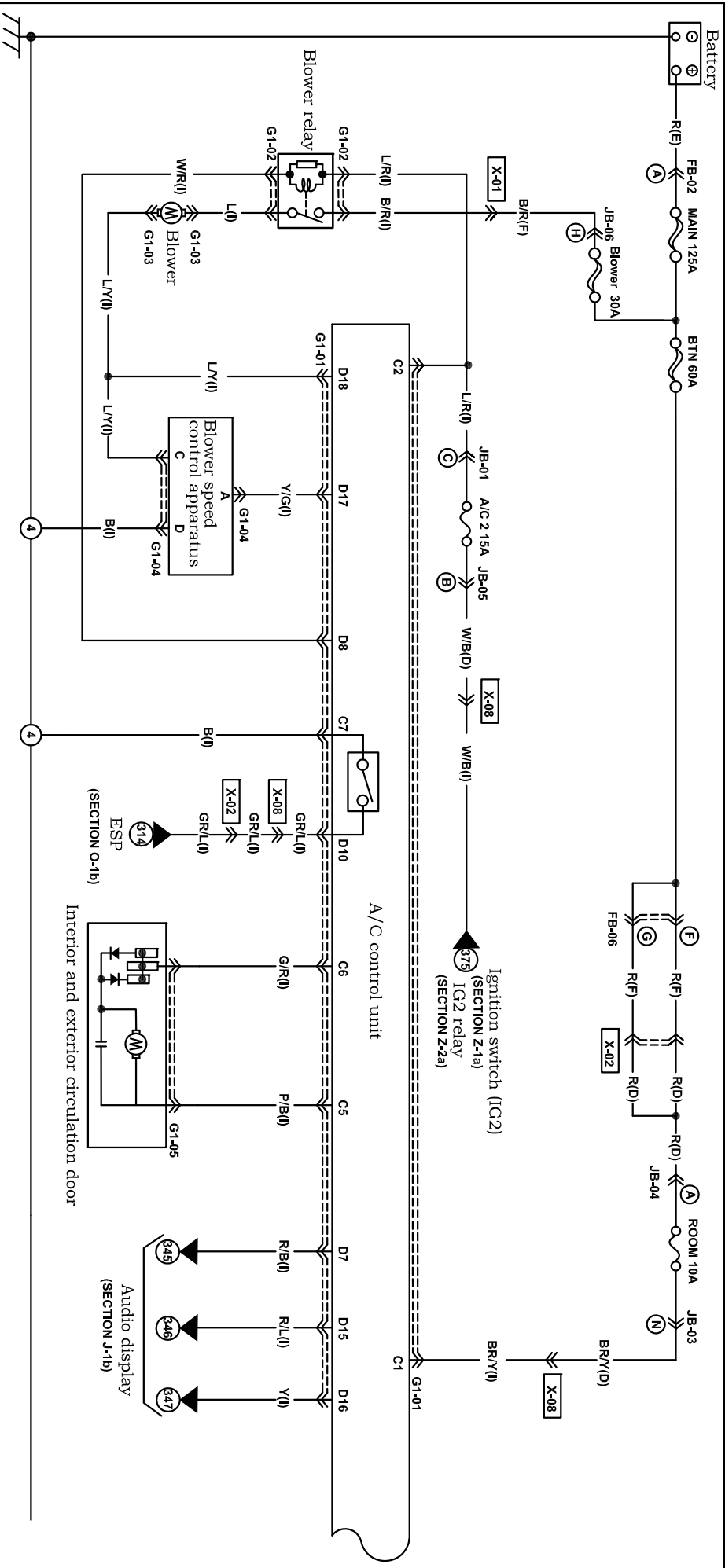




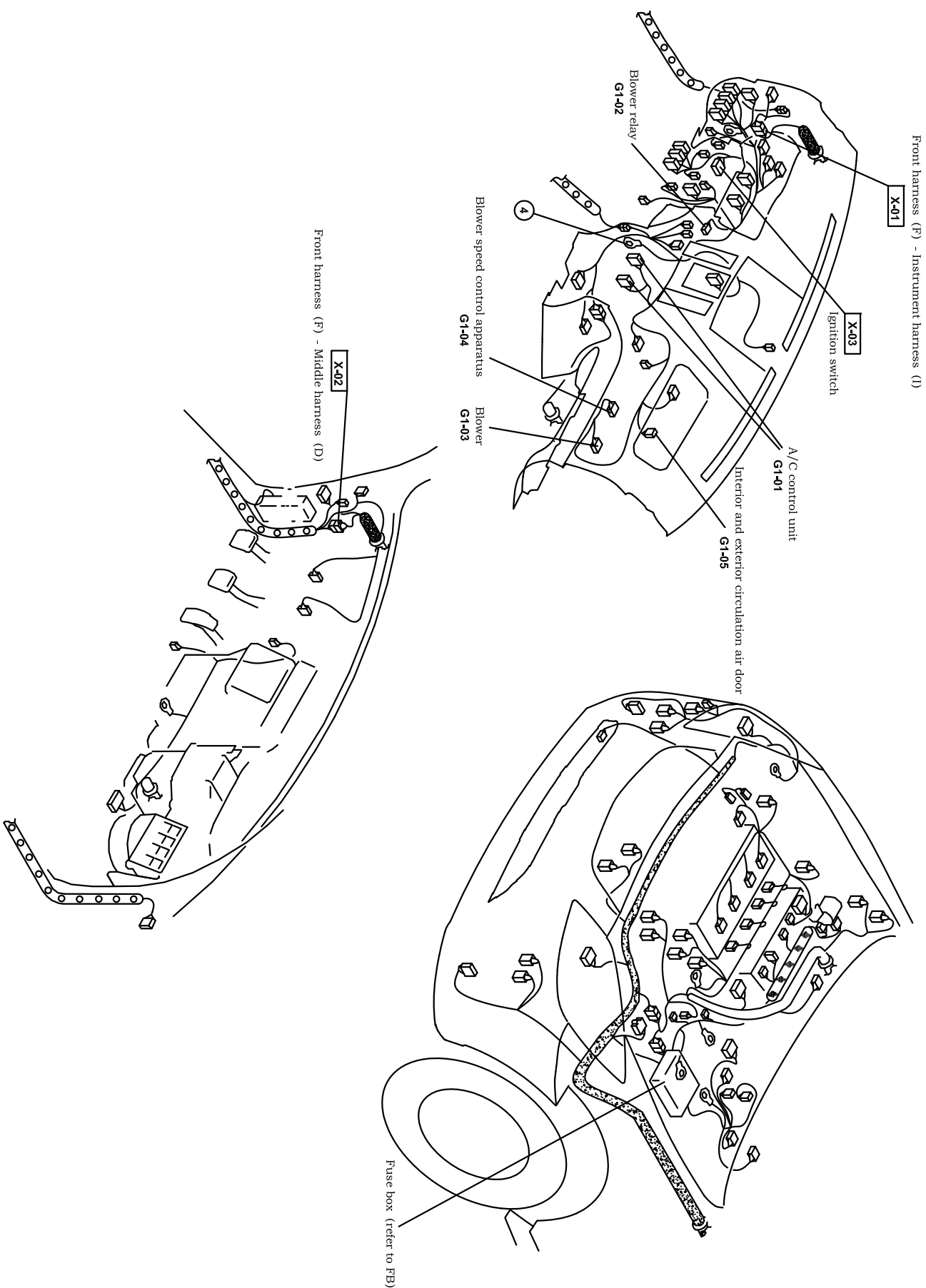


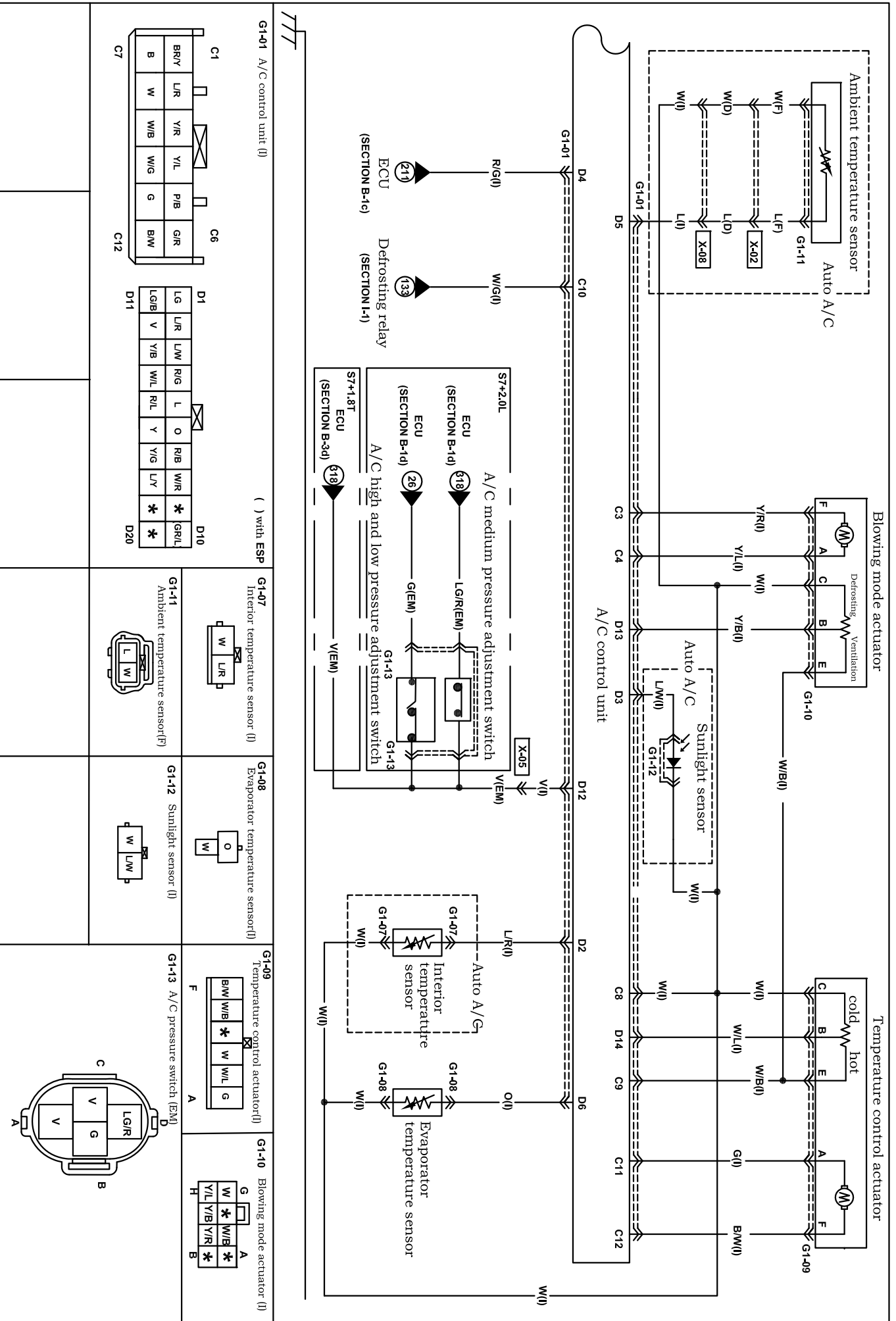
<p>F4-01 Low pitch horn (F)</p> <p>L/R B</p>	<p>F4-02 High pitch horn (F)</p> <p>L/R B</p>	<p>F4-05 Clock spring (1)</p> <p>[ ] With cruise</p> 		
<p>F4-03 Low pitch horn (F)</p> <p>B B</p>	<p>F4-04 High pitch horn (F)</p> <p>B B</p>			



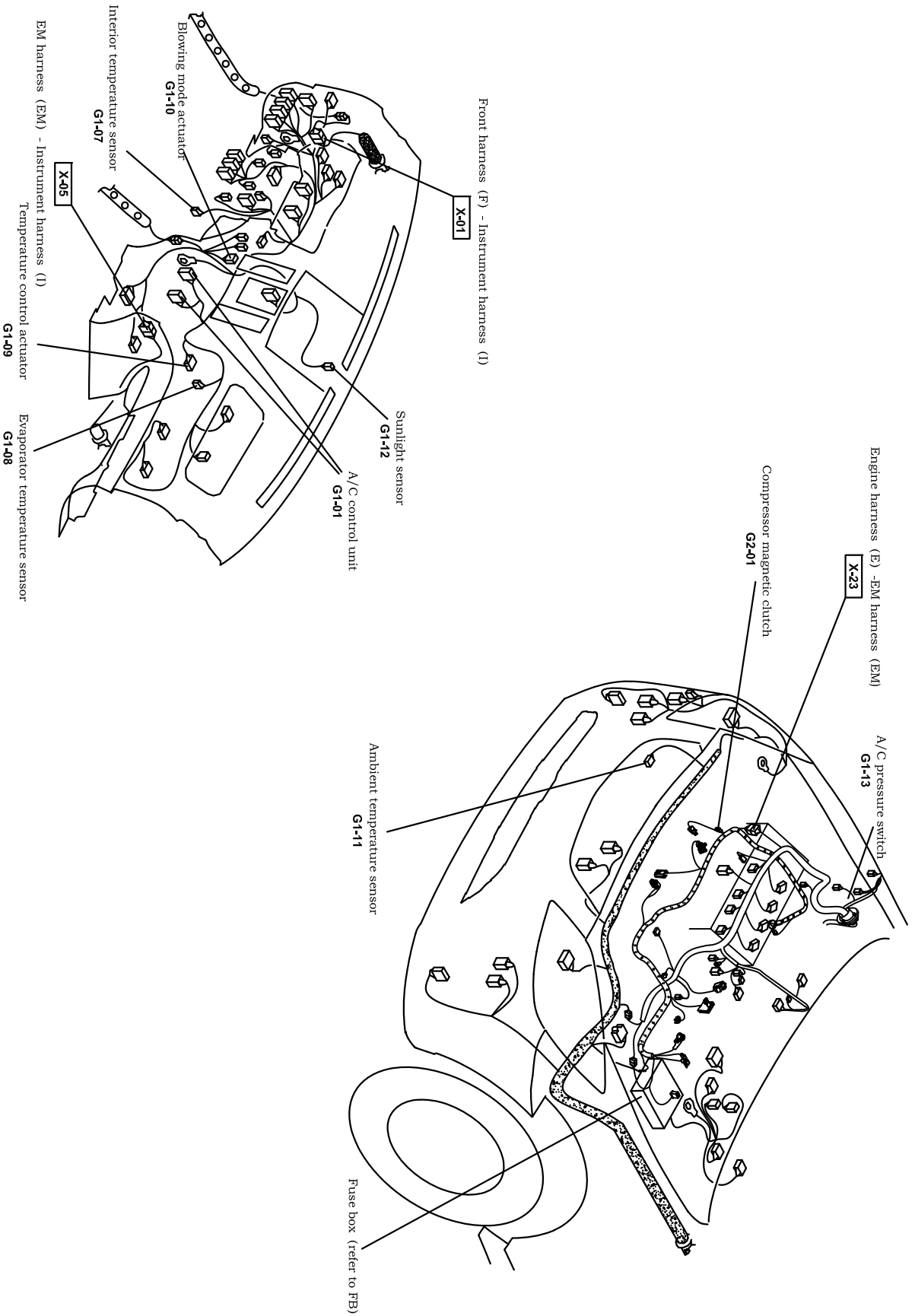


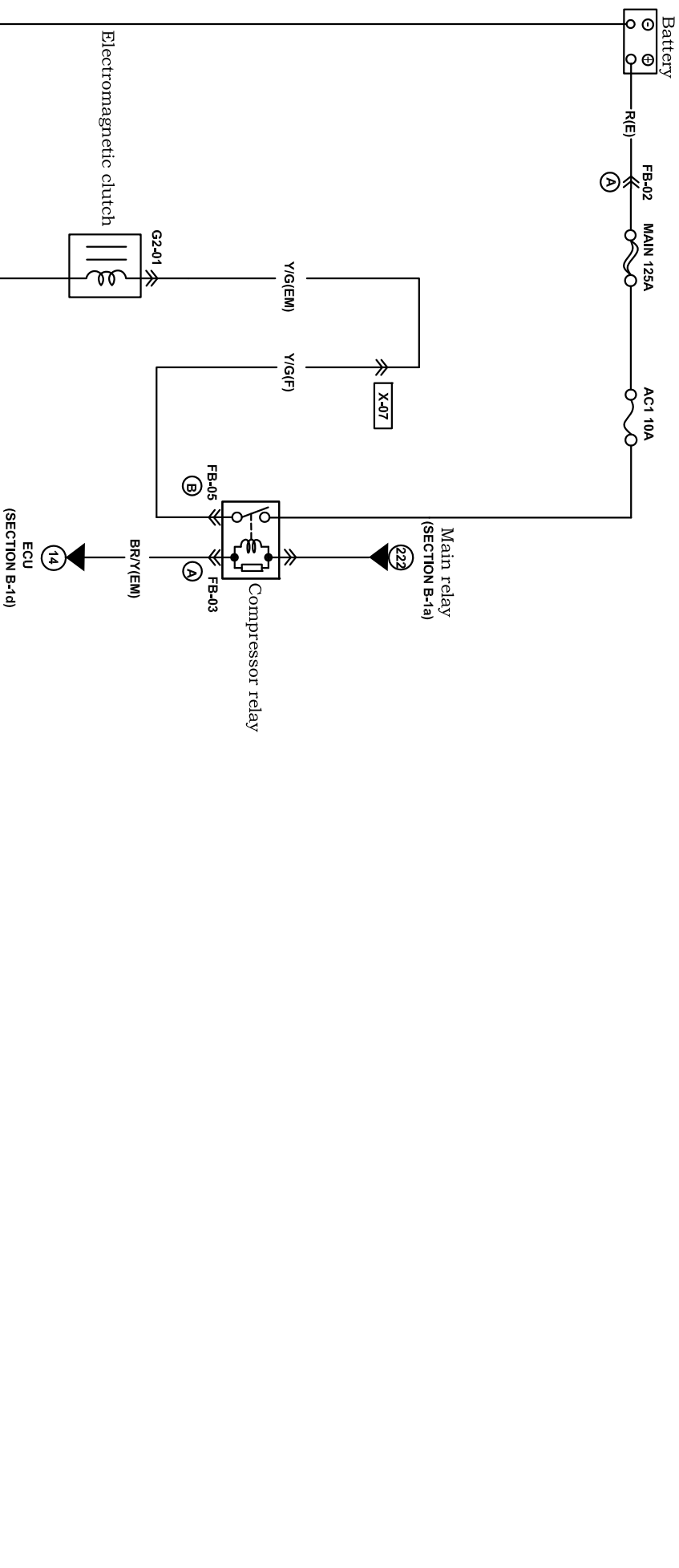
<p><b>G1-01</b> A/C control unit (I)</p>	<p>( ) with ESP</p>	<p><b>G1-03</b> Blower (I)</p>	<p><b>G1-04</b> Blower speed control apparatus(I)</p>	<p><b>G1-05</b> Interior and exterior circulation door (I)</p>
--	---------------------	--------------------------------	---	--






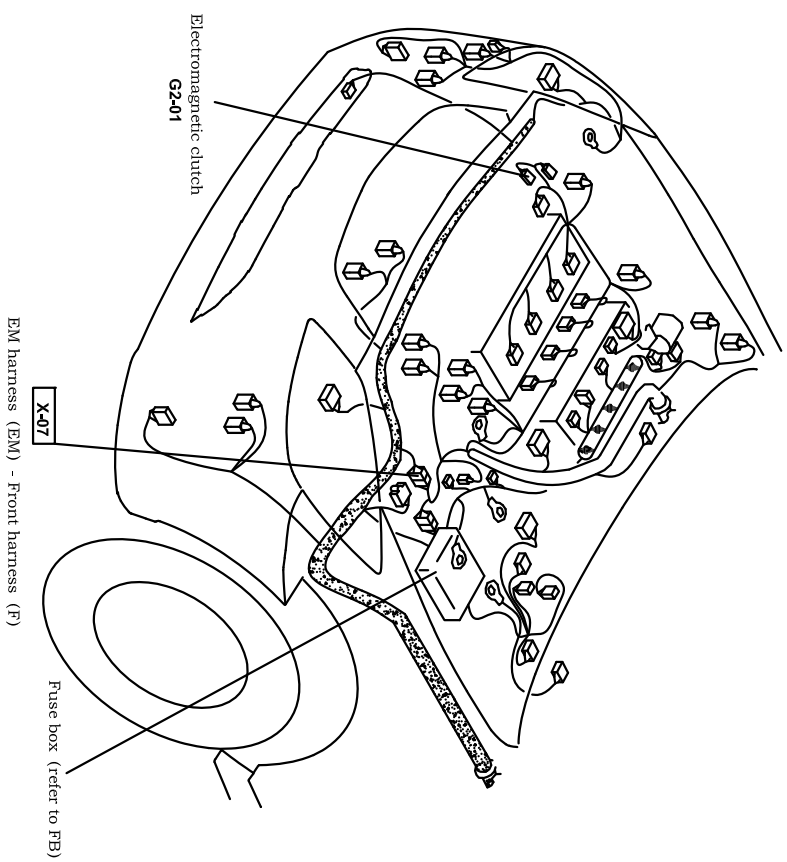
Harness mark: [ ] (F) [ ] (E) [ ] (D) [ ] (R)



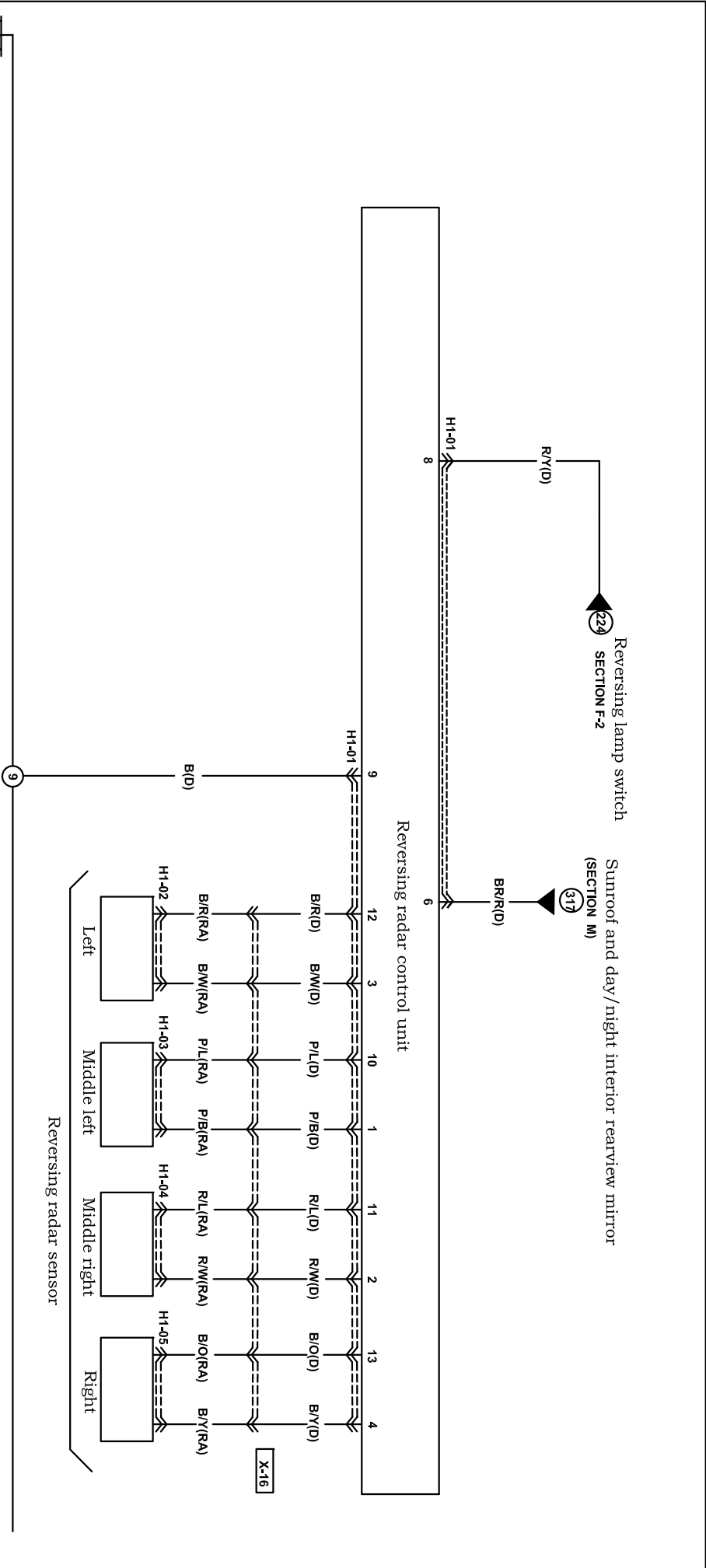


<p>G2-01 Electromagnetic clutch (EM)</p> 						

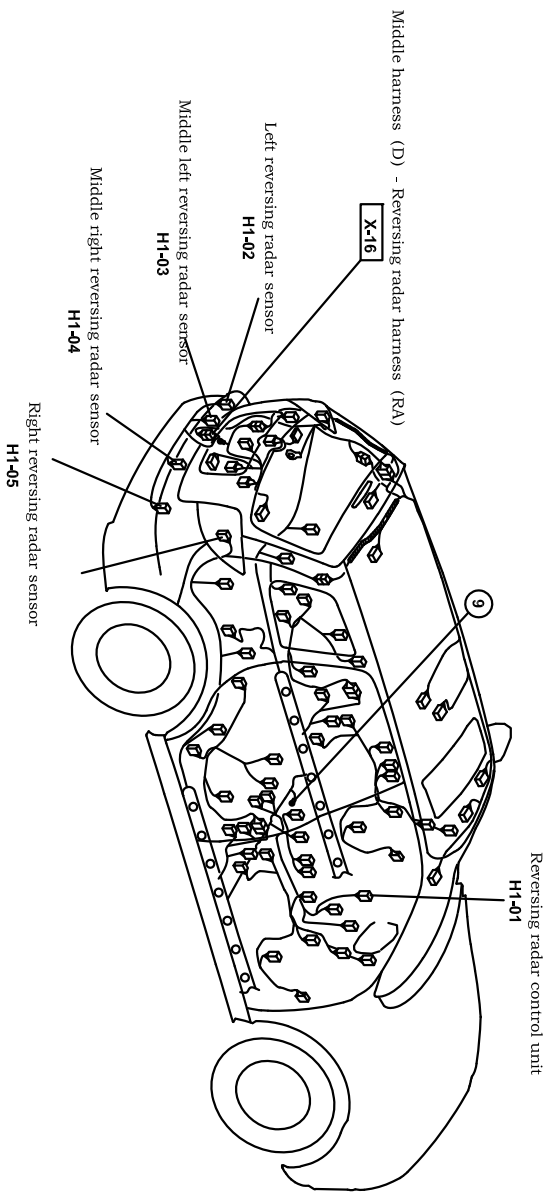
Harness mark:  (F)  (E)  (D)  (R)

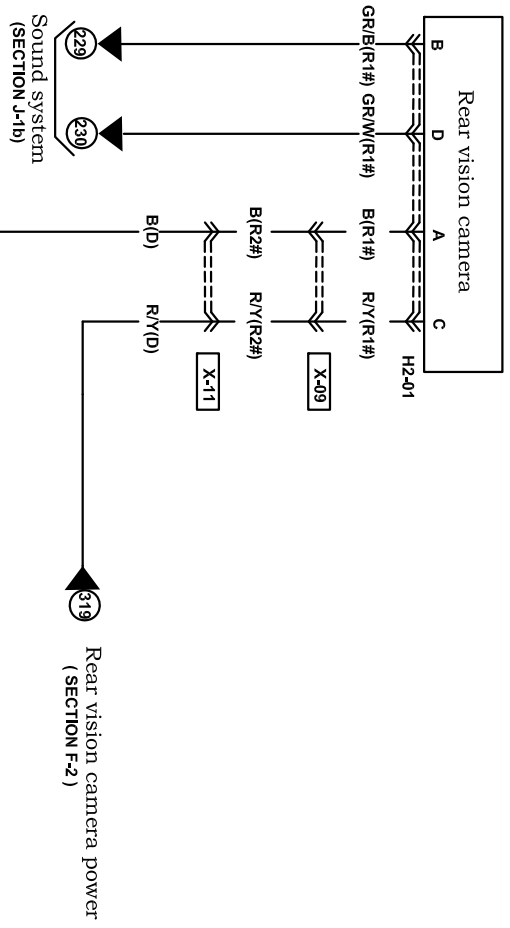






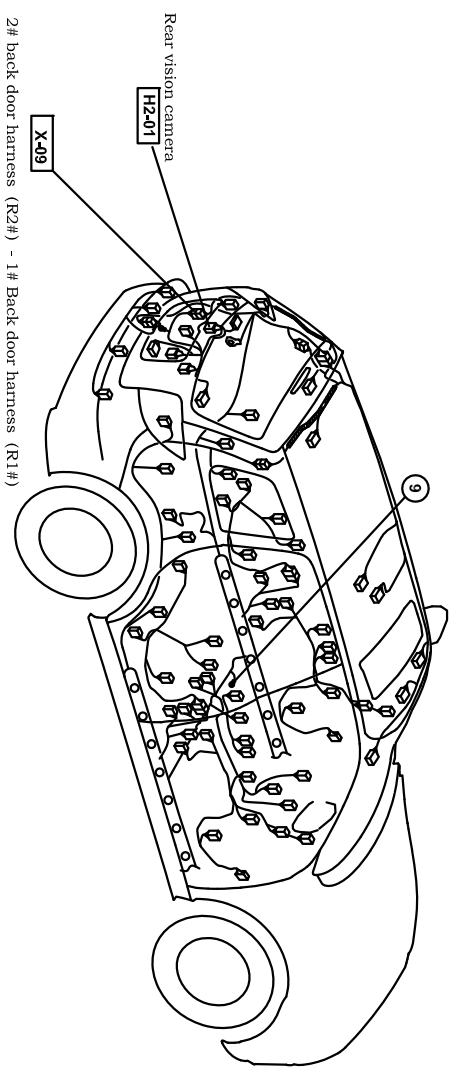
1	P/B	R/W	B/W	B/Y	*	BR/R	*	R/Y
9	B	P/L	R/L	B/R	B/O	*	*	*

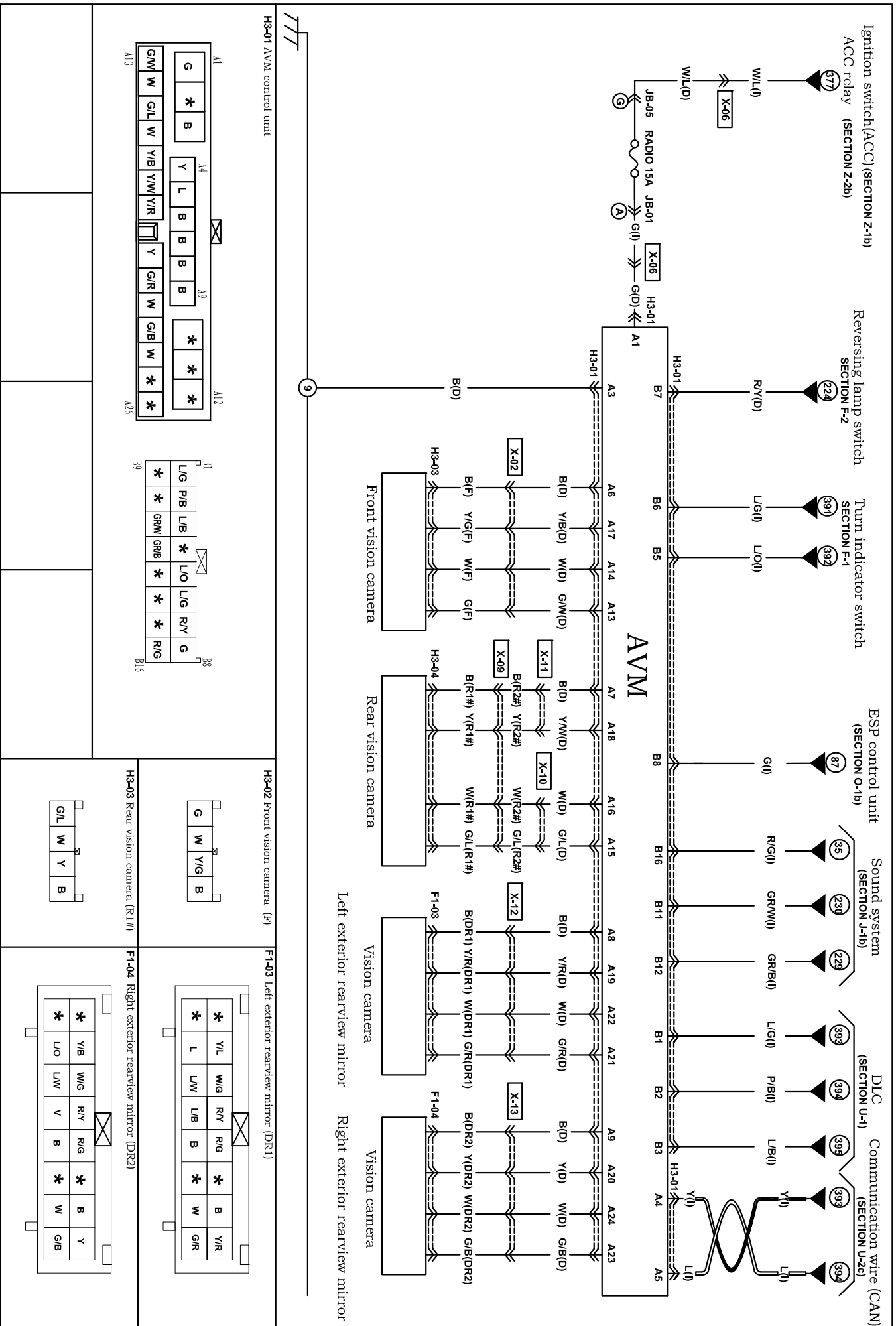


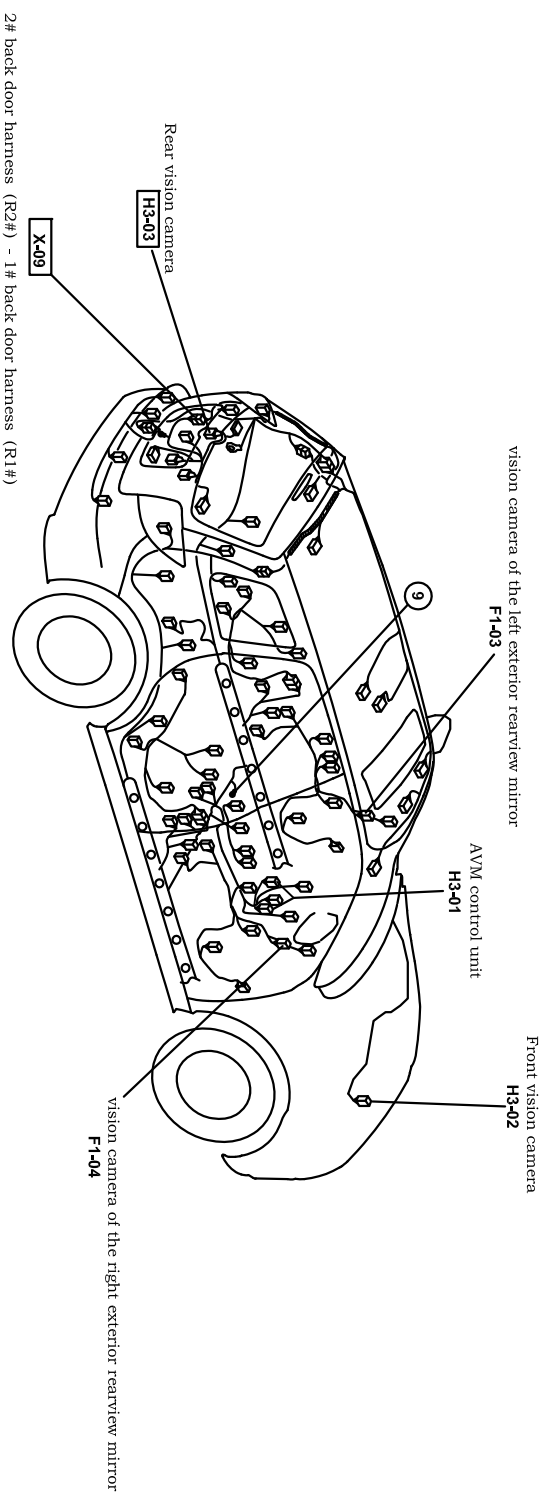


<p>H2-01 Rear vision camera (R1#)</p>														
<table border="1" style="margin-left: auto; margin-right: auto;"> <tr> <td>C</td> <td>A</td> </tr> <tr> <td>R/Y</td> <td>B</td> </tr> <tr> <td>GR/W</td> <td>GR/B</td> </tr> <tr> <td>D</td> <td>B</td> </tr> </table>		C	A	R/Y	B	GR/W	GR/B	D	B					
C	A													
R/Y	B													
GR/W	GR/B													
D	B													

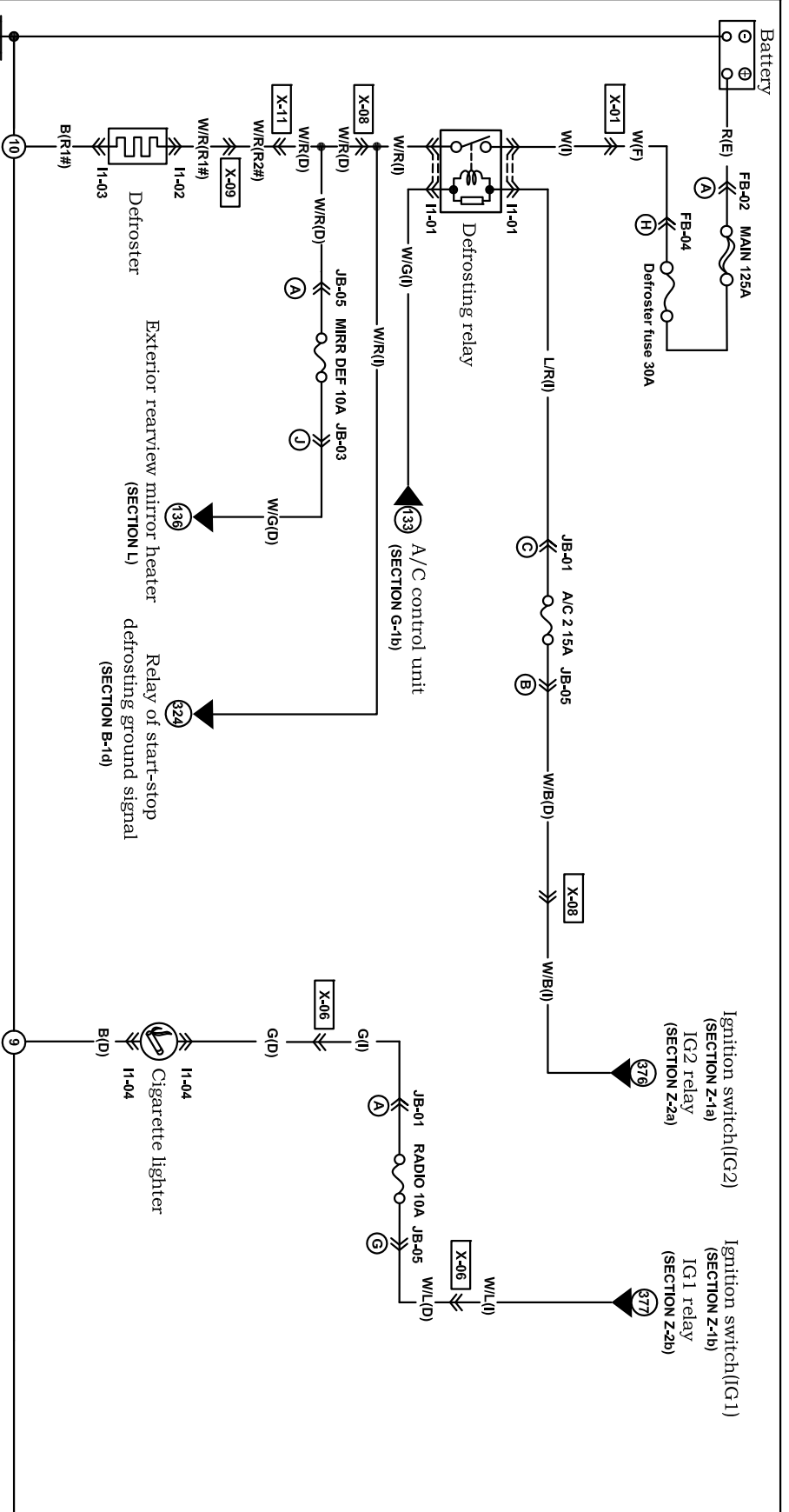
Harness mark:  (F)  (E)  (D)  (R)

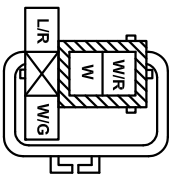
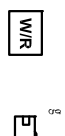

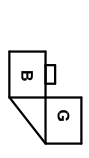




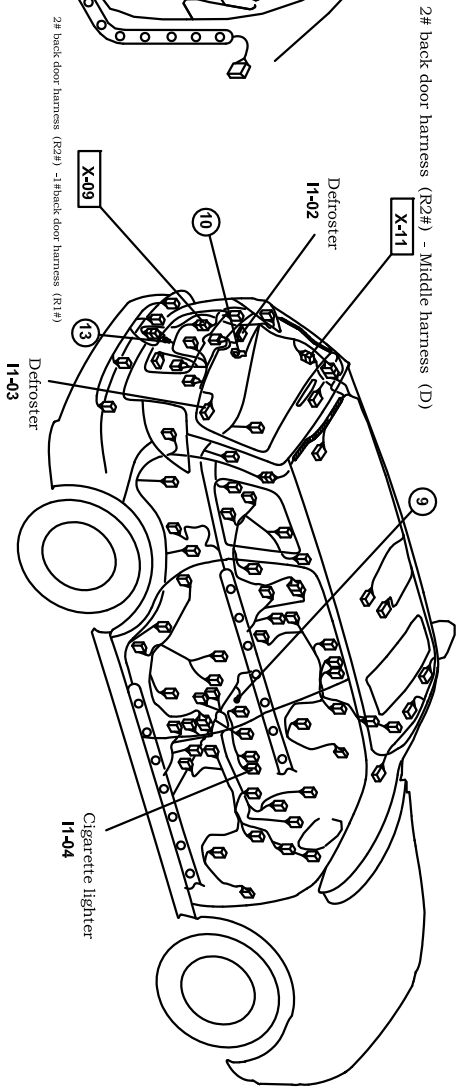
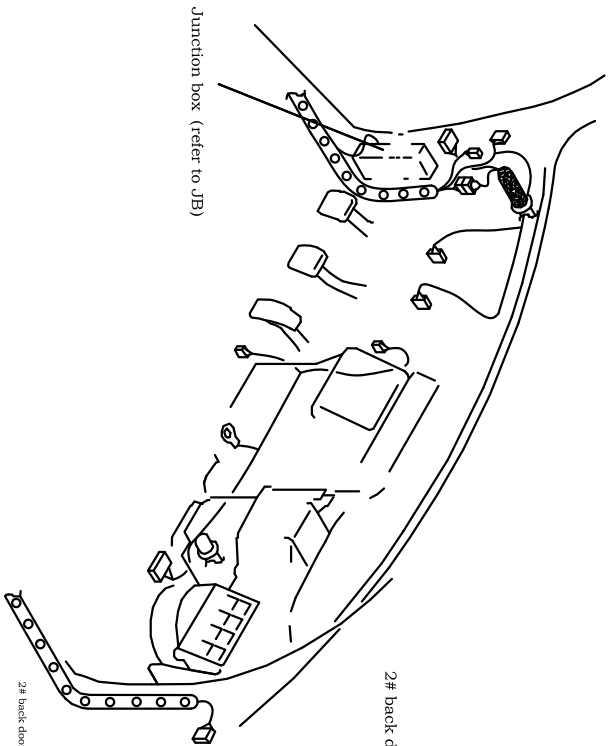
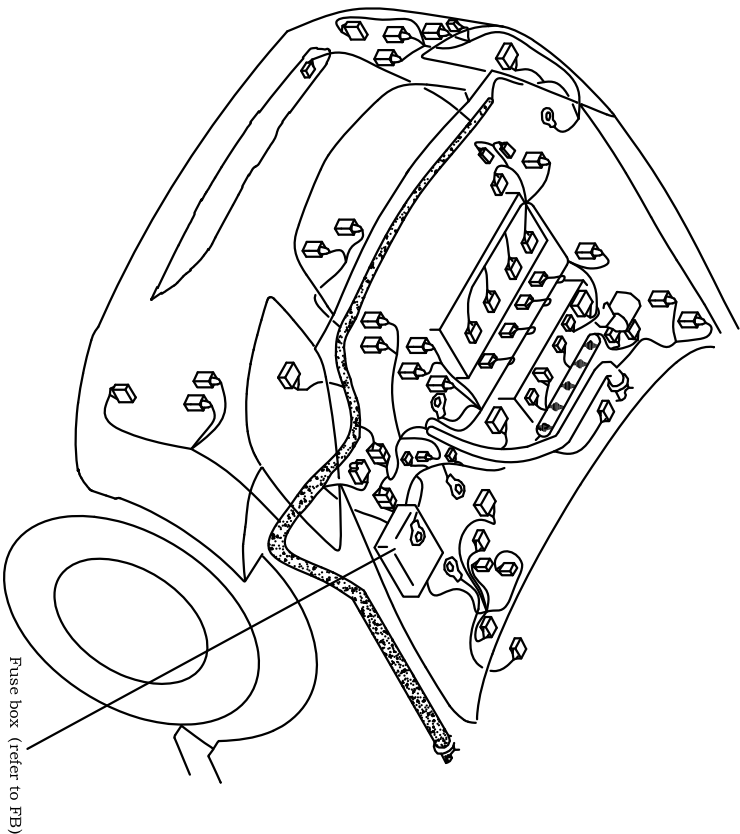
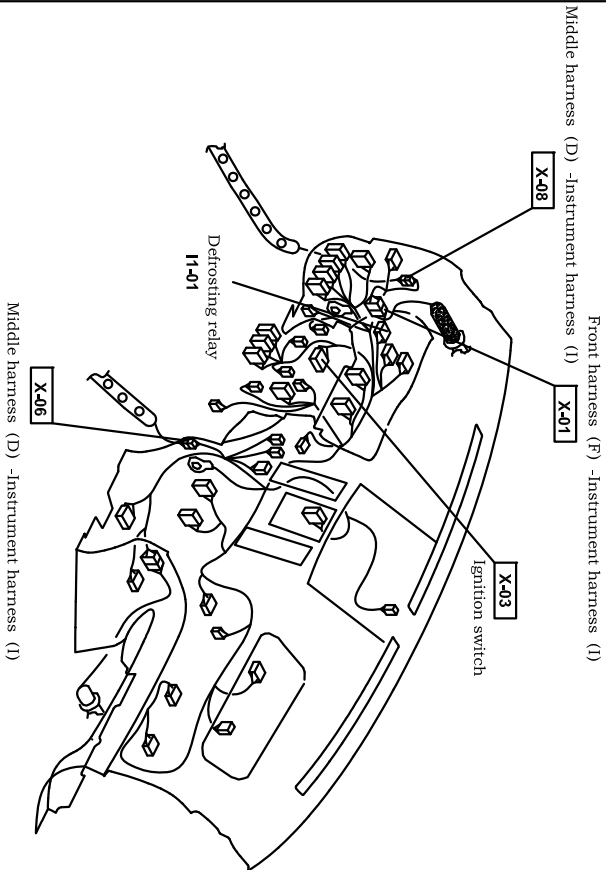


Cigarette lighter /Rear defroster system

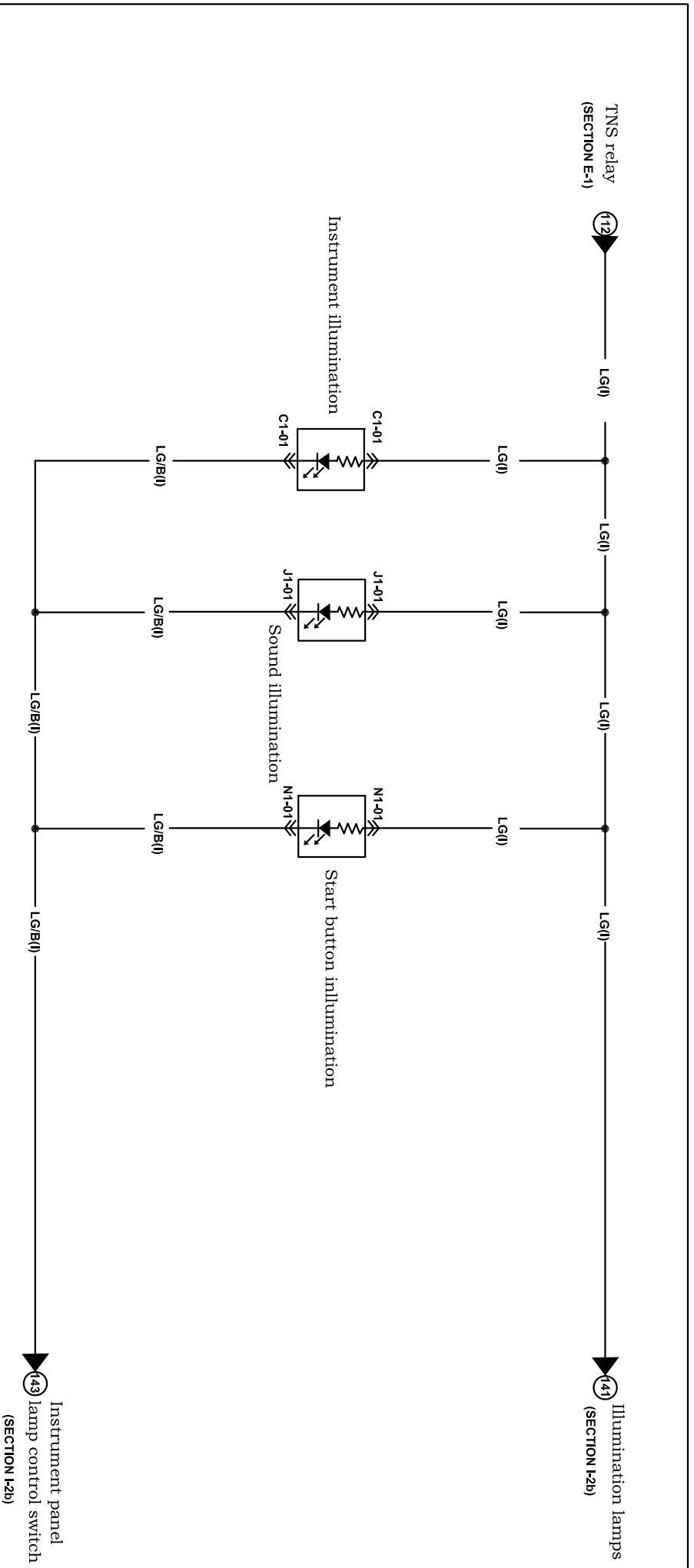


<p>I1-01 Defrosting relay (I)</p> 	<p>I1-02 Defroster (R1#)</p> 	<p>I1-03 Defroster (R1#)</p> 	<p>I1-04 Cigarette lighter (I)</p> 		
---	--	--	--	--	--

Harness mark: [F] [E] [D] [R]







**C1-01** Combined instrument (I)

A1	B/Y	B/L	B/W	B/R	R/Y	P	Y/G	(G/O)	(V/W)	*	*	*	*	*	*	G/B	LG/R	G/W	G/R	Y/L
A17	LG	LG/B	*	*	*	*	*	*	*	*	*	*	*	*	*	LG/R	G/W	G/R	Y/L	A16

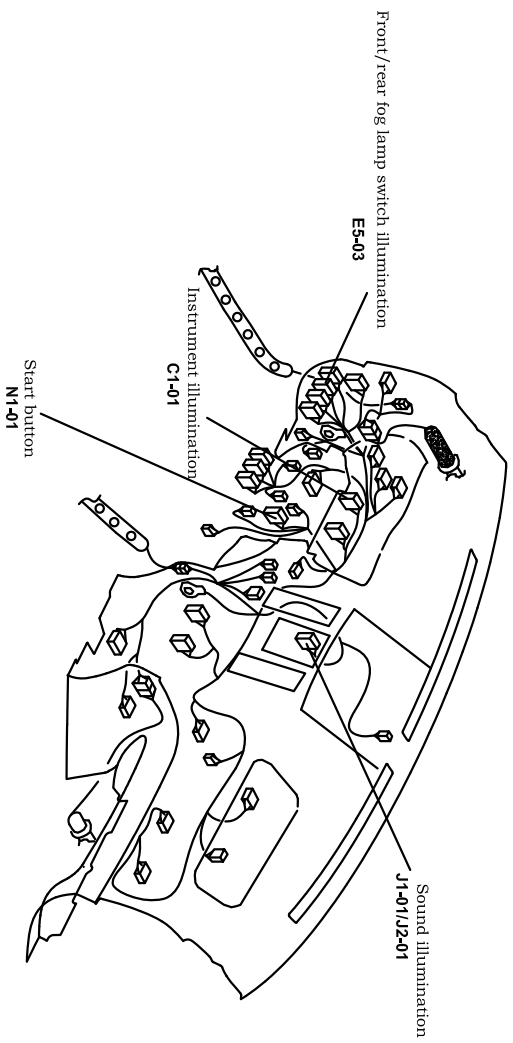
**J1-01** Sound unit (I)

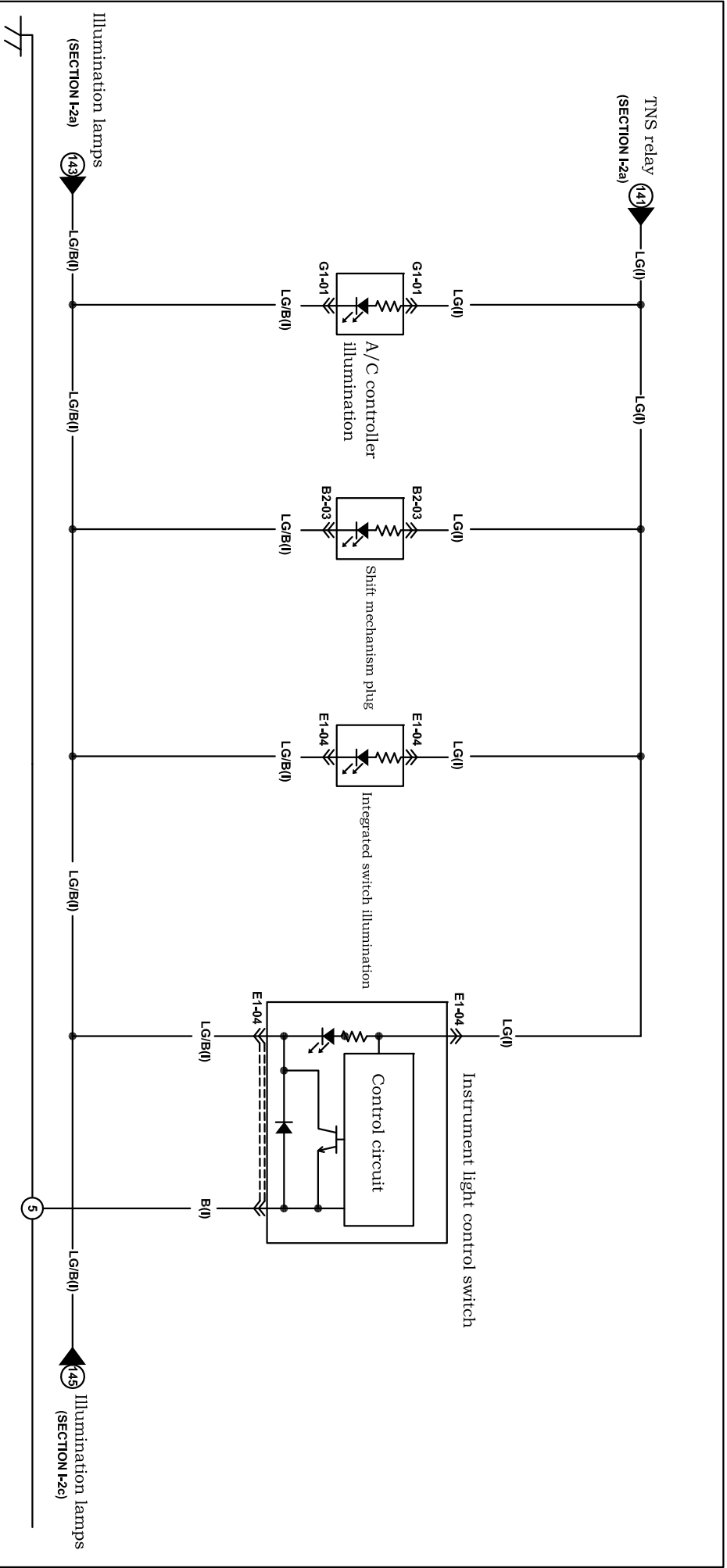
Yellow C1			Green C2			Blue C3		
1	R/B	G	1	B/G	GR/B	1	*	*
2	*	R/Y	2	GR/W	Y	2	*	*
3	R/L	G/Y	3	L/O	*	3	*	*
4	*	*	4	*	*	4	*	*
5	*	*	5	*	*	5	*	*

**N1-01** Start button (I)

10	R	P	R/B	LG/B	LG	6
5	P	W	G/B	*	*	1

Harness mark:  (F)  (E)  (D)  (R)





**G1-01** A/C controller illumination (I) ( ) with ESP

D11	LG	L/R	L/W	R/G	L	O	R/B	W/R	*	GR/L	D10
D11	LG/B	V	Y/B	W/L	R/L	Y	Y/G	L/Y	*	*	D20

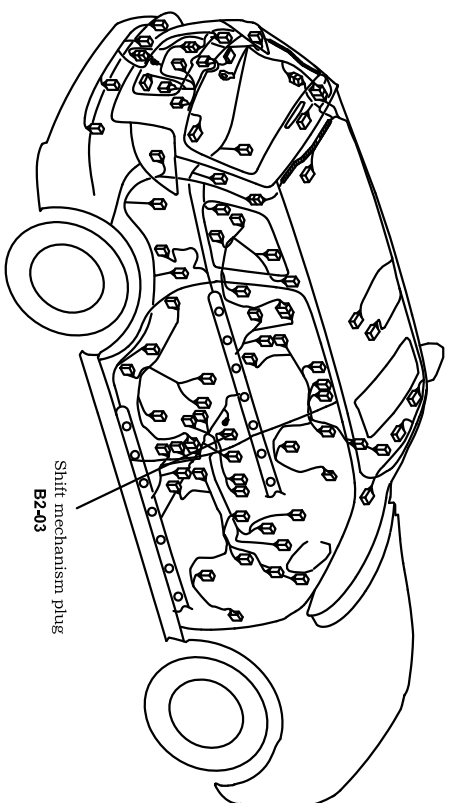
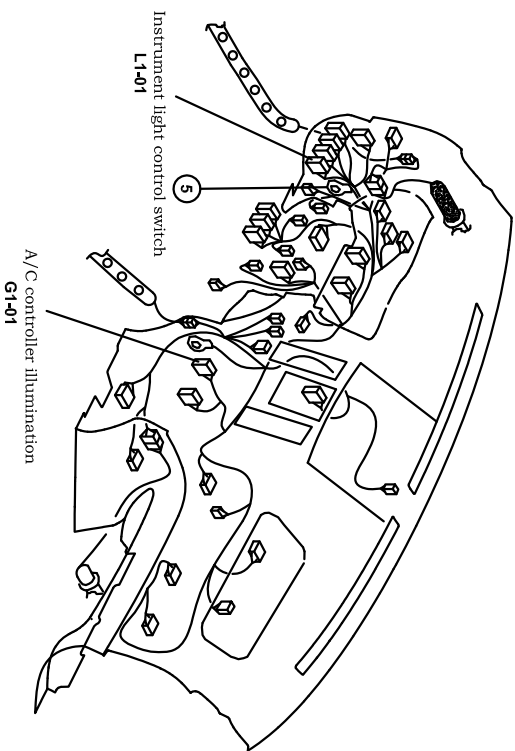
**L1-01** Instrument light control switch (I)

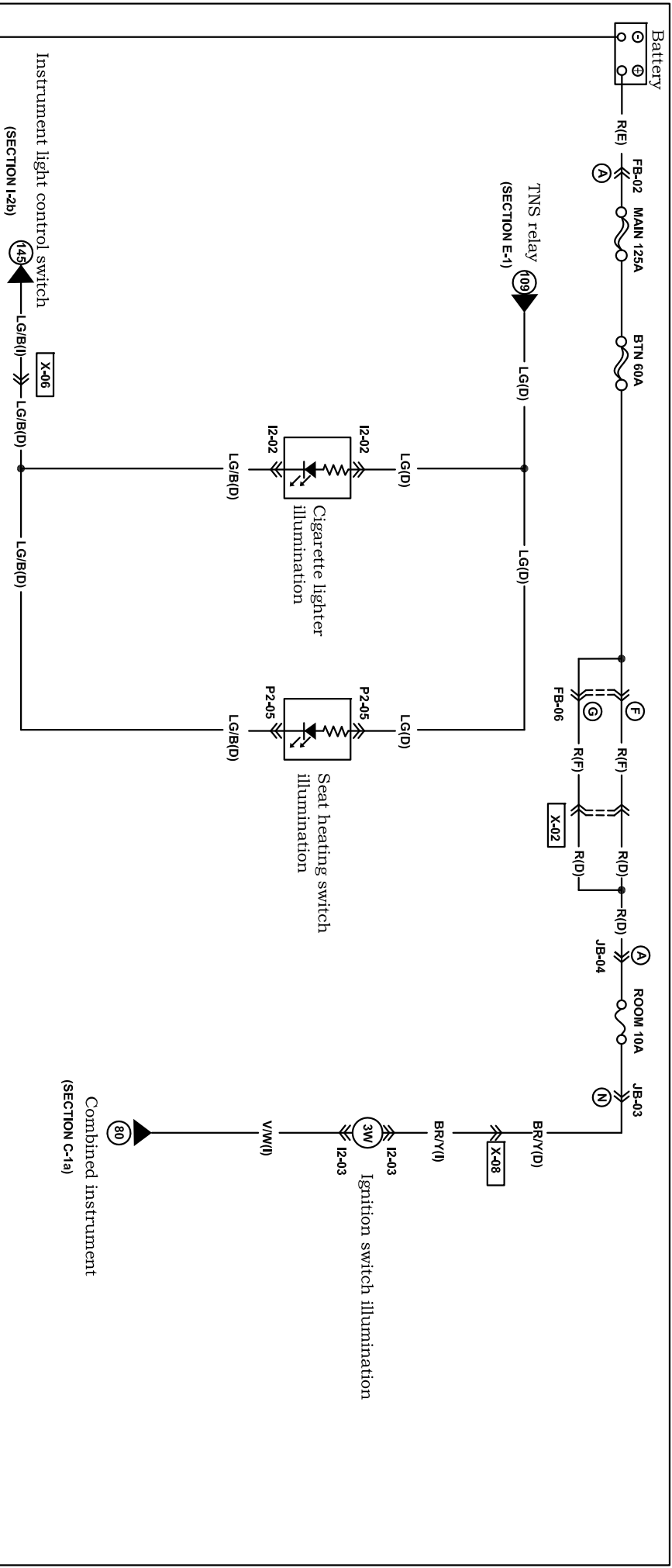
S	Q	O	M	K	L	G	E	C	A
R/B	LG	LG/B	L/W	L	L/O	L/B	V	R/G	R/Y
B	P	G/B	&P/L	W	*	*	*	*	B
T	R	P	N	L	J	H	F	D	B

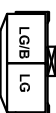

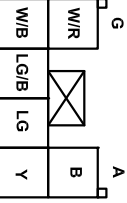
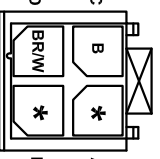
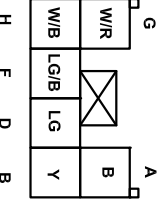
**B2-03** Shift mechanism plug (I)

6	LG		Y	B/Y	A
II	LG/B	*	G/R	*	O/B
					B

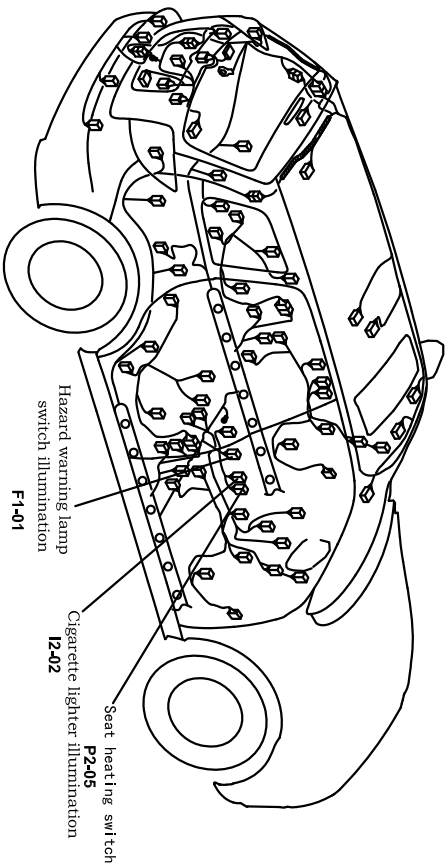
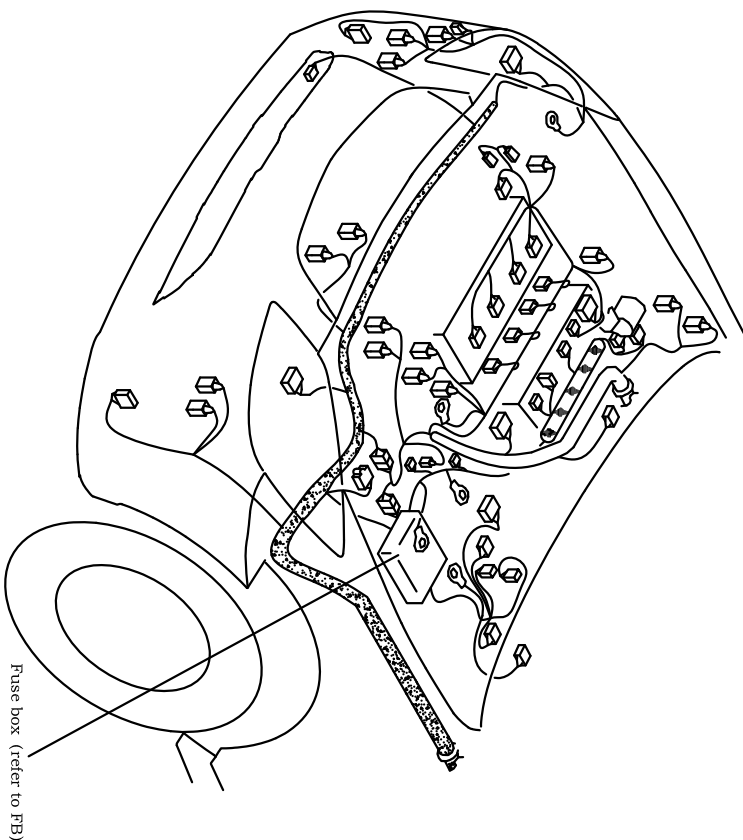
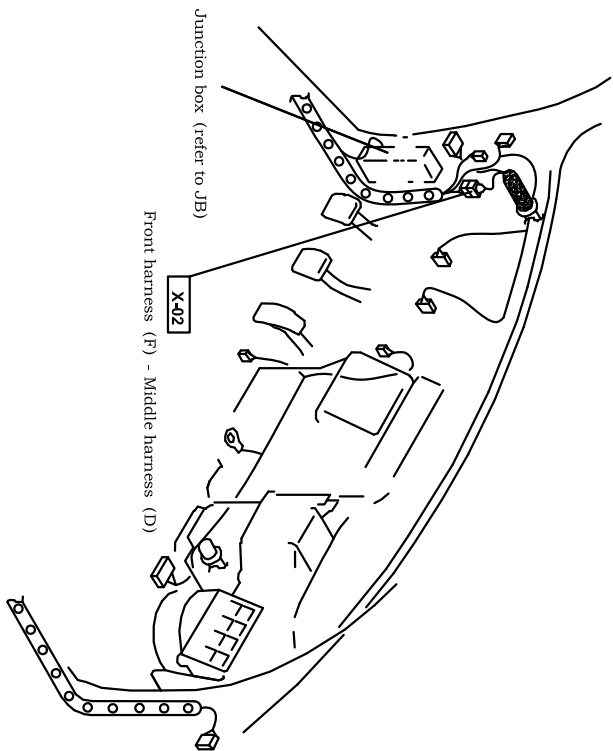
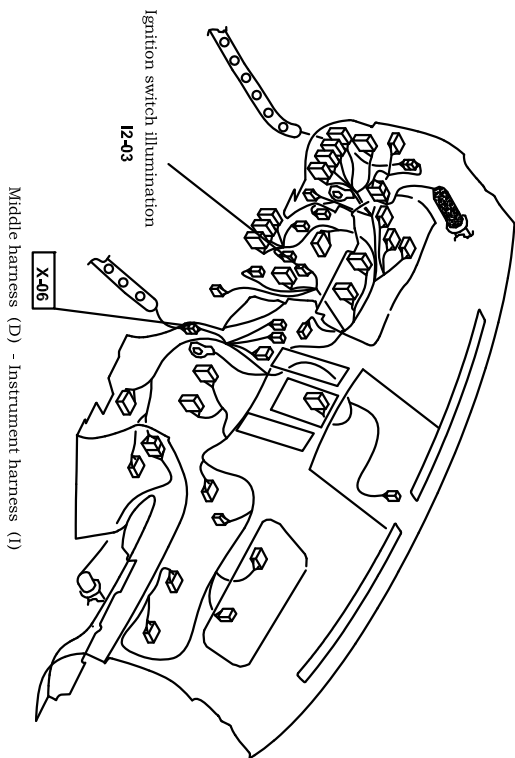
Harness mark:  (F)  (E)  (D)  (R)



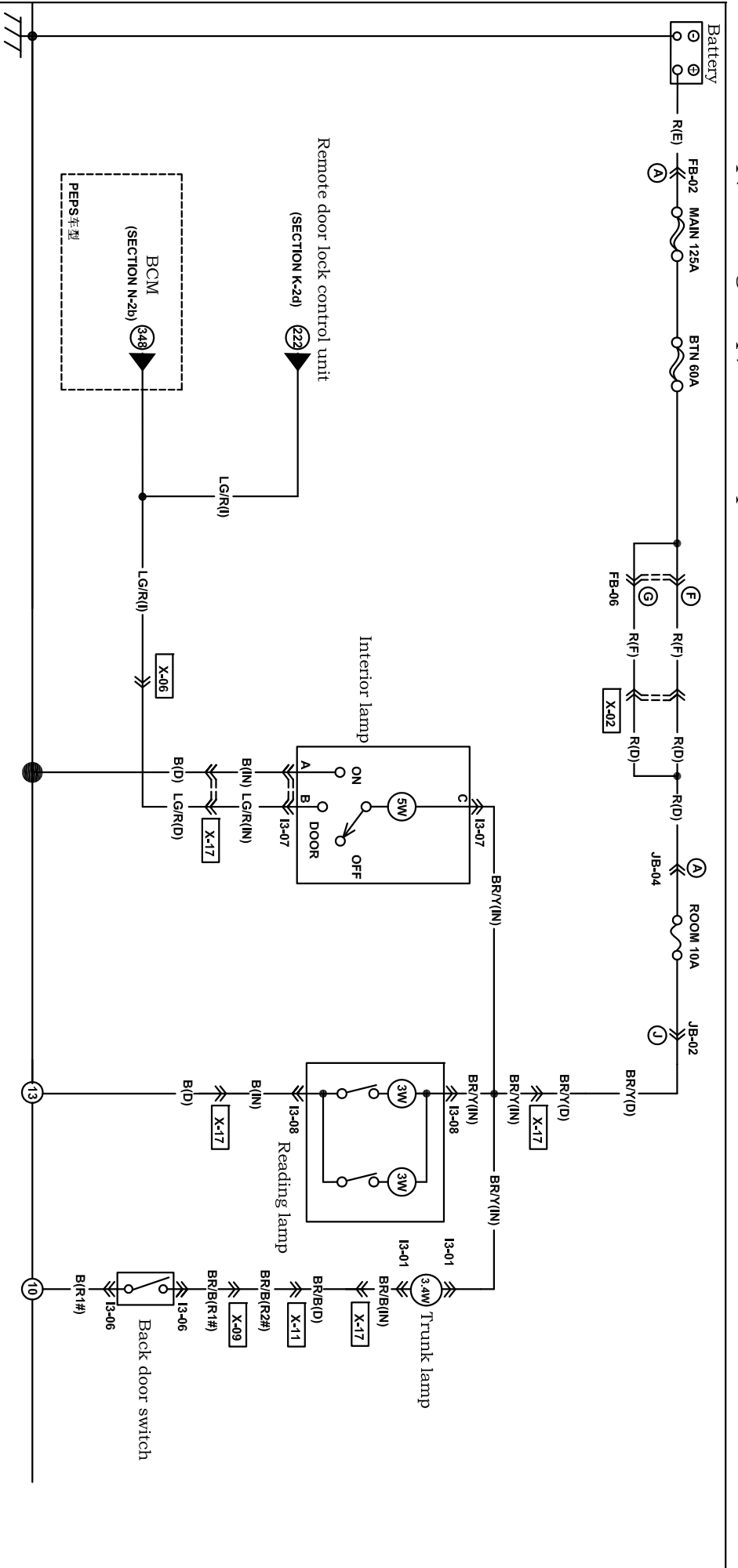


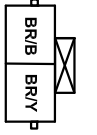
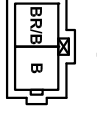
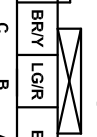
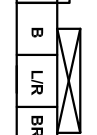
<p><b>12-02</b> Cigarette lighter illumination(D)</p> 	<p><b>12-03</b> Ignition switch illumination(I)</p> 	<p><b>P2-05</b> Seat heating switch (D)</p> 				
<p><b>F1-01</b> Hazard warning lamp switch illumination (I)</p> 						

Harness mark:  (F)  (E)  (D)  (R)

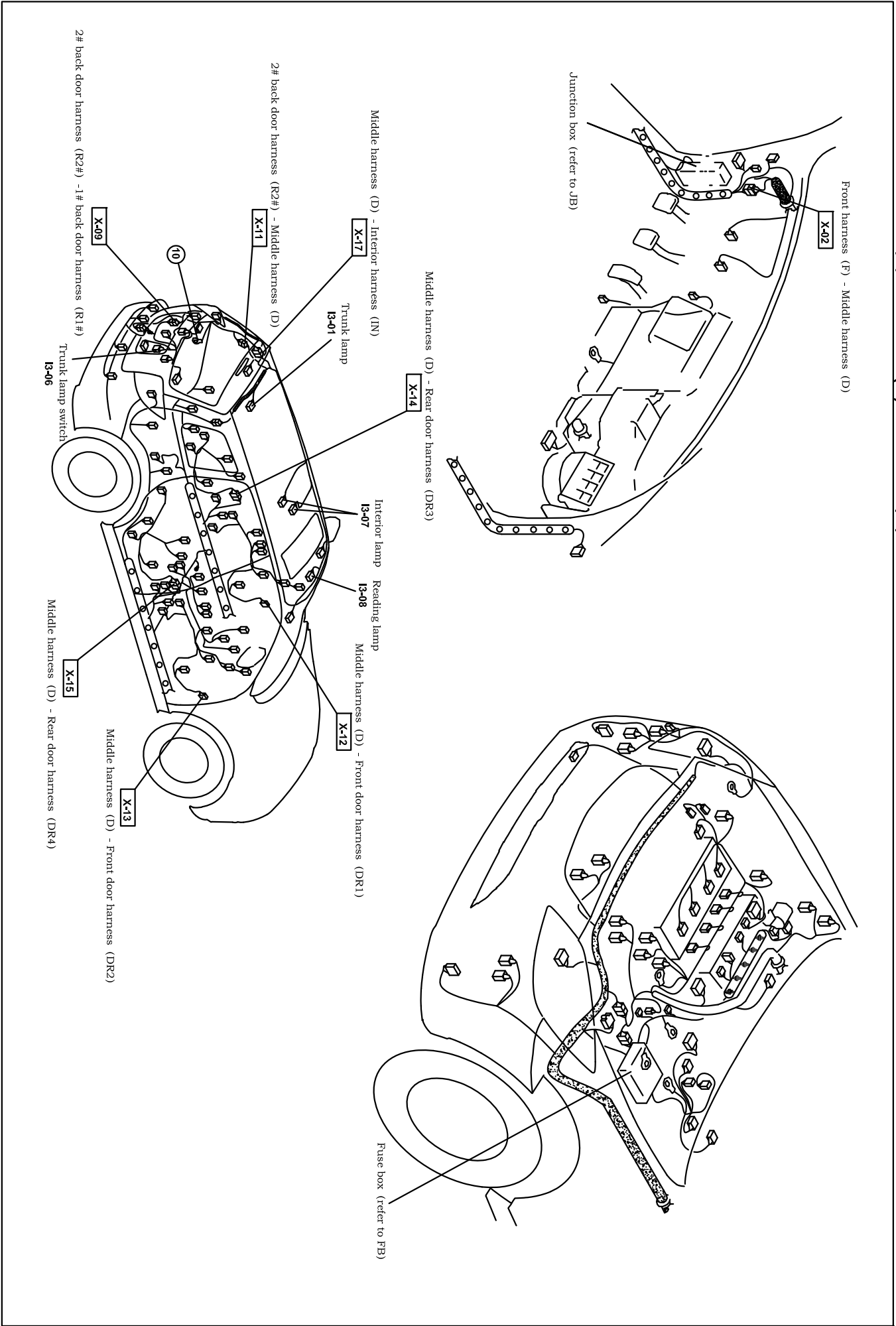


Interior lamp / reading lamp / trunk lamp

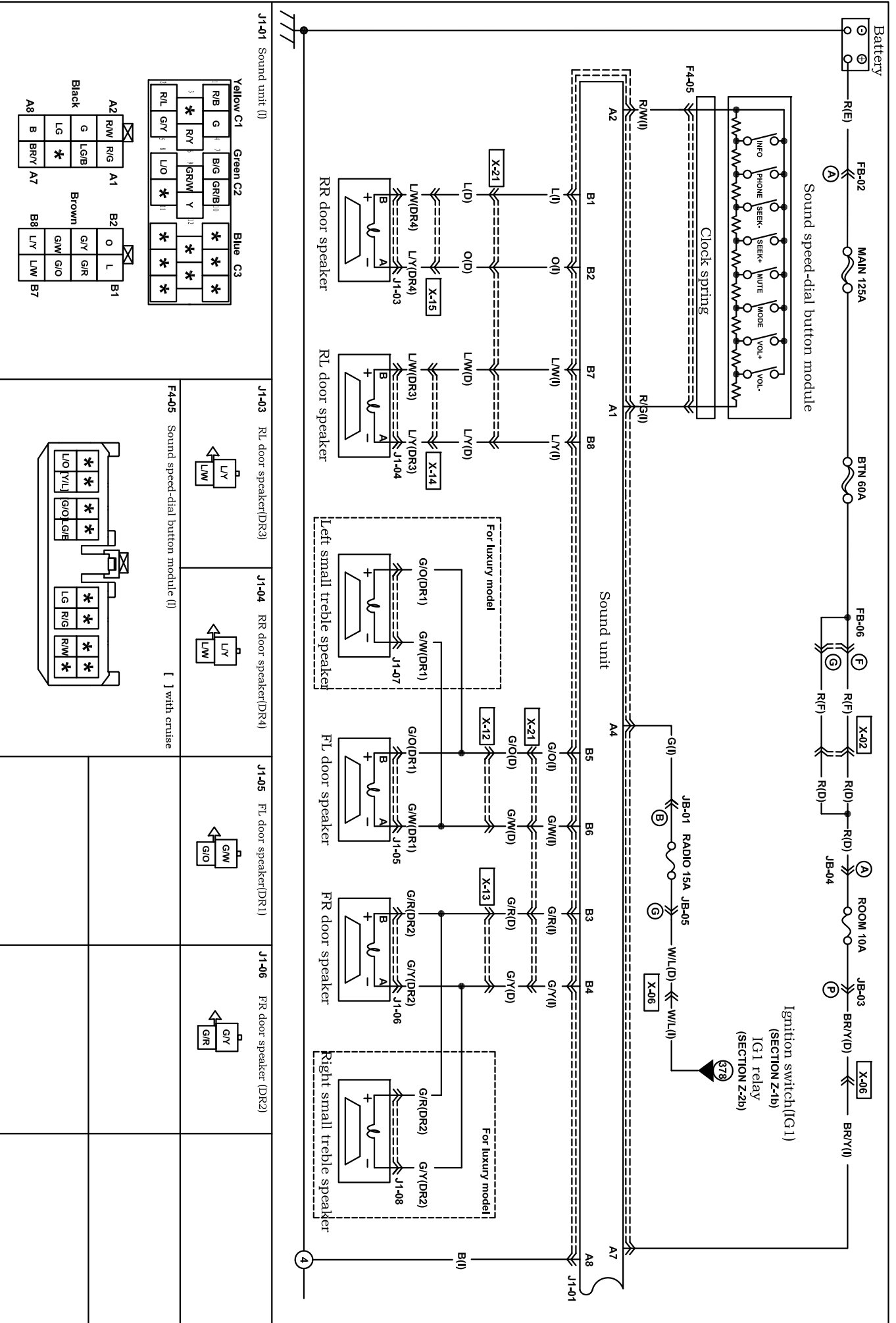


<p>13-01 Trunk lamp (IN)</p> 	<p>13-06 Trunk lamp switch (R1#)</p> 	<p>13-07 Interior lamp (IN)</p> 				
<p>13-08 Reading lamp (IN)</p> 						

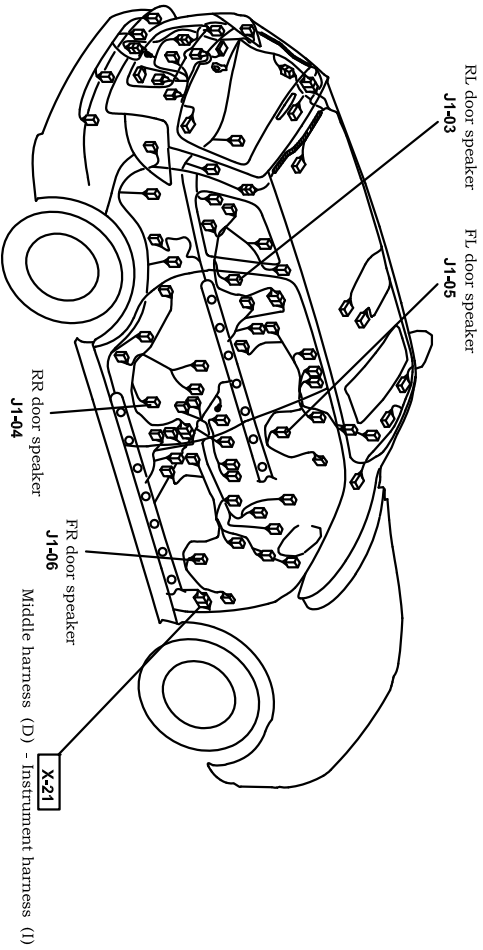
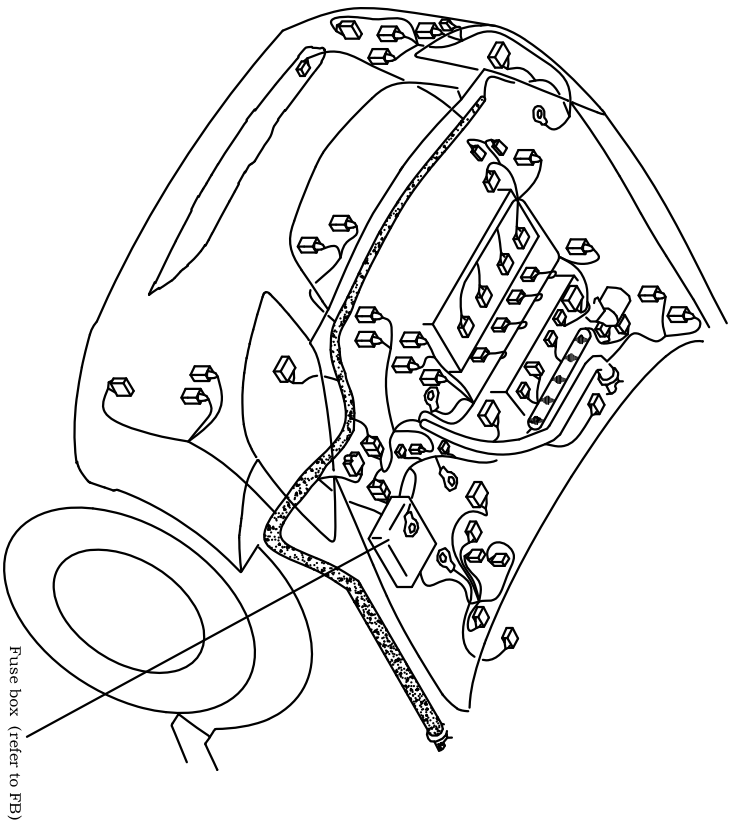
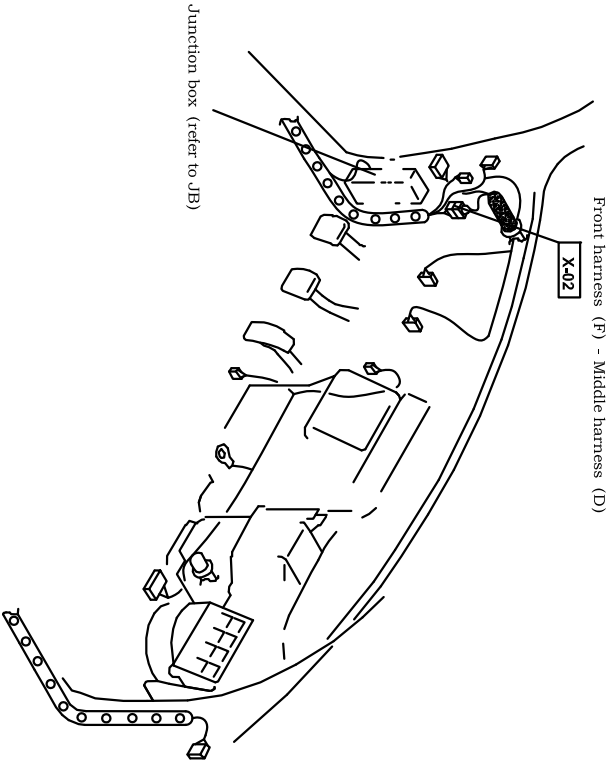
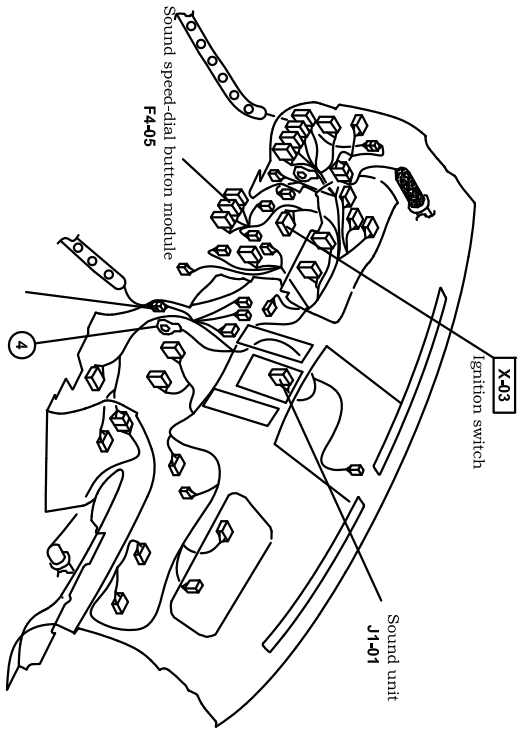
Harness mark: (F) (E) (D) (R)

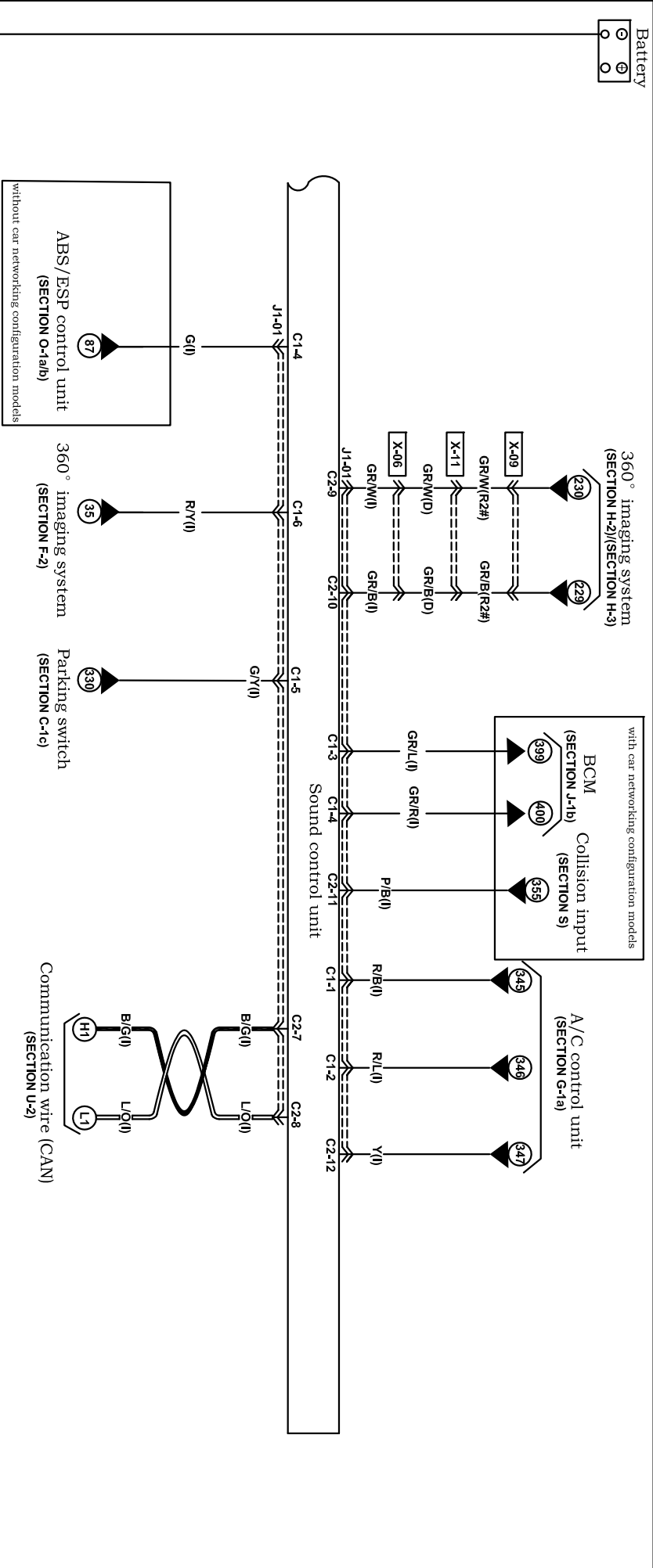




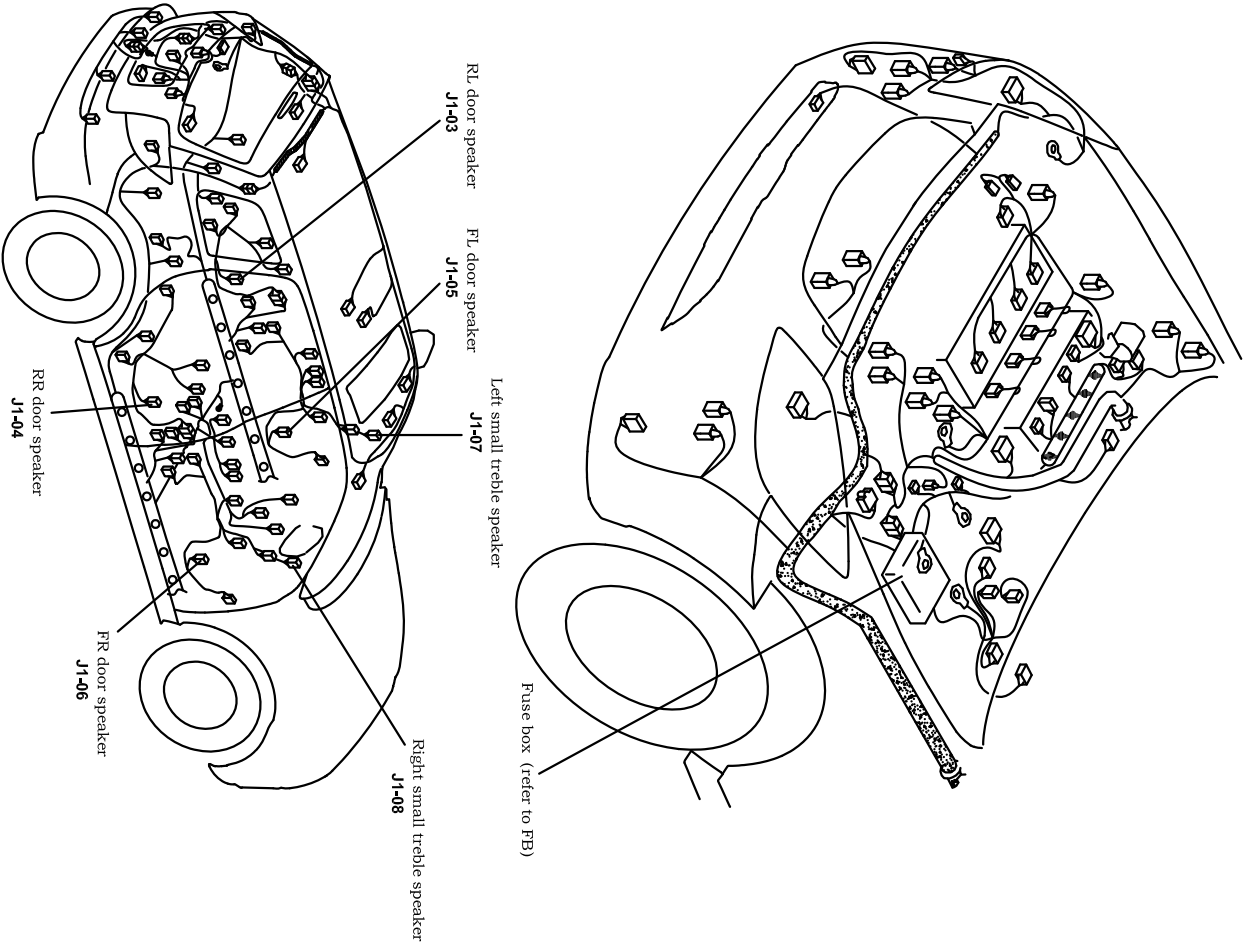
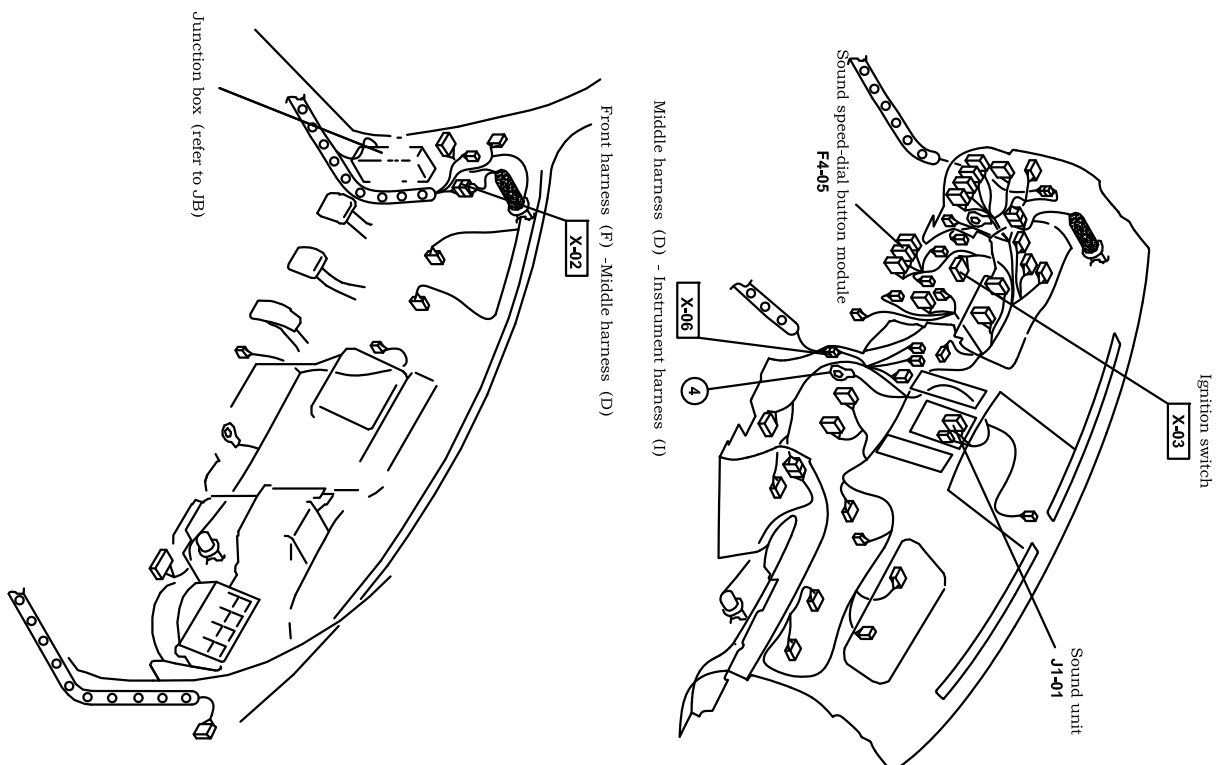


Harness mark: (F) (E) (D) (R)



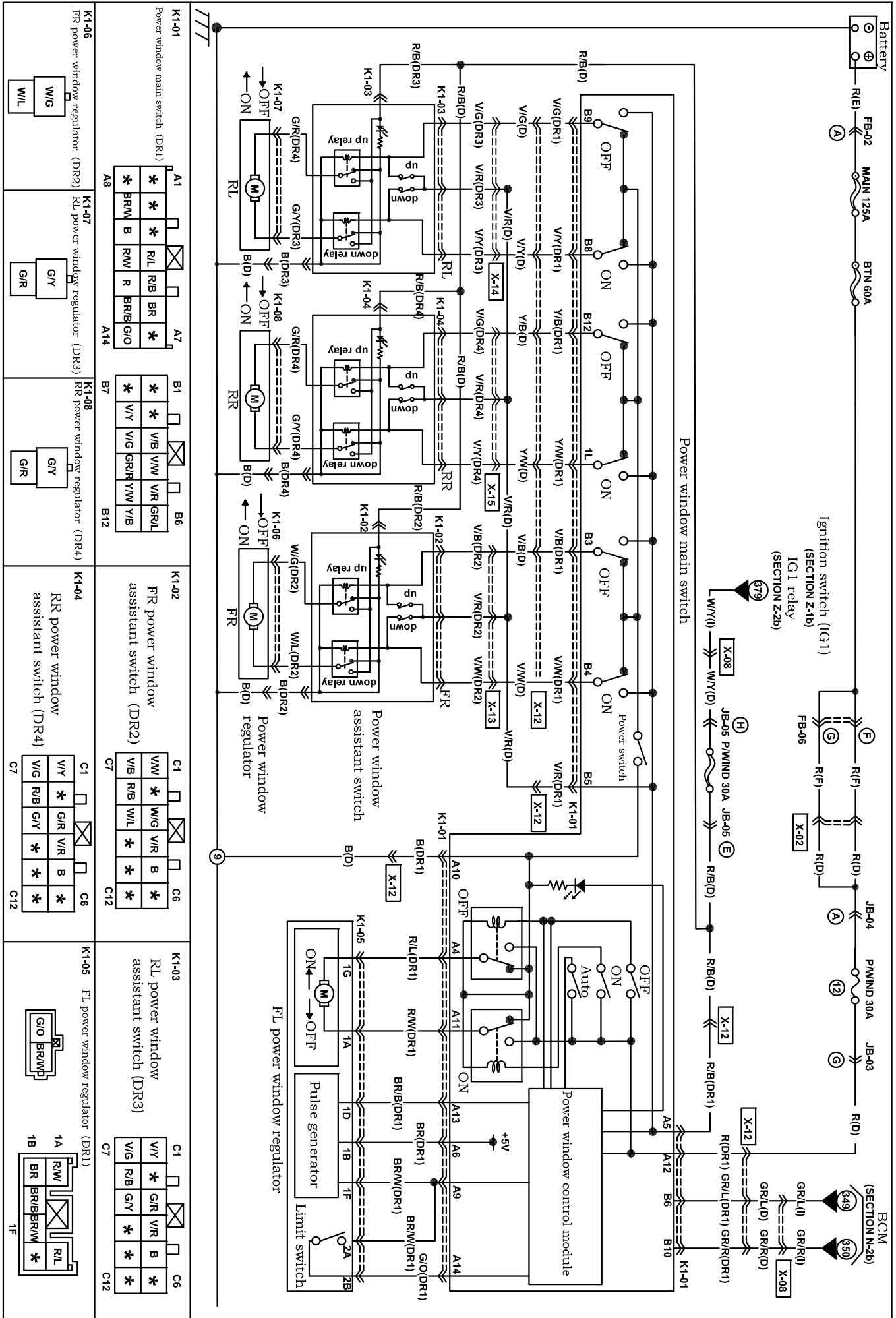


Harness mark:  (F)  (E)  (D)  (R)

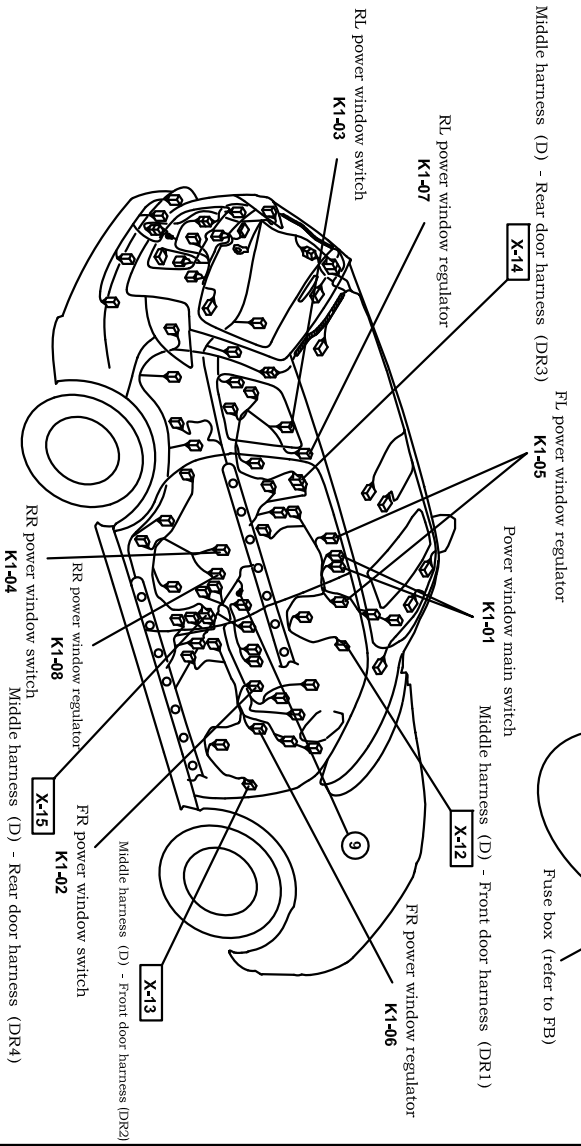
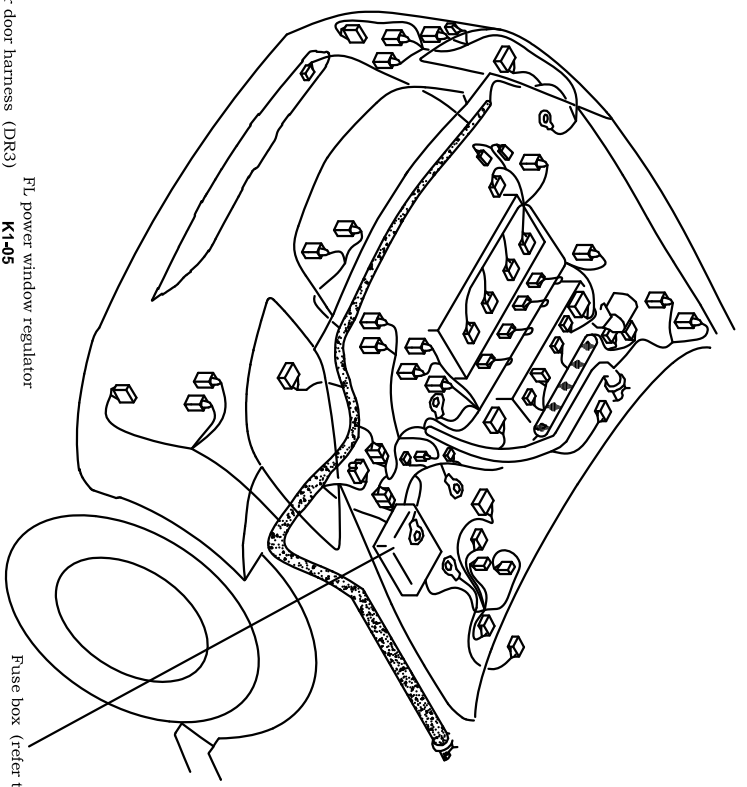
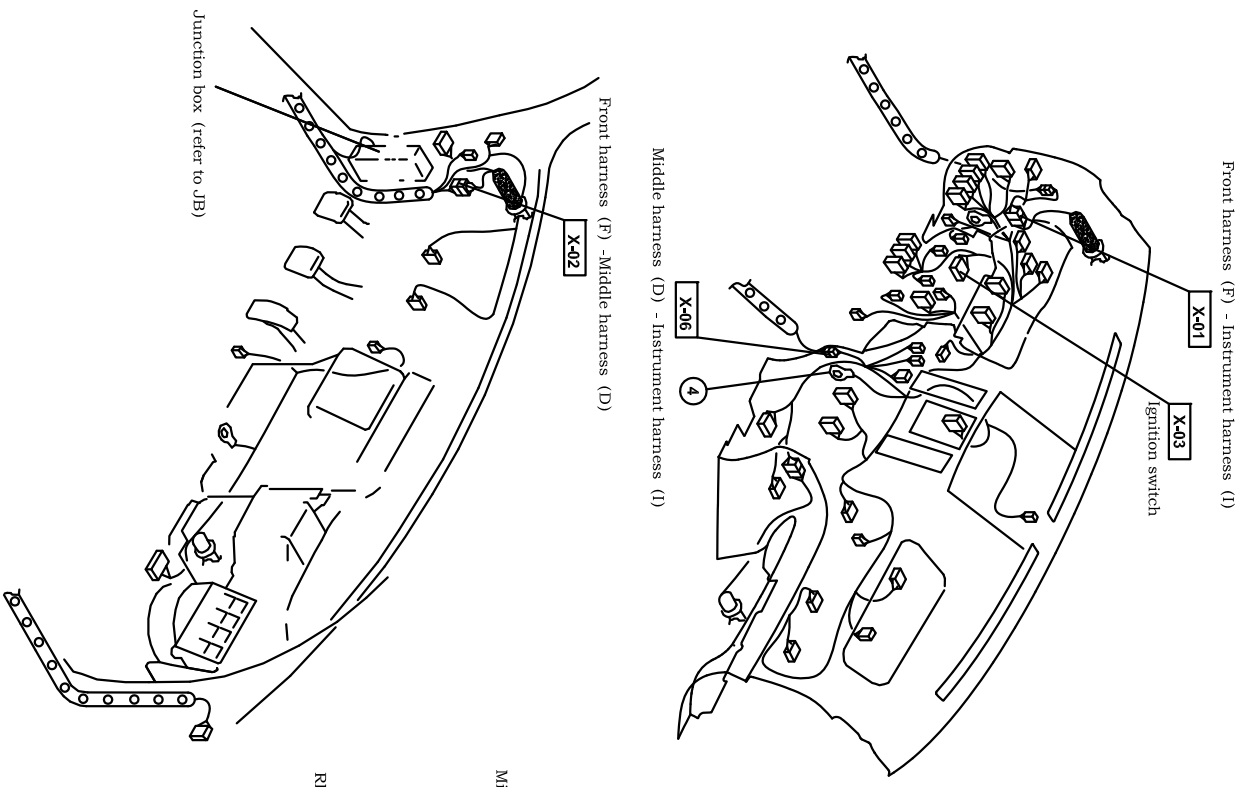


Power window system

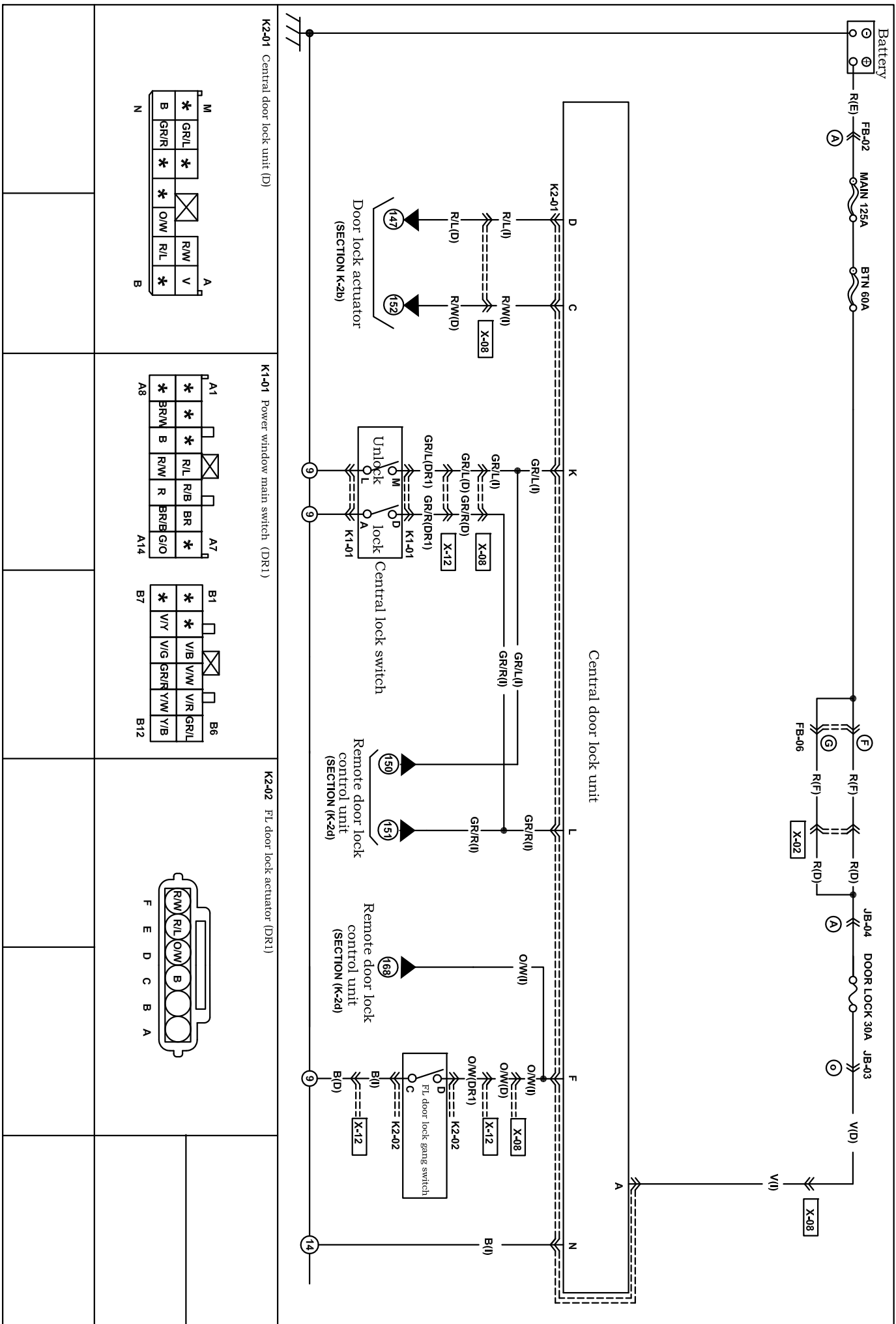
K-1



Harness mark: (F) (E) (D) (R)



K-1

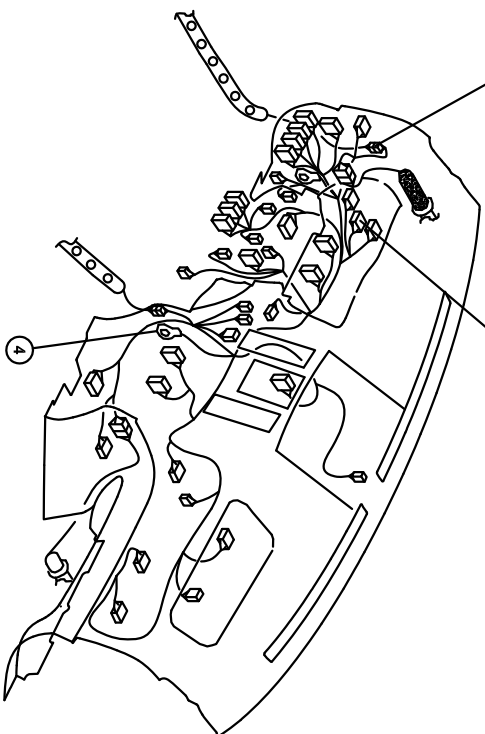


Harness mark:  (F)  (E)  (D)  (R)

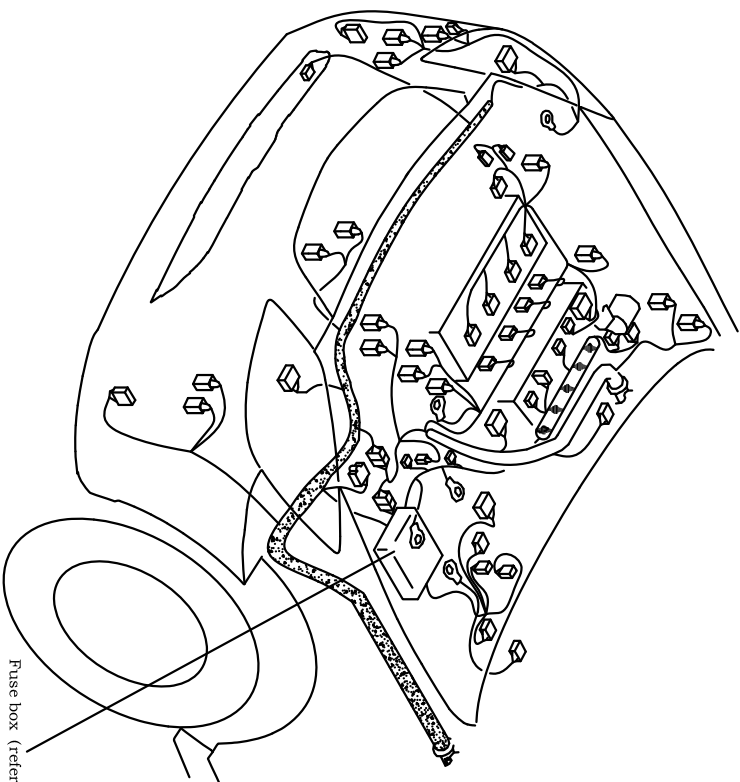
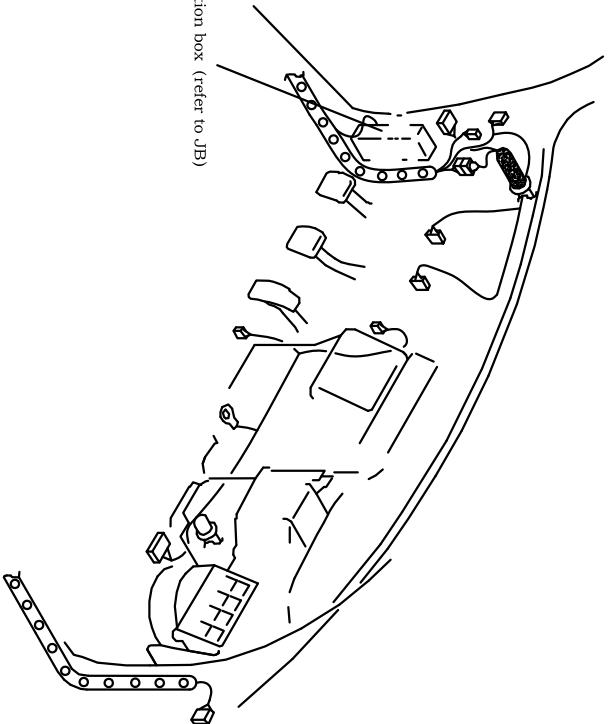
Middle harness (D) - Instrument harness (I)

Central door lock unit K2-01

X-08



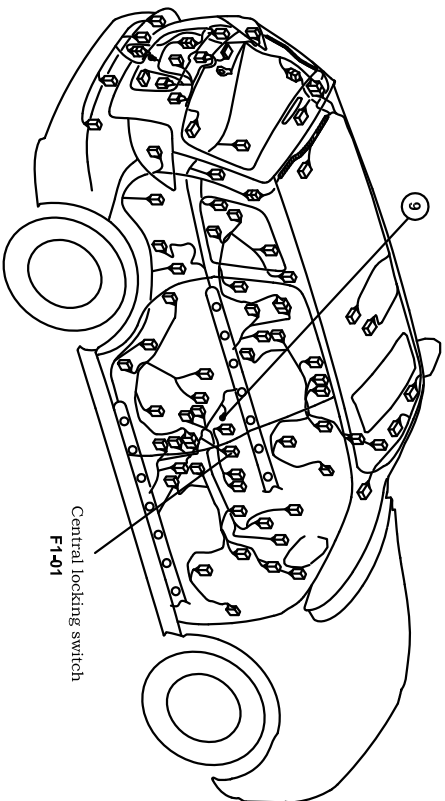
Junction box (refer to JB)



Fuse box (refer to FB)

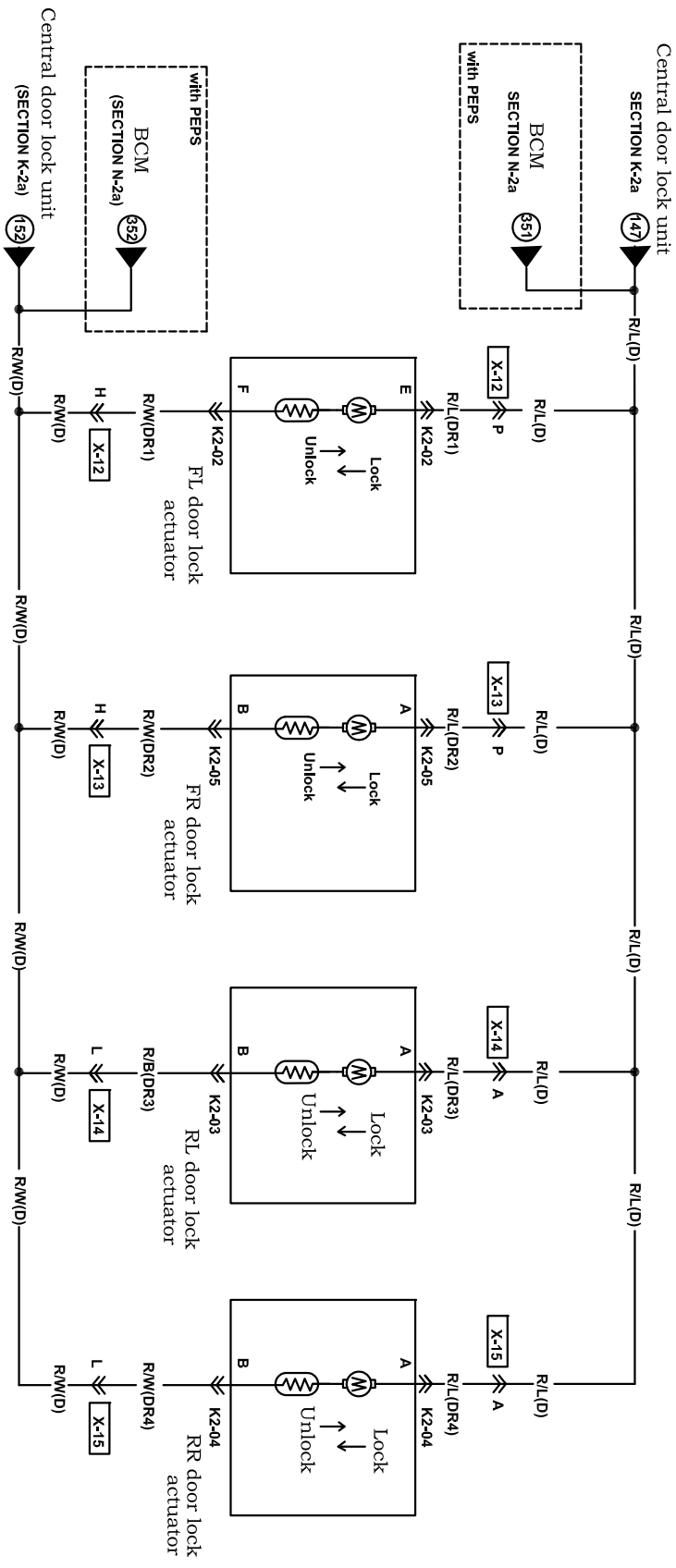
3

Central locking switch F1-01



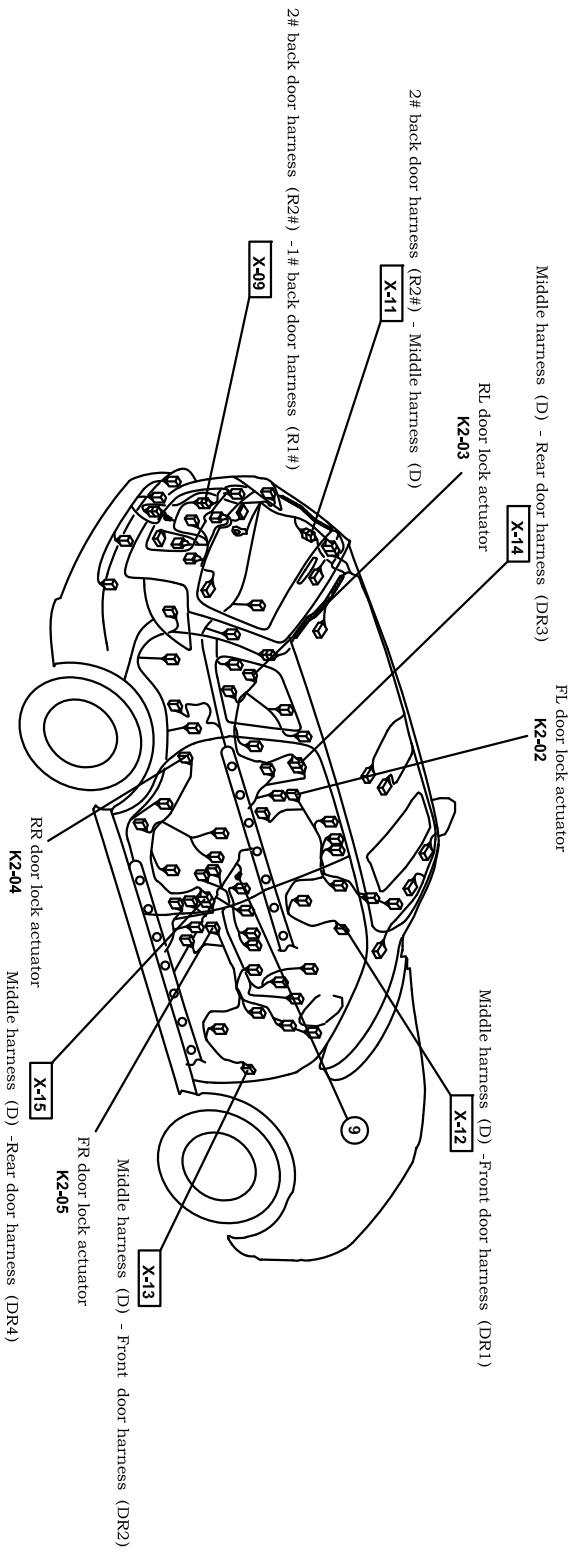
K-2a





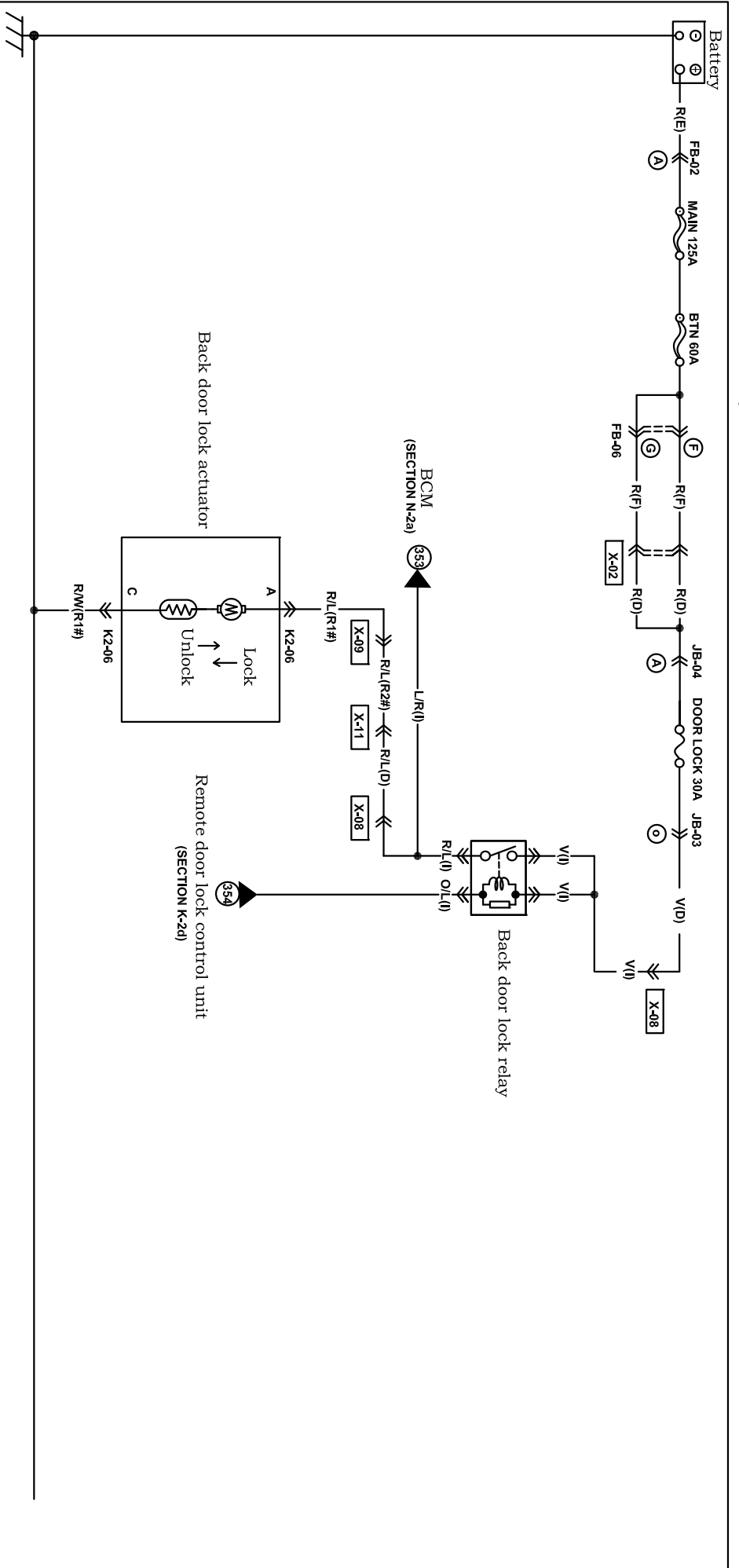
<p><b>K2-02</b> FL door lock actuator (DR1)</p>	<p><b>K2-04</b> RR door lock actuator (DR4)</p>			
<p><b>K2-03</b> RL door lock actuator (DR3)</p>	<p><b>K2-05</b> FR door lock actuator (DR2)</p>	<p>\$ with PEPs</p>		

Harness mark:  (F)  (E)  (D)  (R)

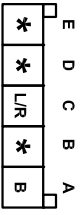


Remote and central door lock system

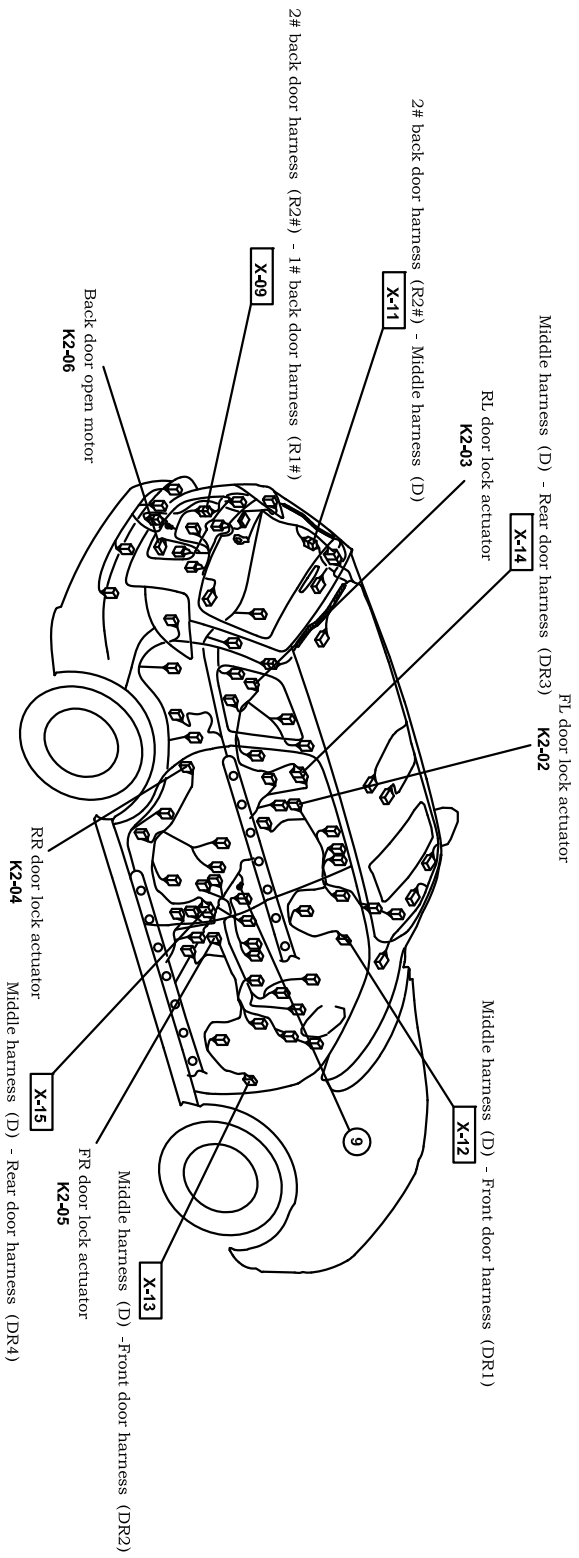
K-2c

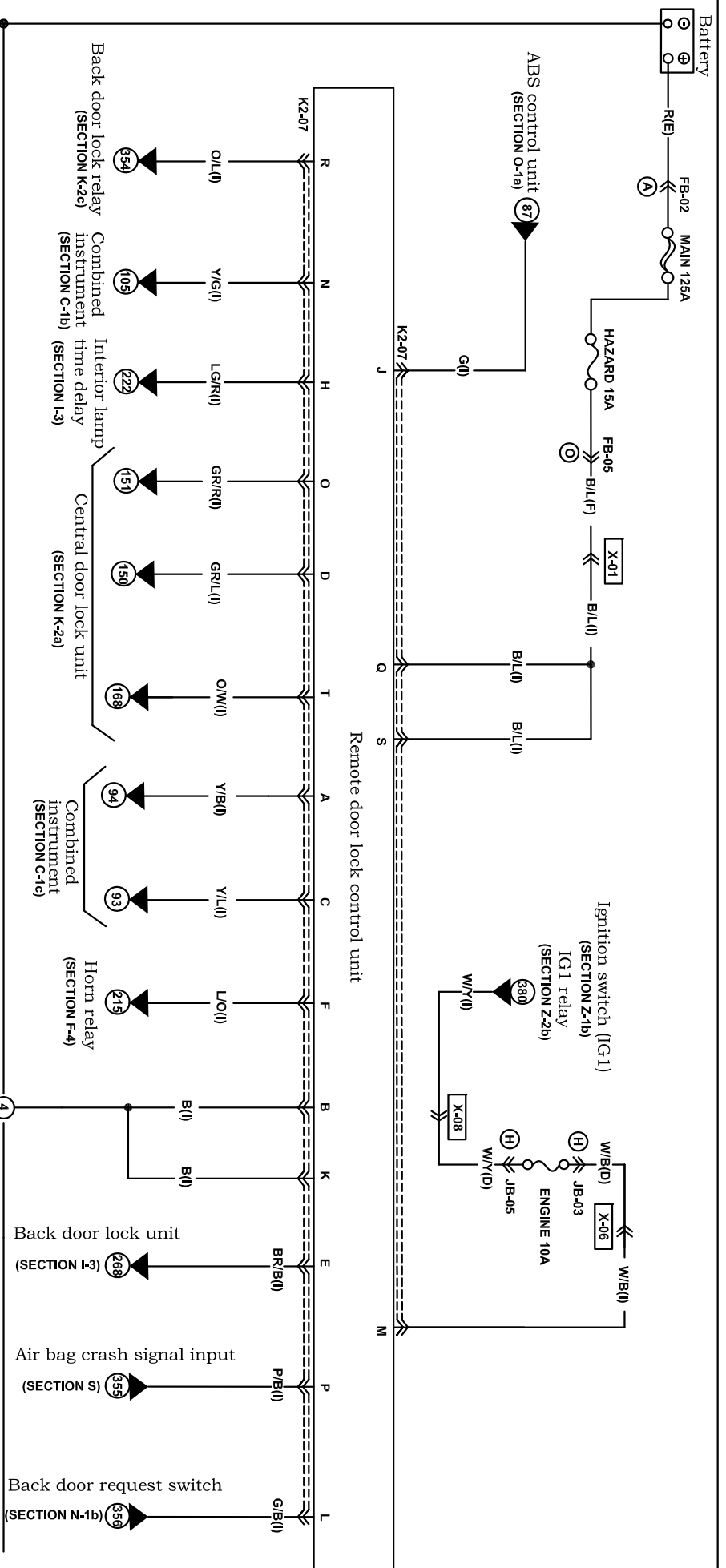


K2-06 Back door open motor (R1 #)




Harness mark: (F) (E) (D) (R)

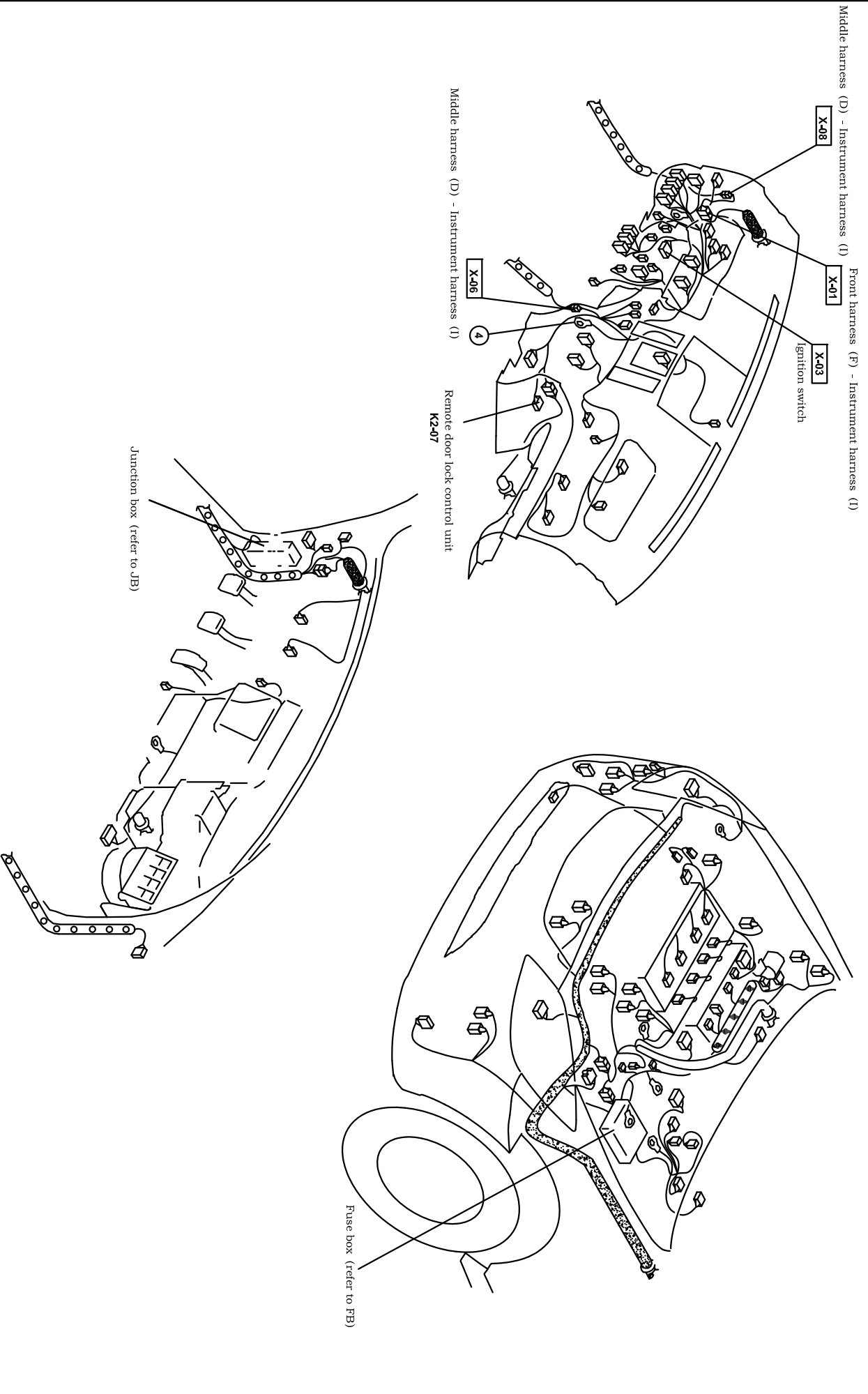




K2-07 Remote door lock control unit (I)

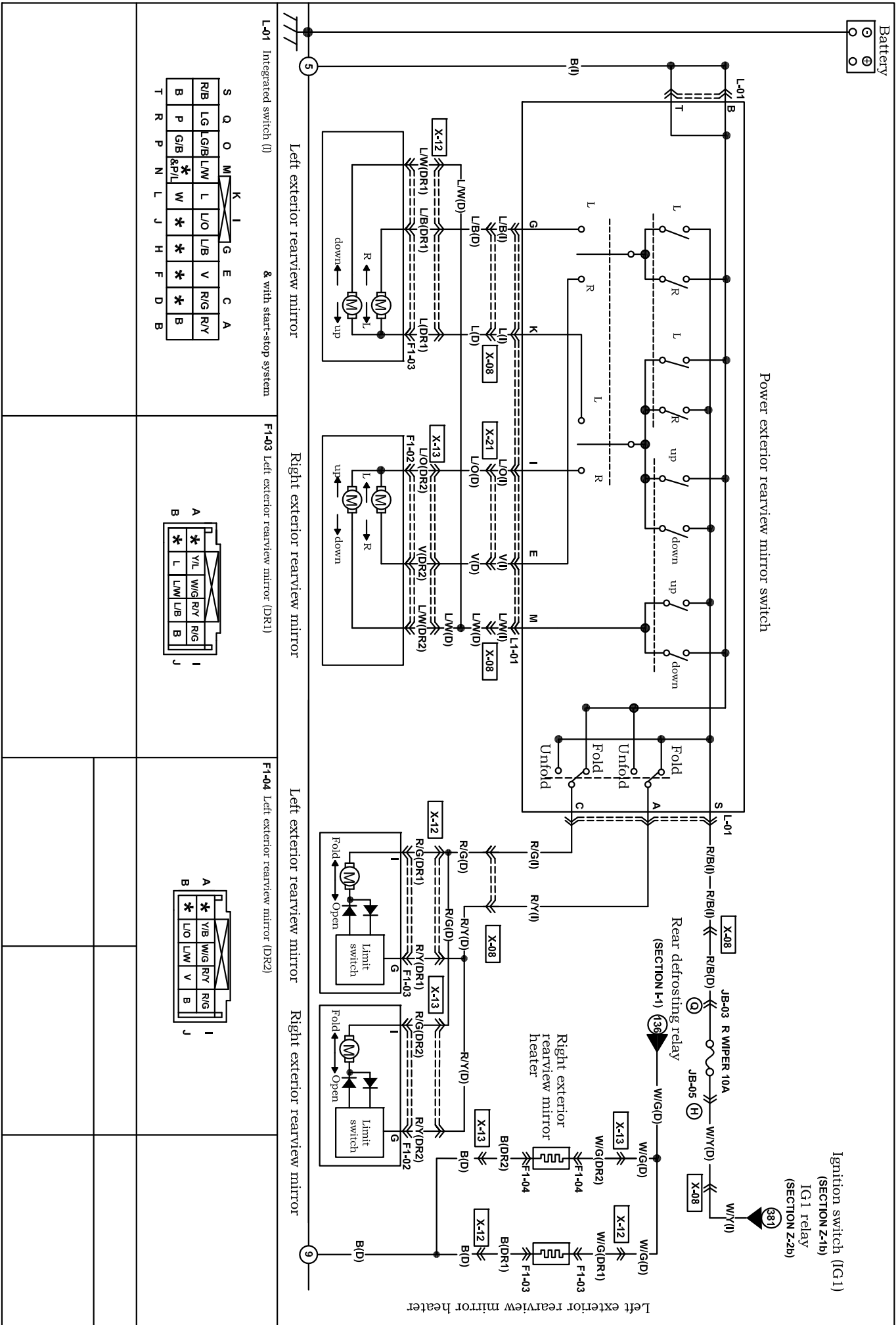
S	Q	O	M	K	I	G	E	C	A
B/L	B/L	GR/R	W/B	B	*	BR/B	Y/L	Y/B	
O/W	O/L	P/B	Y/G	G/B	G	LG/R	L/O	GR/L	B
T	R	P	N	L	J	H	F	D	B

Harness mark:  (F)  (E)  (D)  (R)



K-2d

# Exterior rearview mirror heater / Power exterior rearview mirror



Harness mark: (F) (E) (D) (R)

Front harness (F) - Instrument harness (I)

Middle harness (D) - Instrument harness (I)

X-08

X-01

X-03  
Ignition switch

Integrated switch  
L1-01

5

X-06

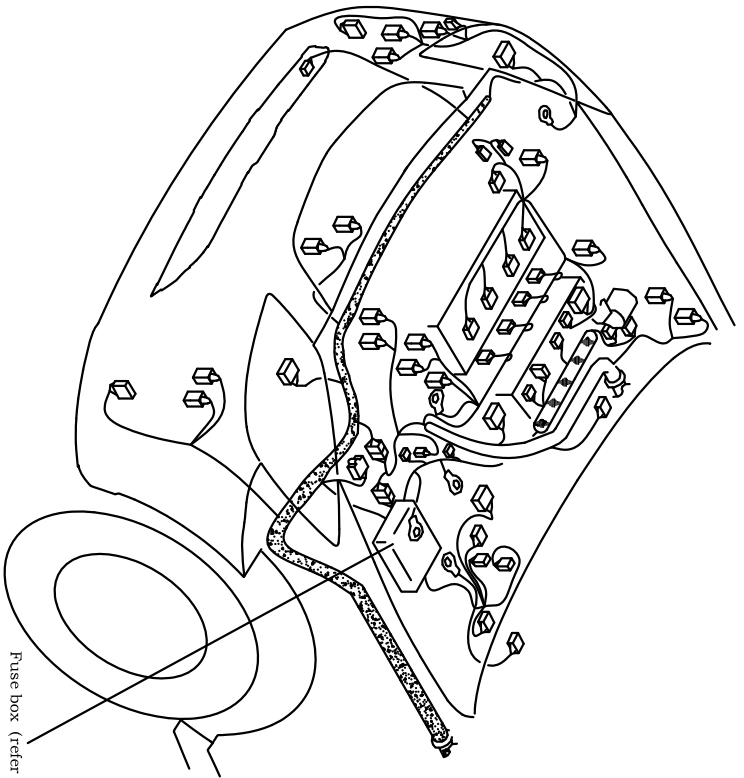
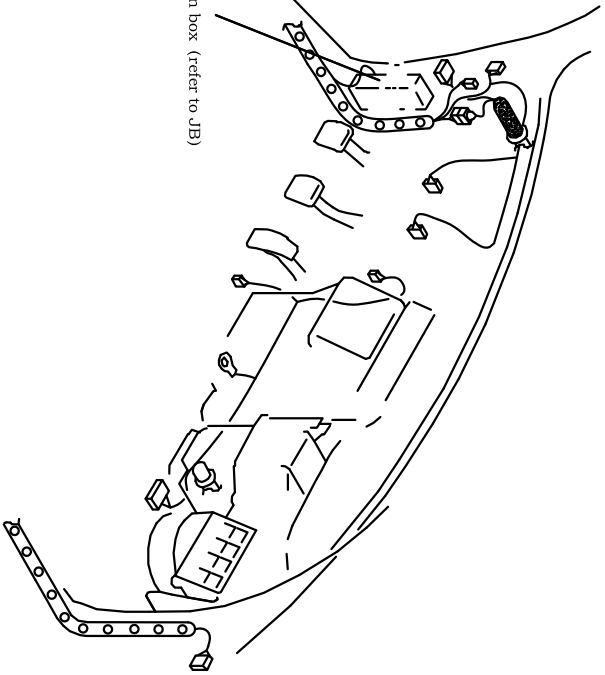
Middle harness (D) - Instrument harness (I)

X-019

Middle harness (D) - Instrument harness (I)

X-020  
Middle harness (D) - Instrument harness (I)

Junction box (refer to JB)



Fuse box (refer to FB)

Left exterior rearview mirror  
F1-03

Middle harness (D) - Front door harness (DR1)

X-12

Right exterior rearview mirror  
F1-04

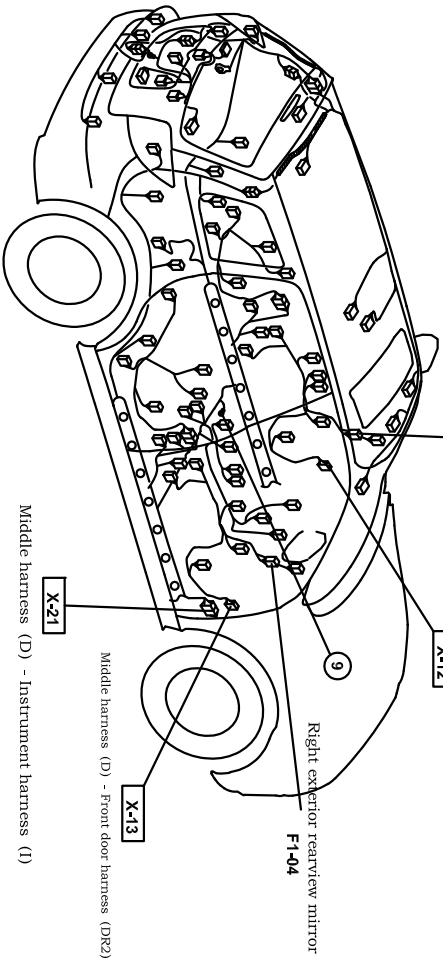
9

X-13

Middle harness (D) - Front door harness (DR2)

X-21

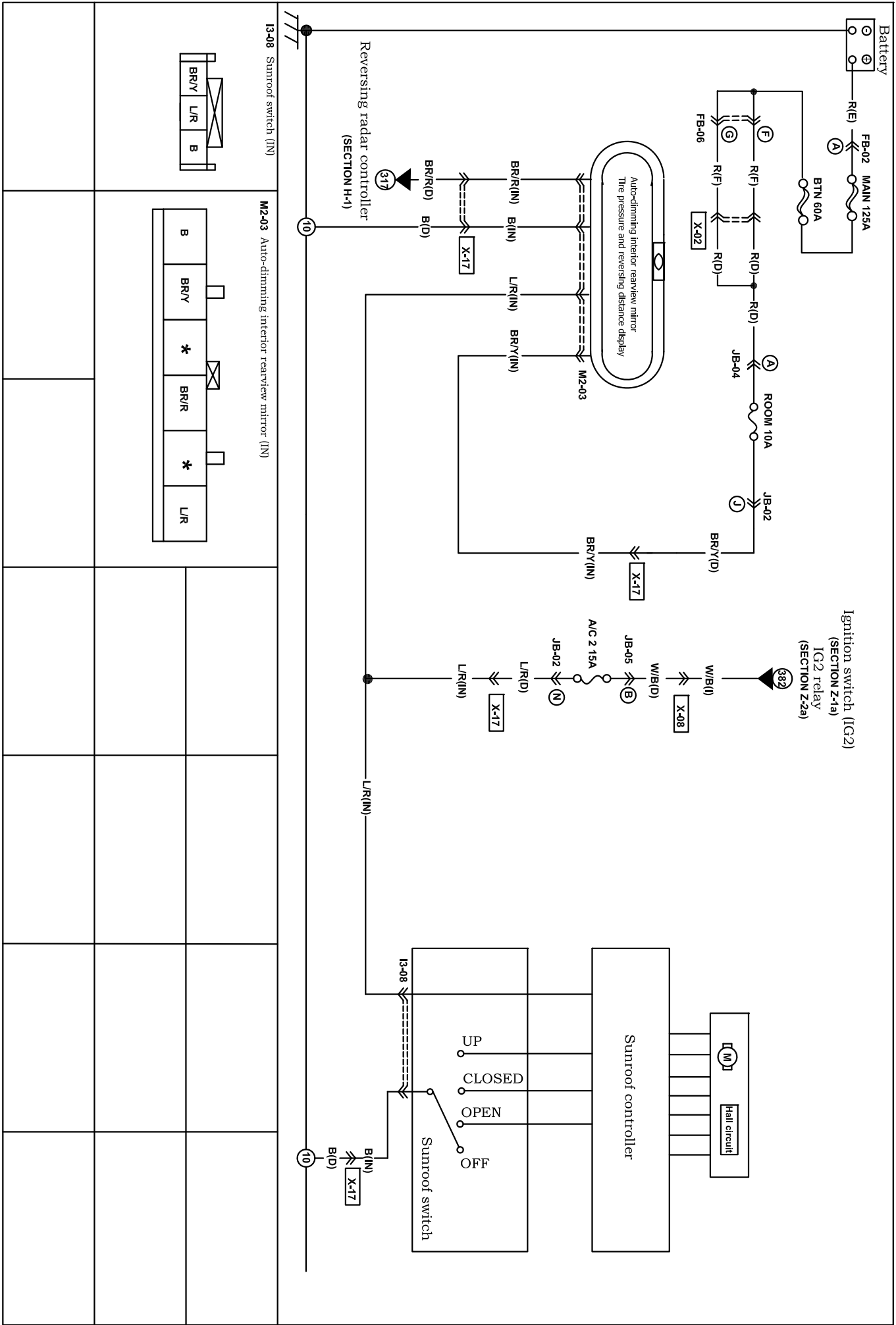
Middle harness (D) - Instrument harness (I)





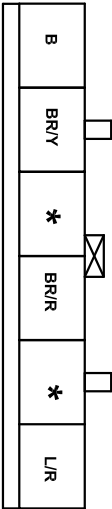
Sunroof and auto-dimming interior rearview mirror (with tire pressure and reversing distance display)

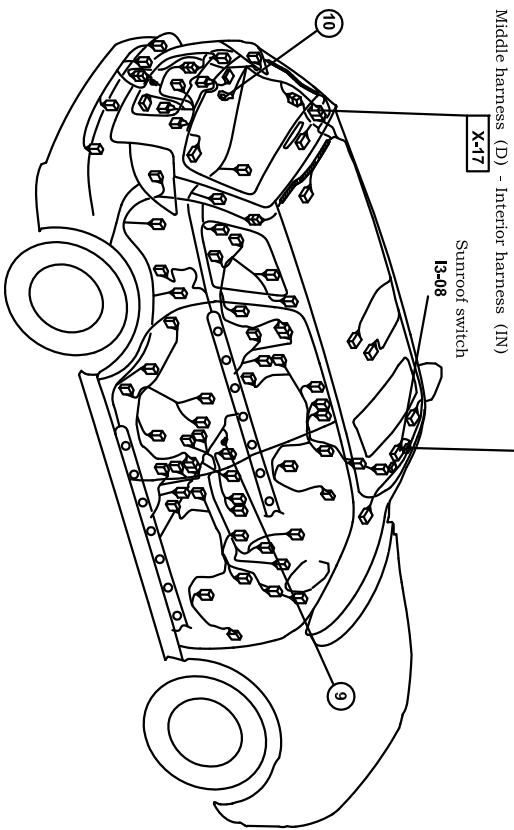
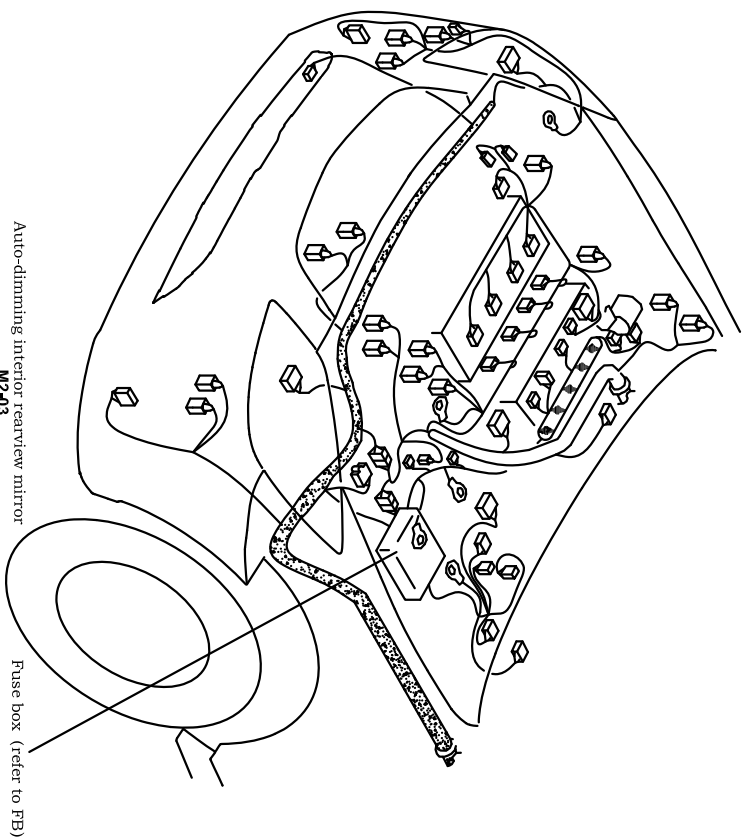
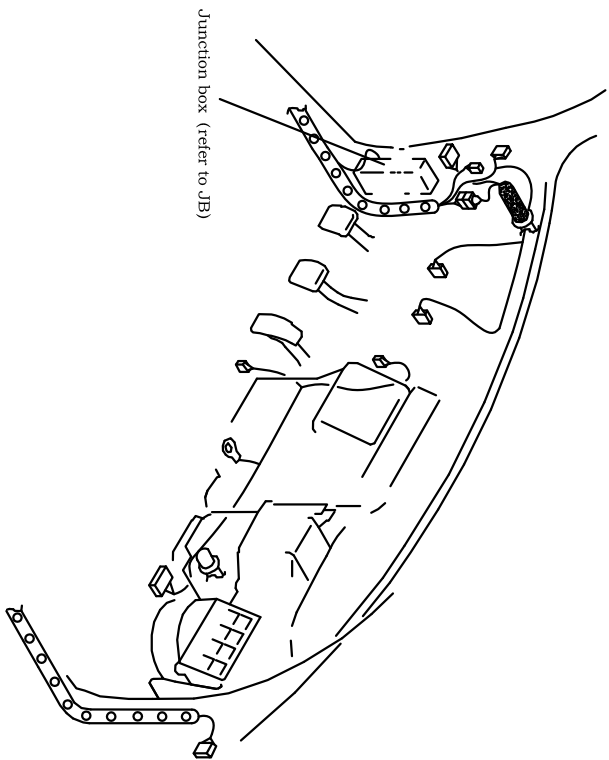
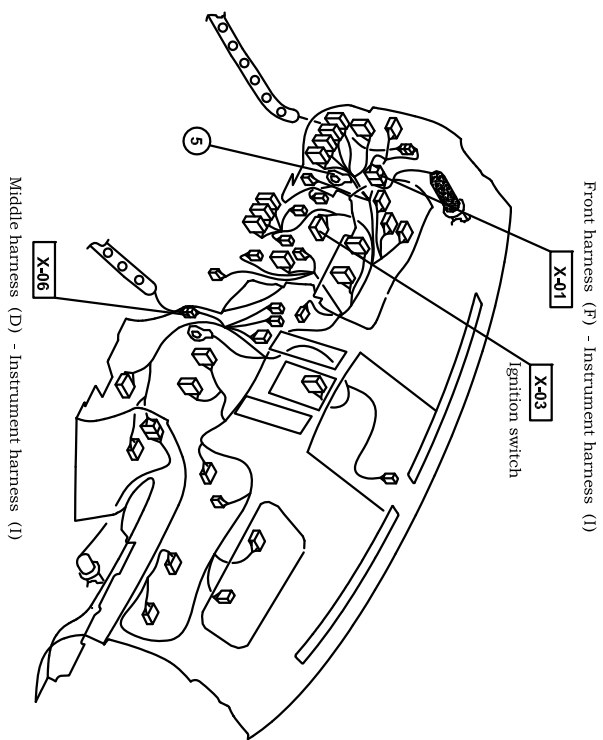
M

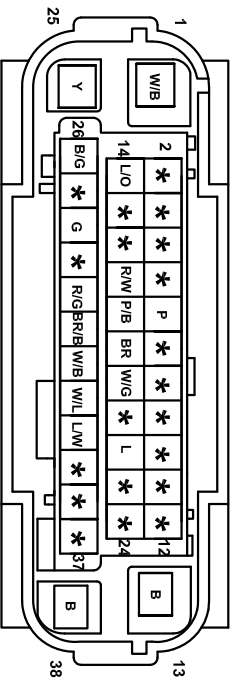
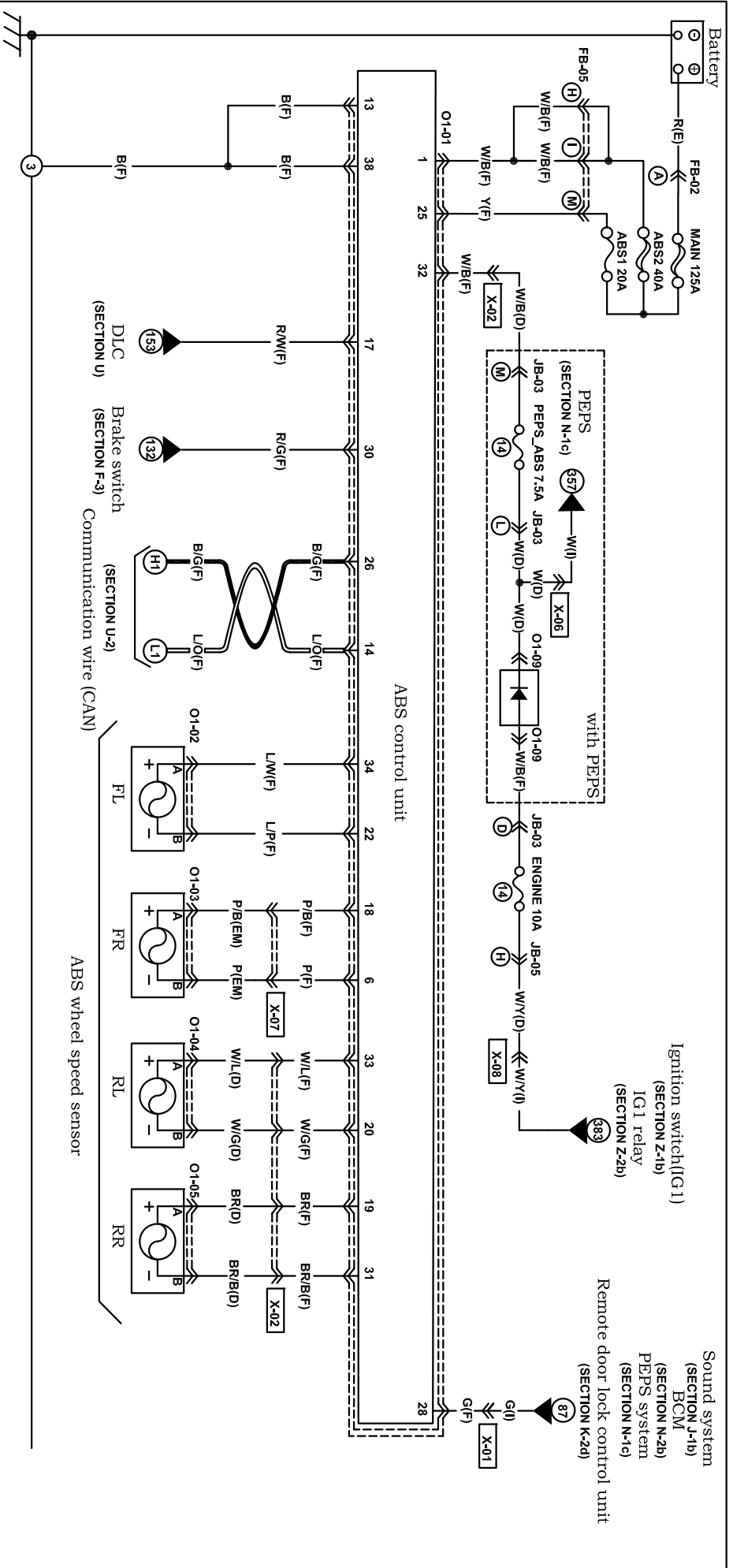






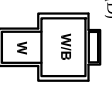
13-08 Sunroof switch (IN)

M2-03 Auto-dimming Interior rearview mirror (IN)

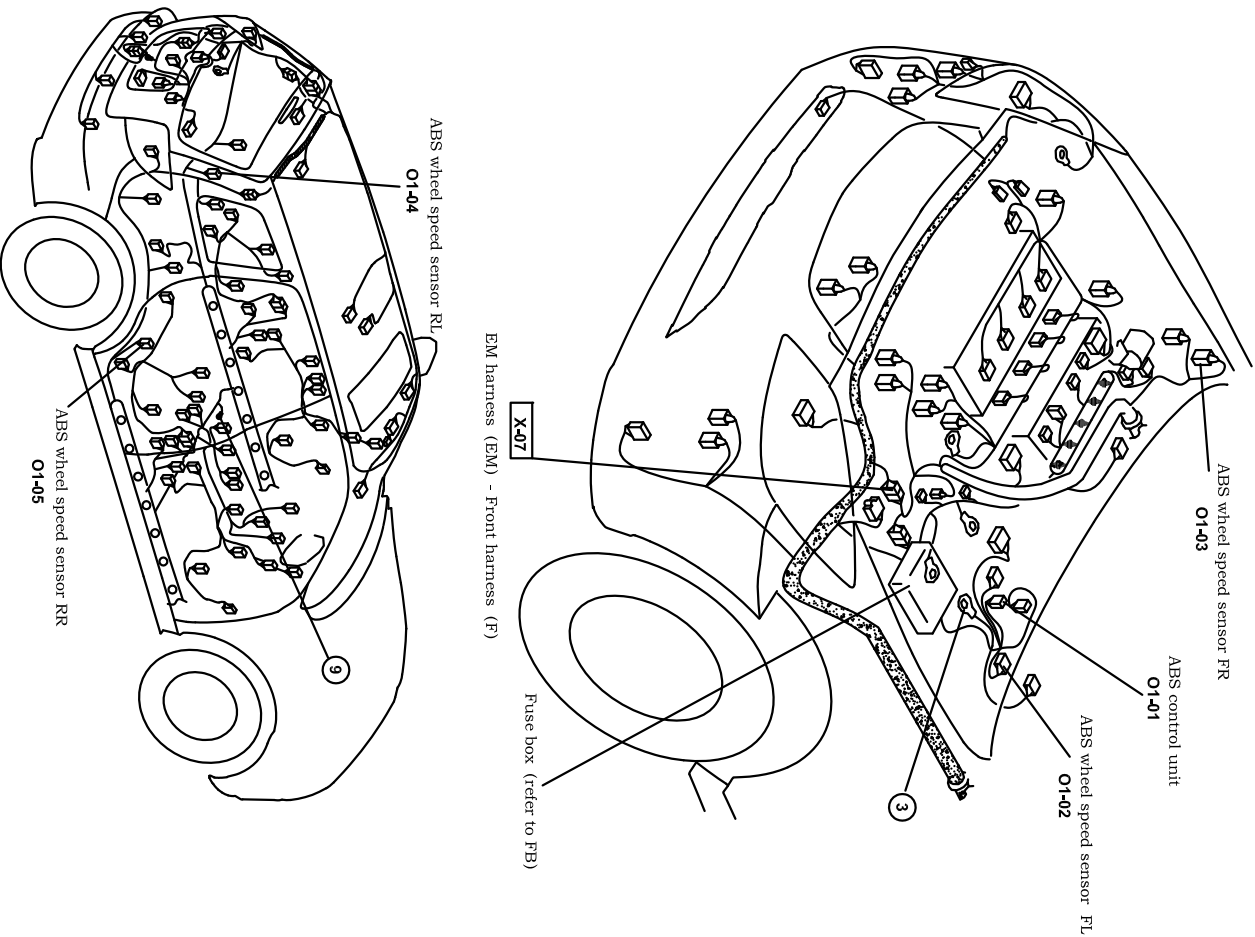
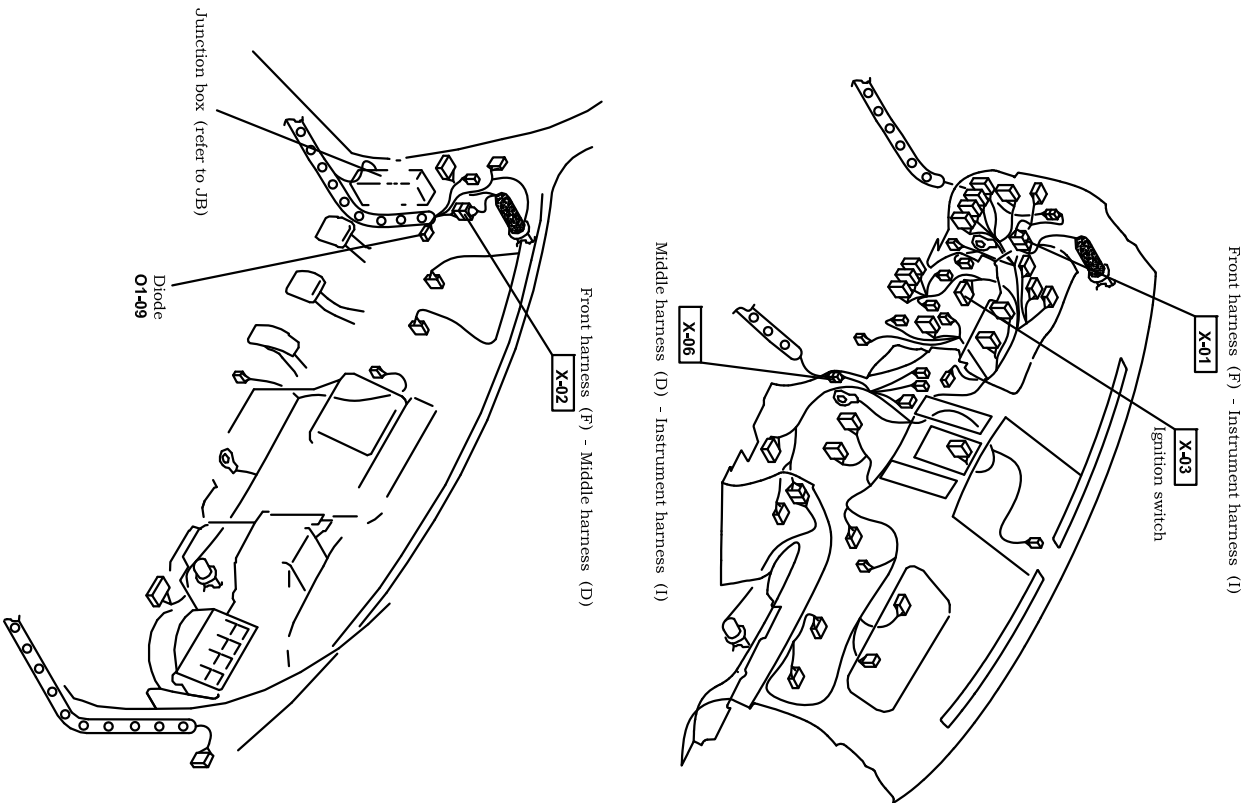


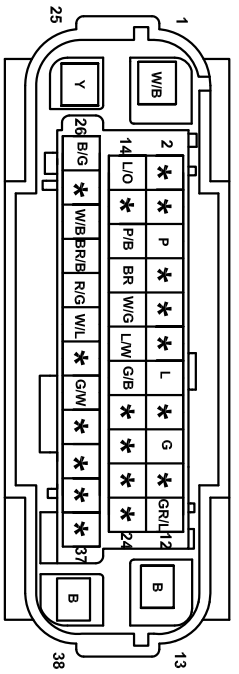
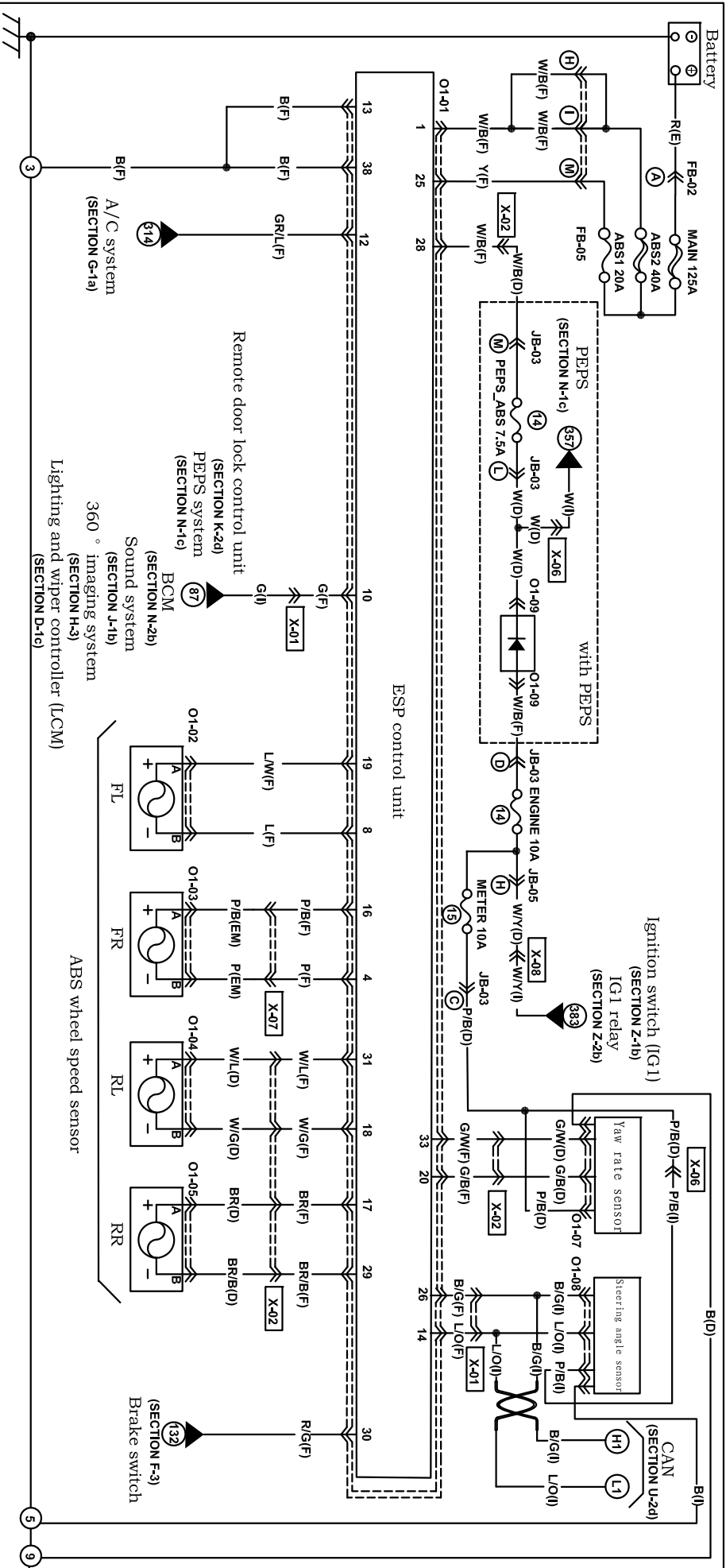




<p>O1-01 ABS control unit (F)</p>			
<p>O1-02 ABS wheel speed sensor FL (EM)</p> 	<p>O1-03 ABS wheel speed sensor FR (EM)</p> 		
<p>O1-04 ABS wheel speed sensor RL (D)</p> 	<p>O1-05 ABS wheel speed sensor RR (D)</p> 		
<p>O1-09 Diode (D)</p> 			

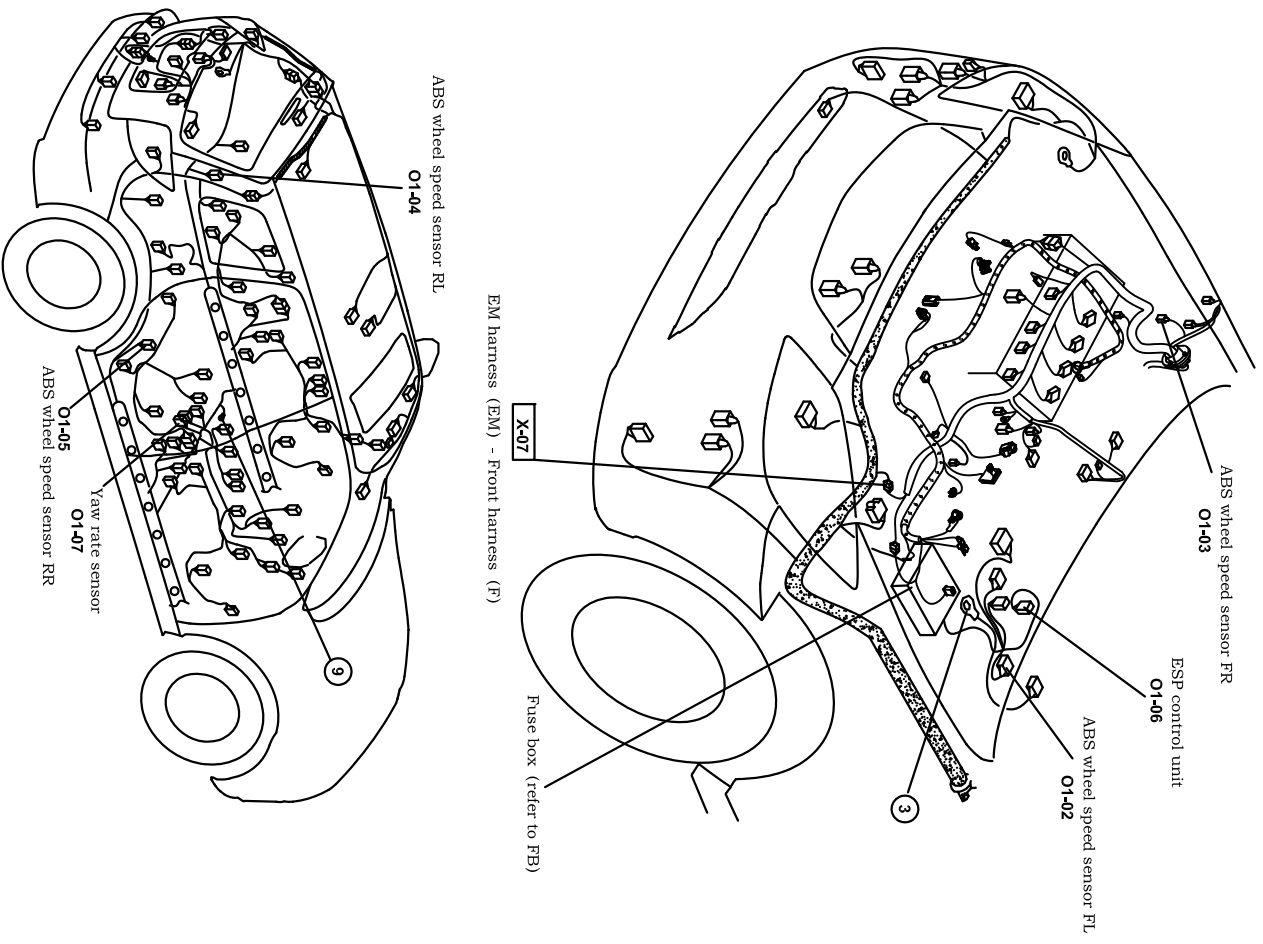
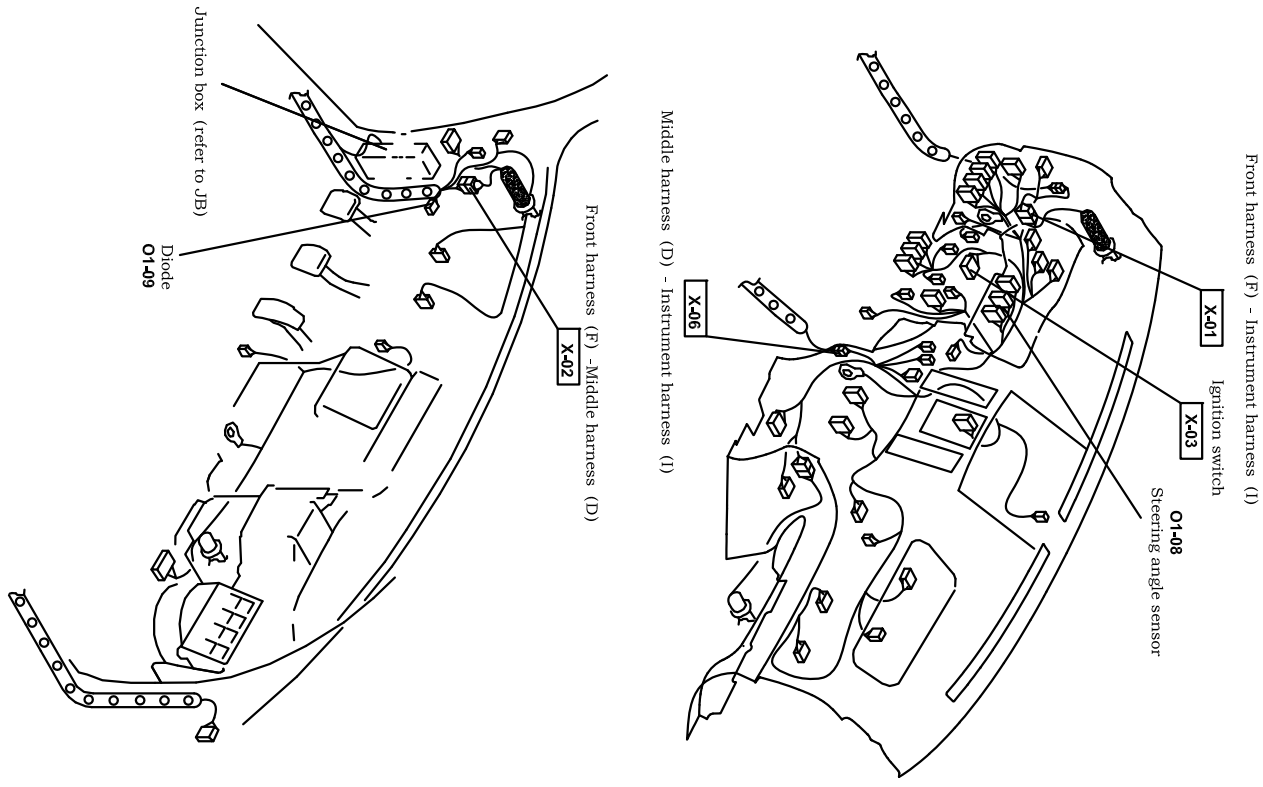
Harness mark: (F) (E) (D) (R)

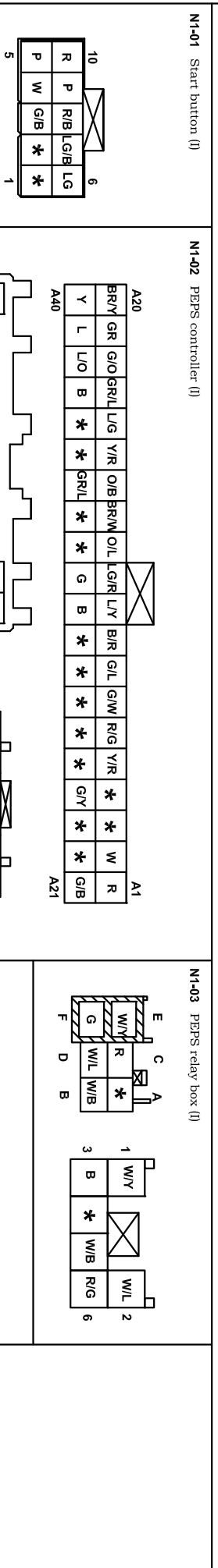
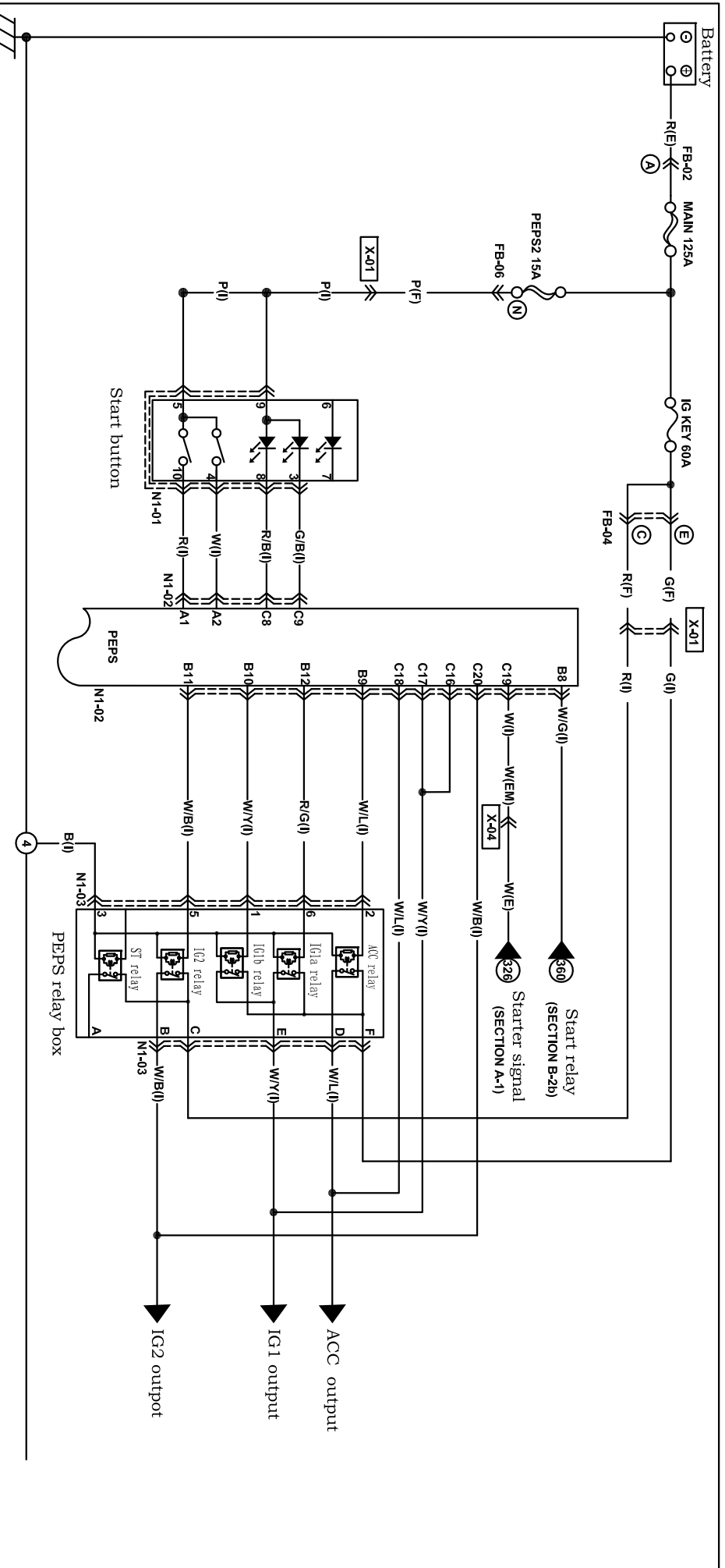




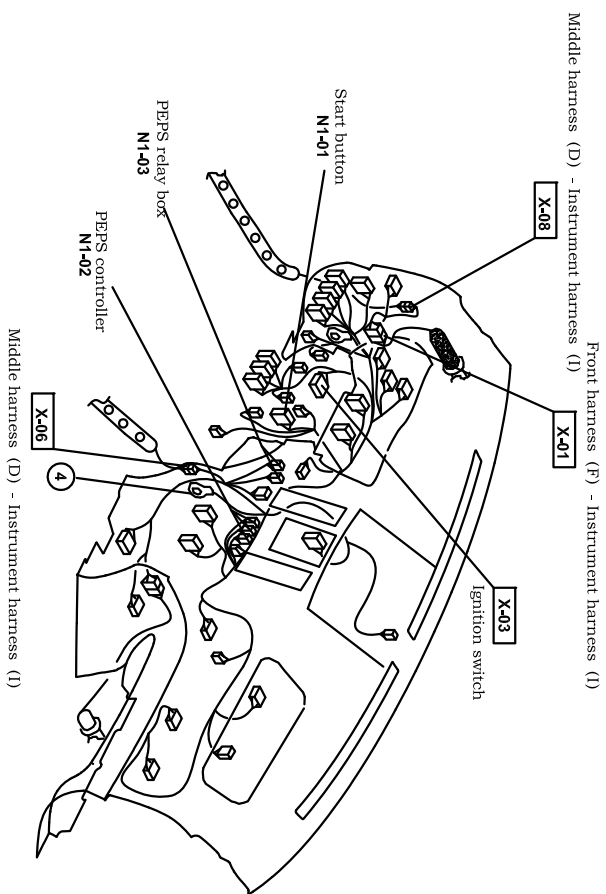
O1-42	ABS wheel speed sensor FL (EM)	
O1-43	ABS wheel speed sensor FR (EM)	
O1-44	ABS wheel speed sensor RL (D)	
O1-45	ABS wheel speed sensor RR (D)	
O1-46	ESP control unit (F)	
O1-47	Yaw rate sensor (D)	
O1-48	Steering angle sensor (I)	
O1-49	Diode (D)	

Harness mark :  (F)  (E)  (D)  (R)

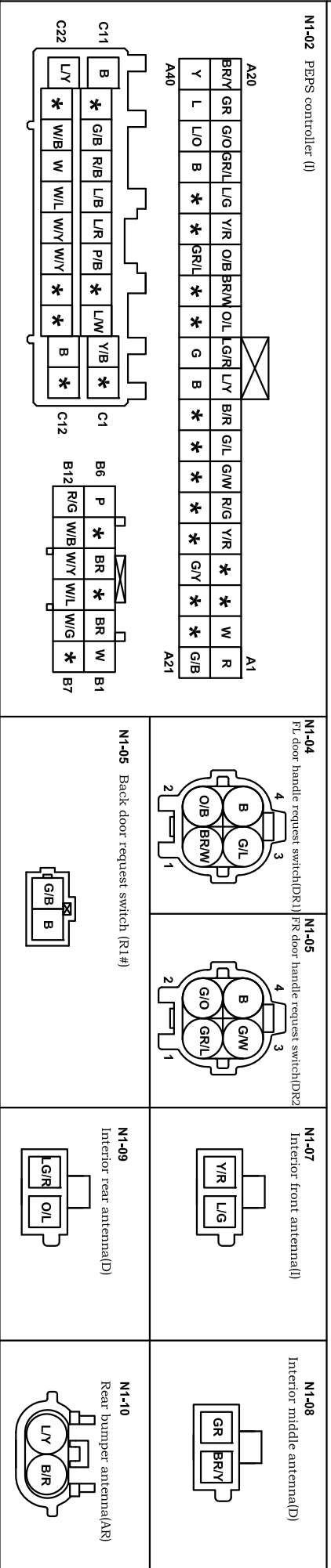
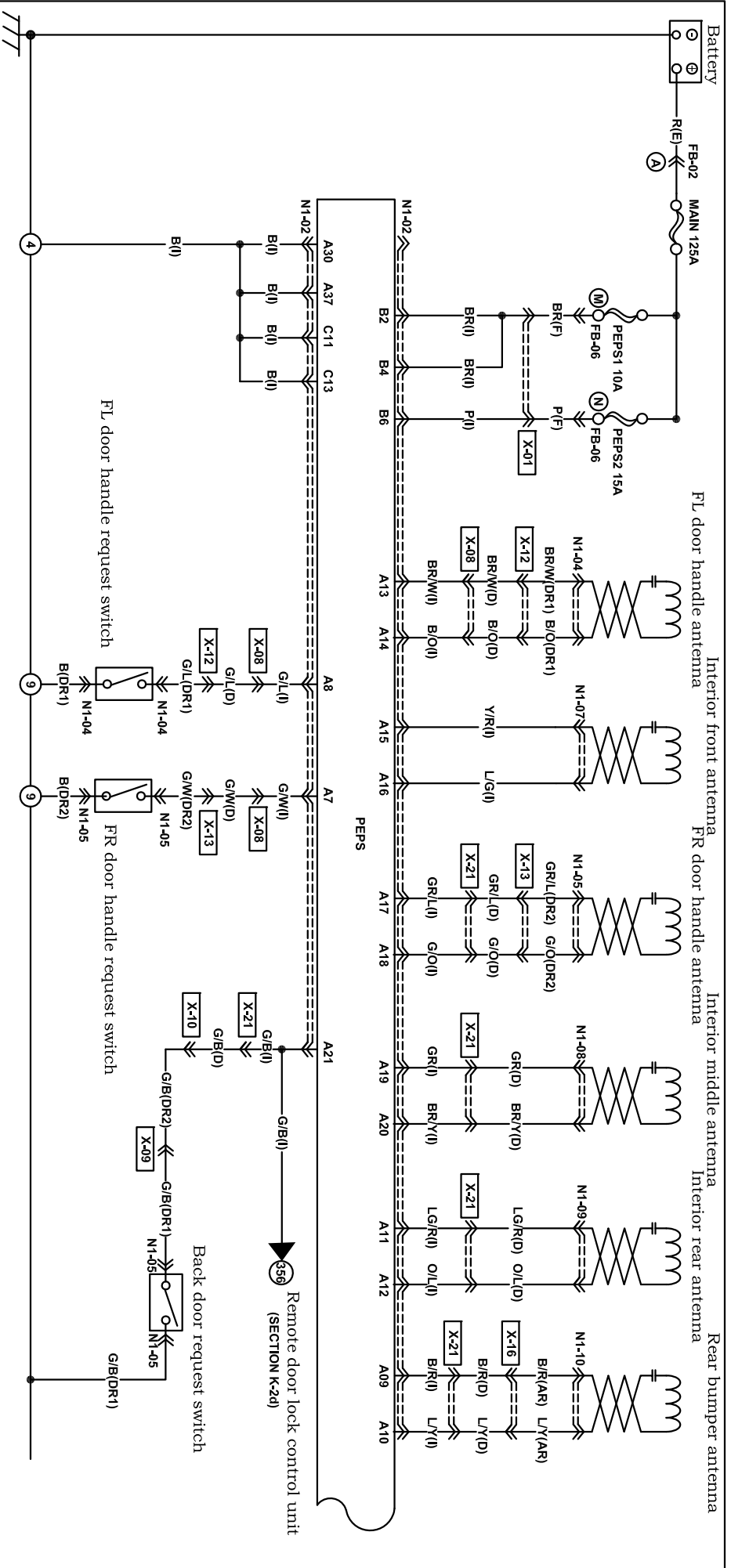


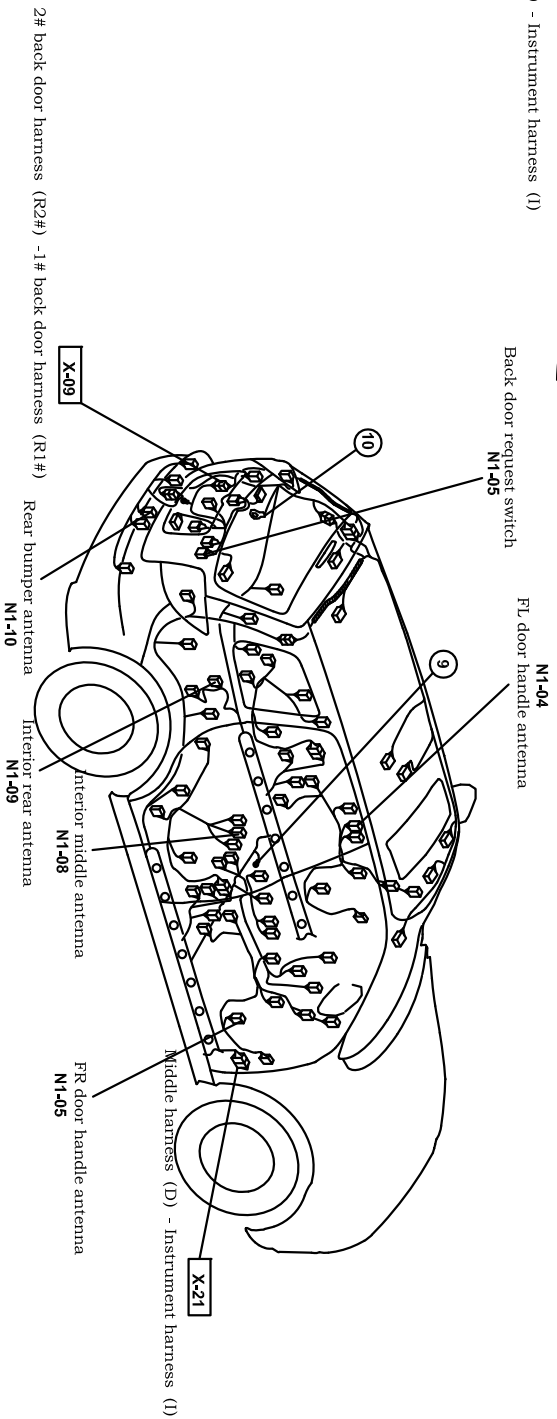
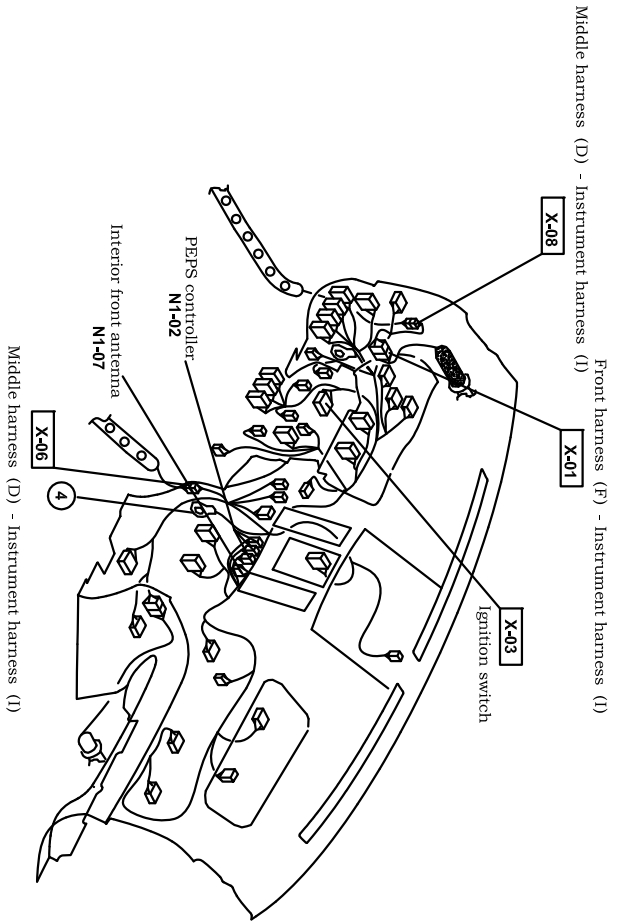


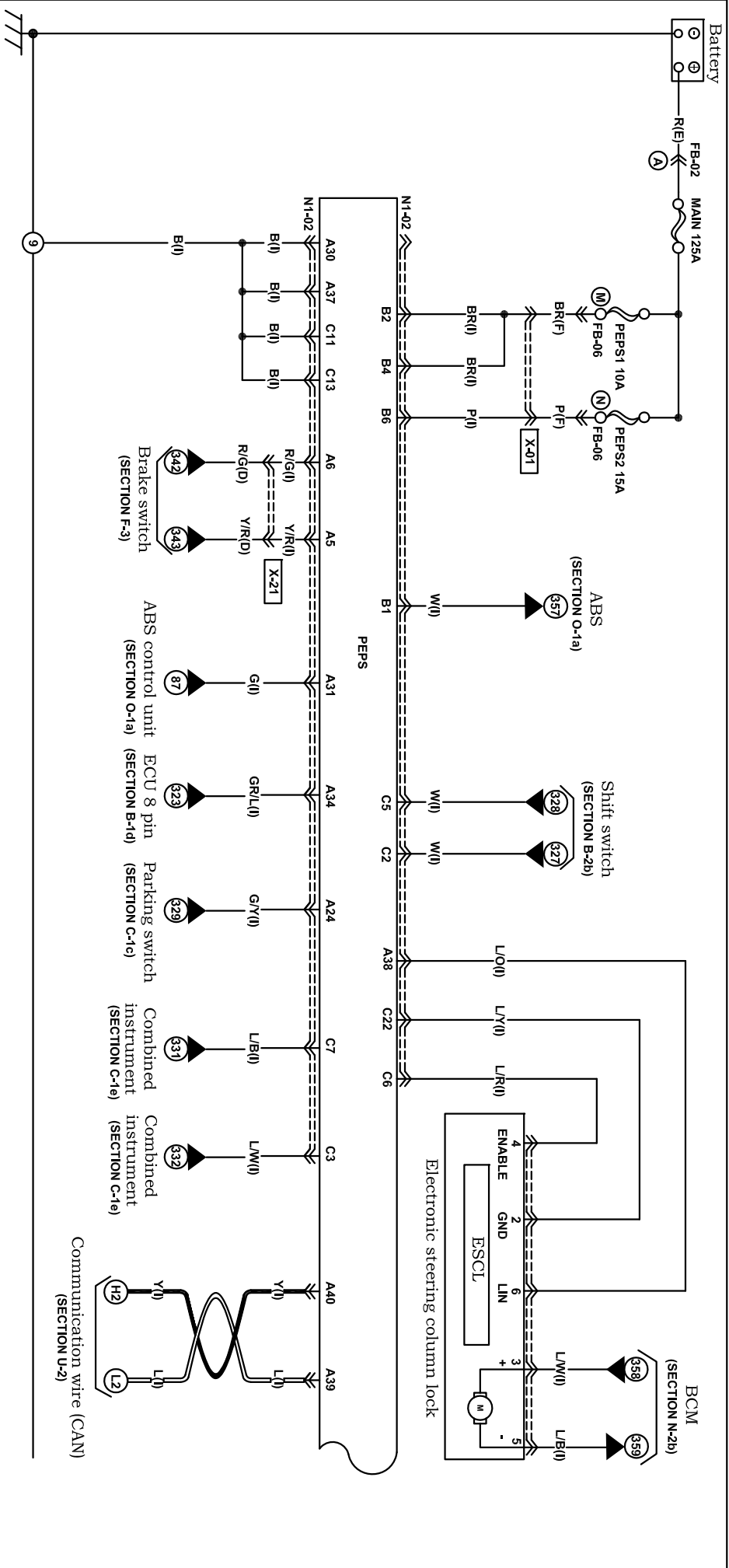
Harness mark :  (F)  (E)  (D)  (R)



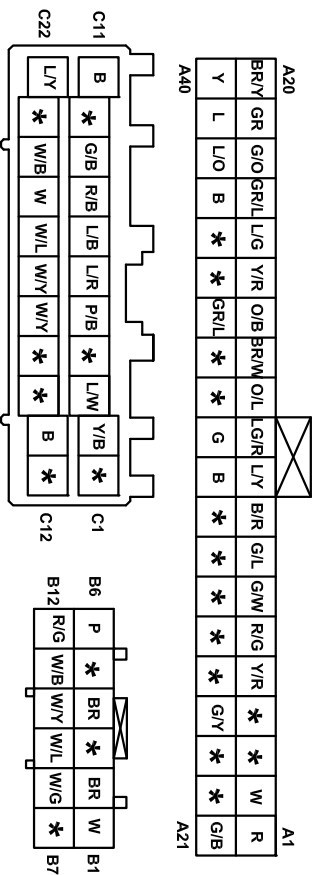




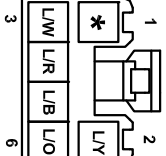




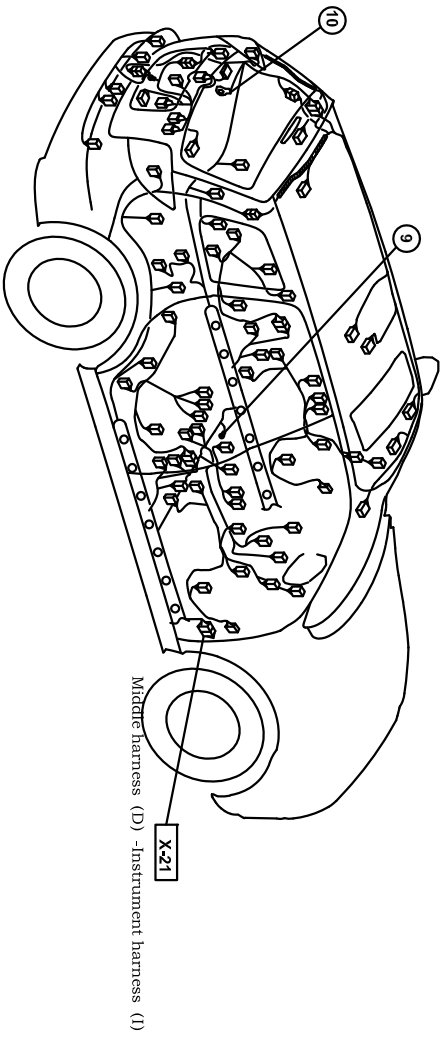
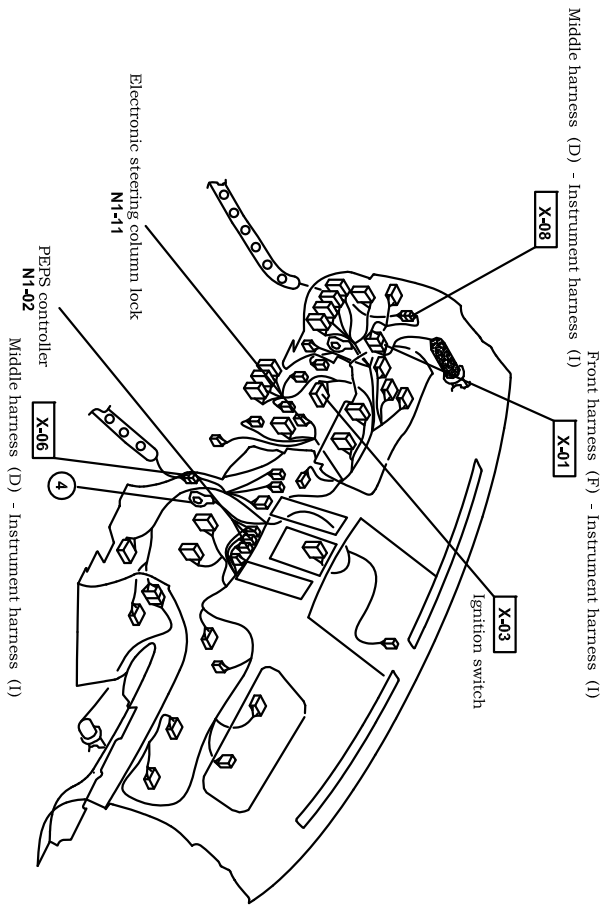
N1-02 PEPS controller (I)

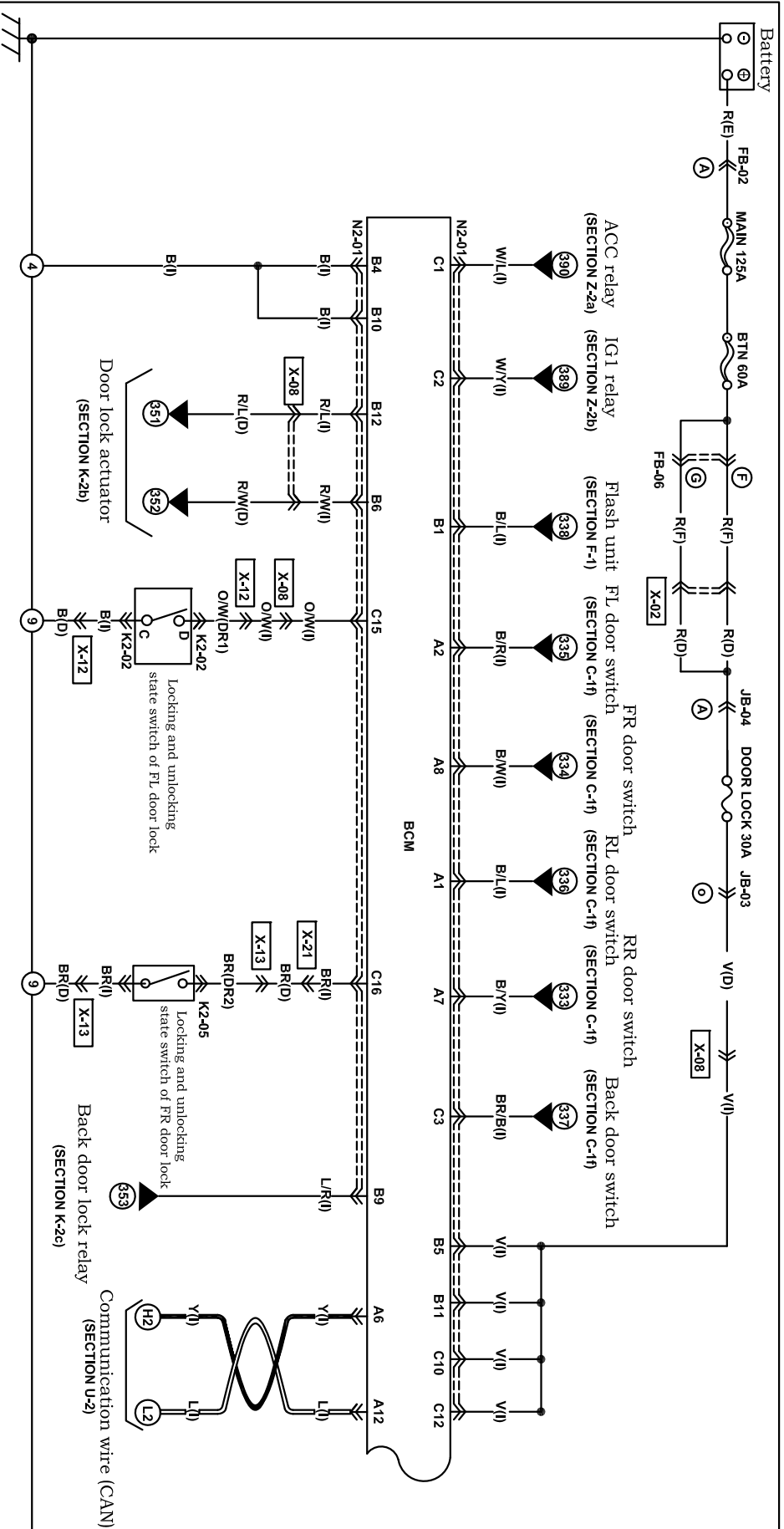


N1-11 Electronic steering column lock (I)



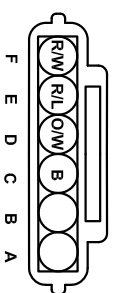
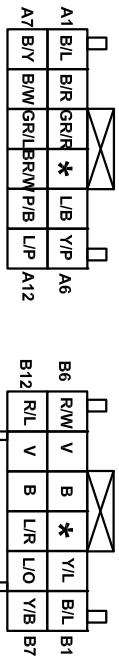
Harness mark: (F) (E) (D) (R)



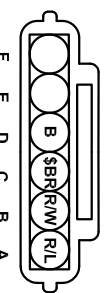


N2-01 Body control system (BCM) (1)

K2-02 FL door lock actuator (DR1)

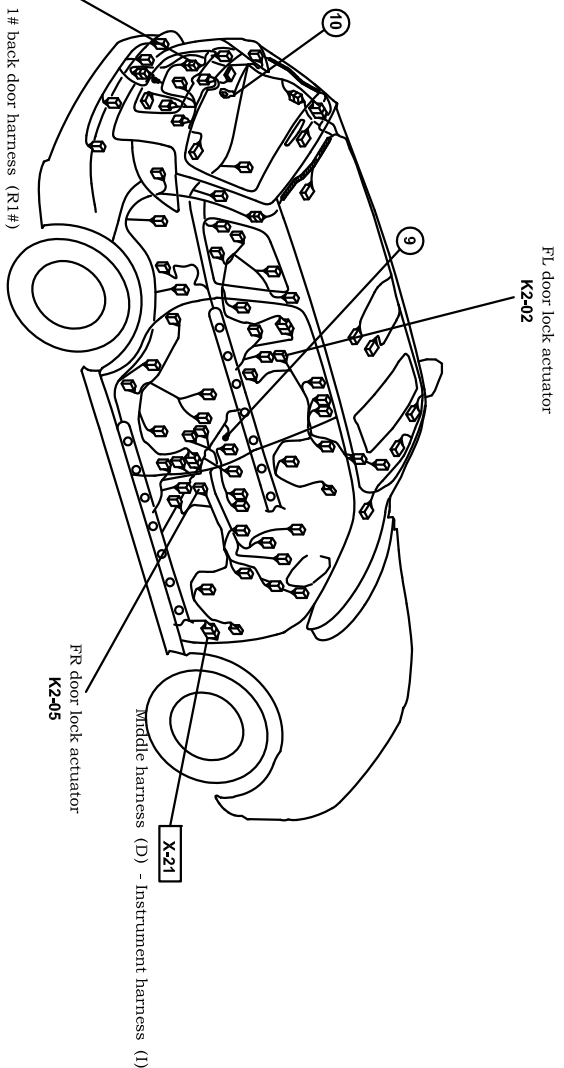
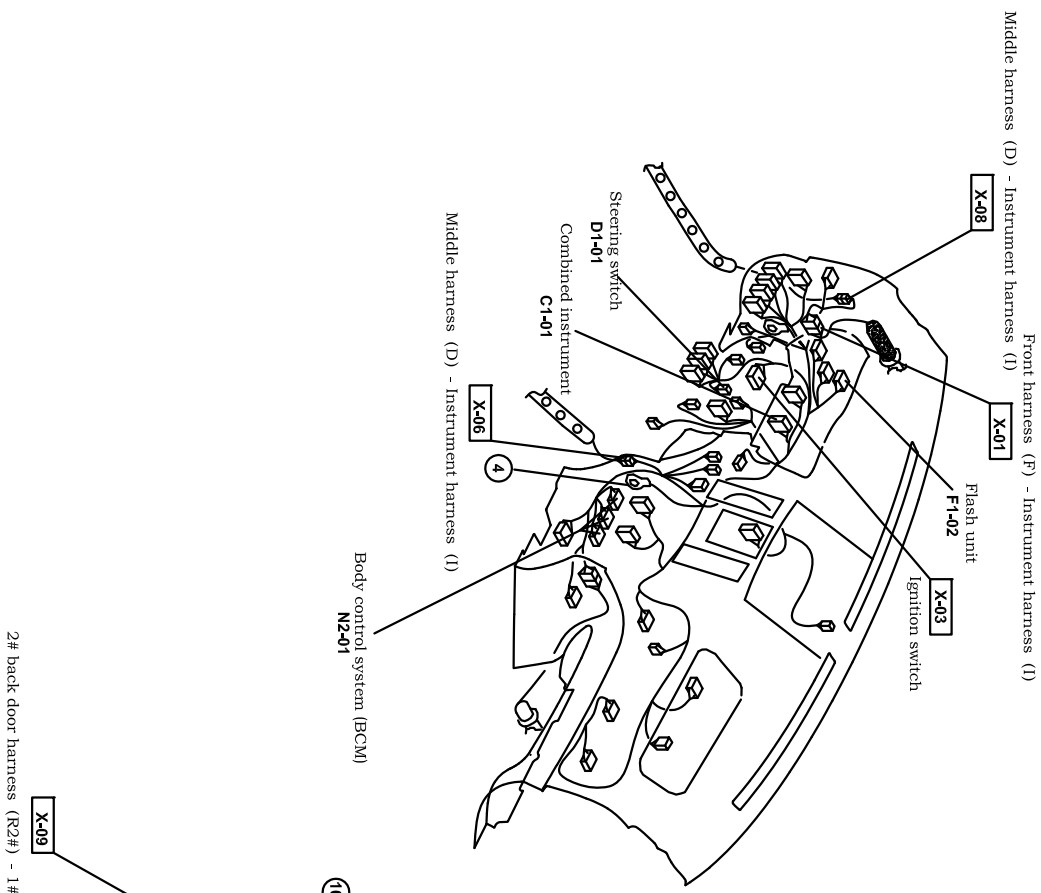


K2-05 FR door lock actuator (DR2)

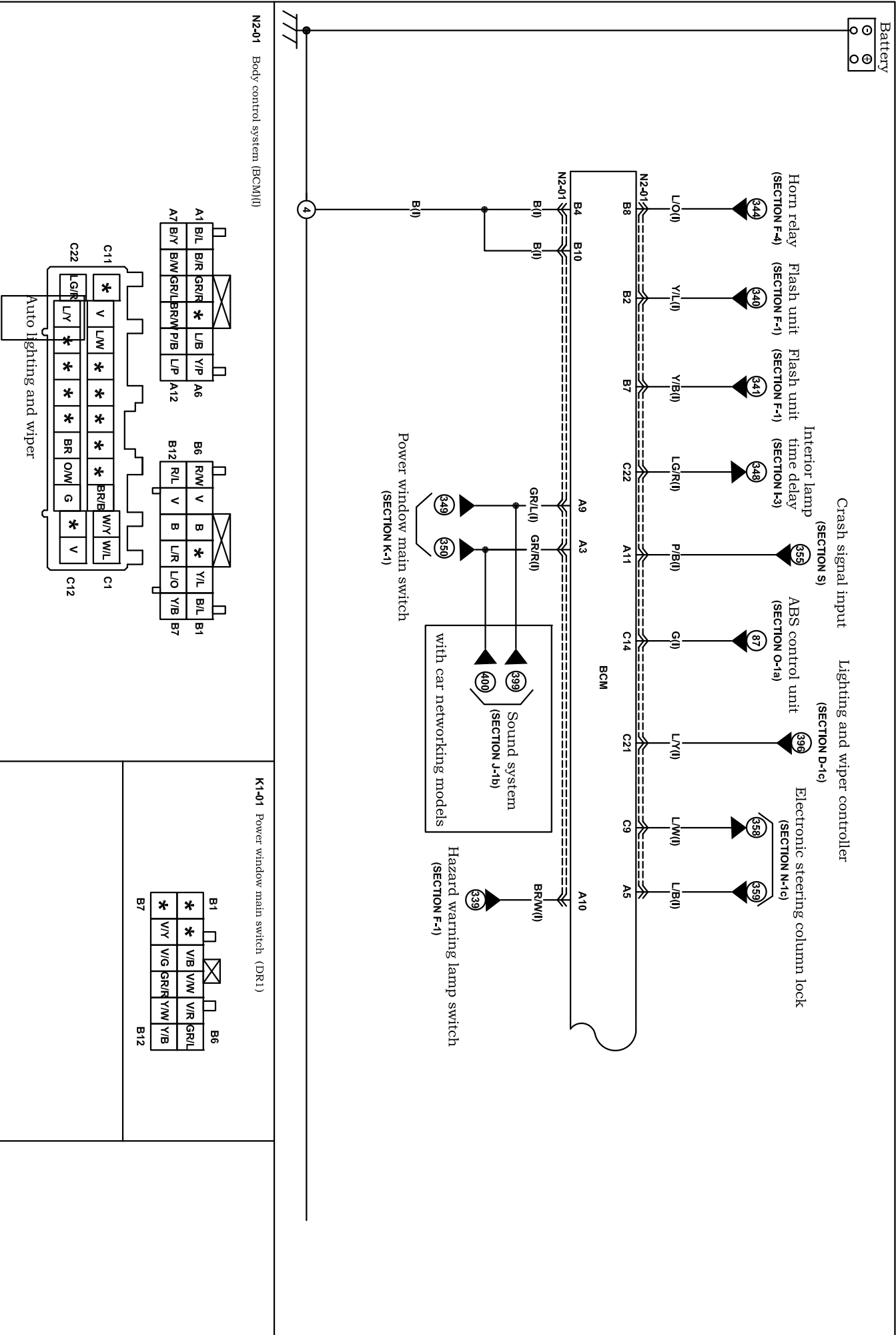


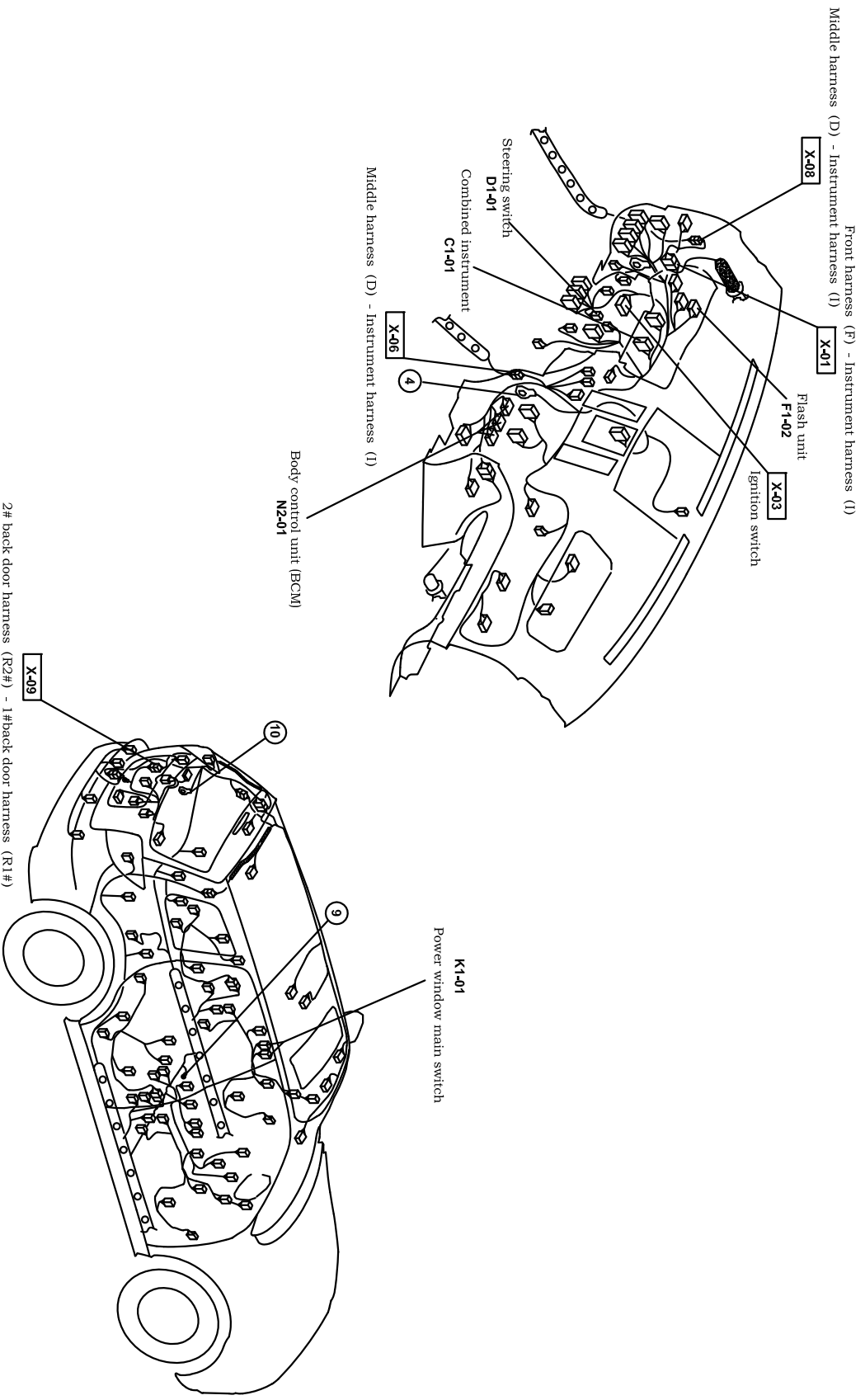
\$ with PEPS

Harness mark: (F) (E) (D) (R)

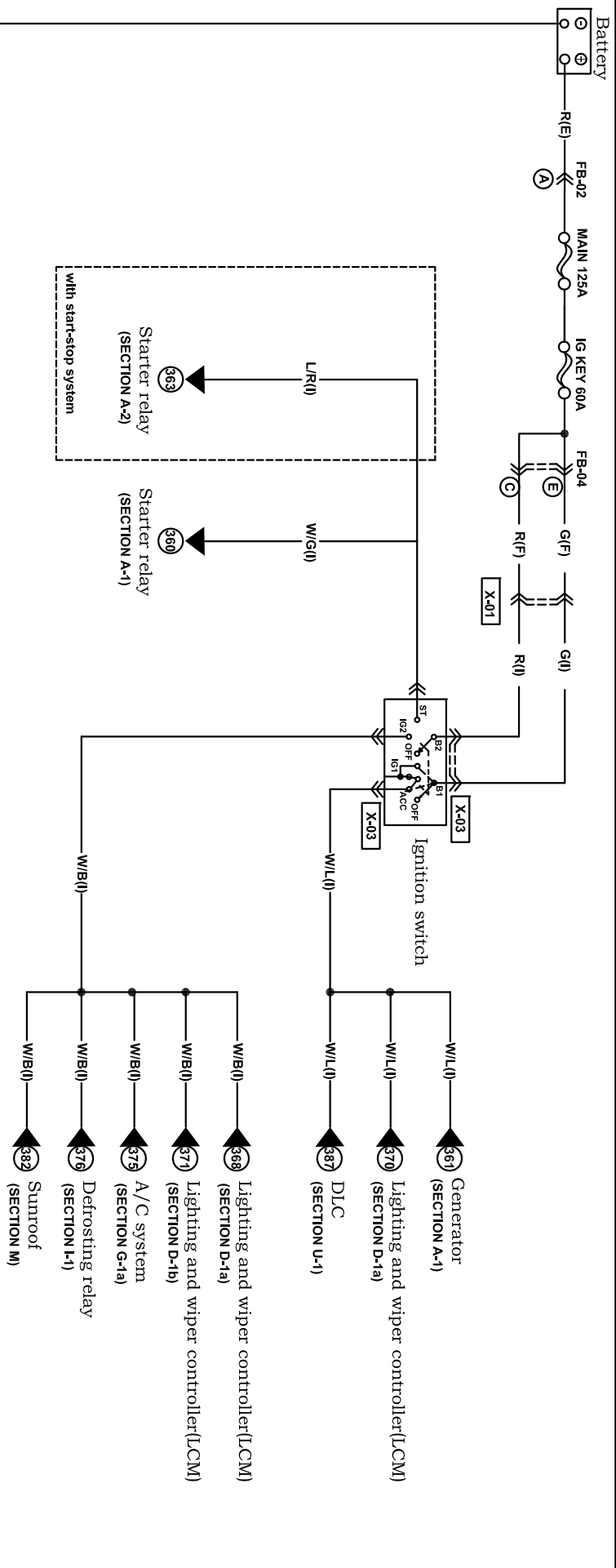


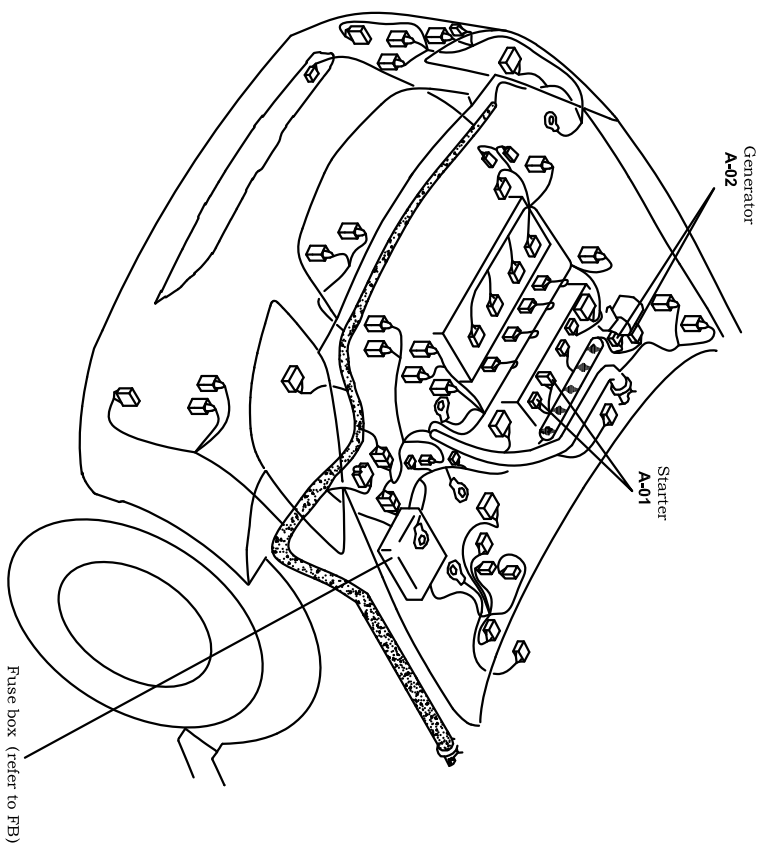
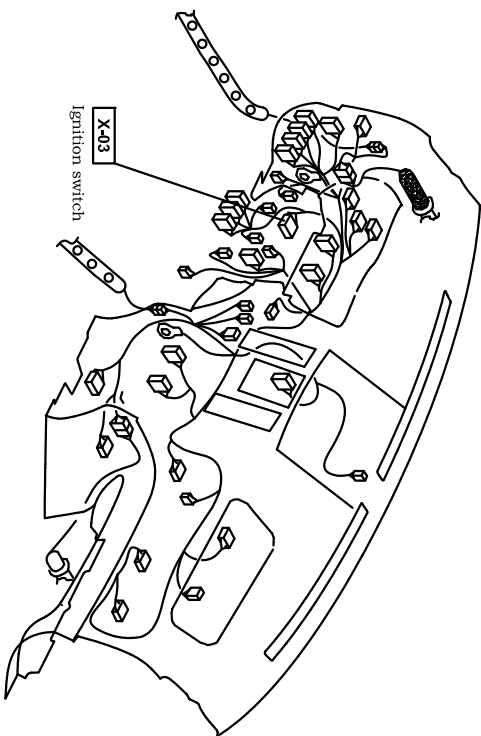
Body control system (BCM)

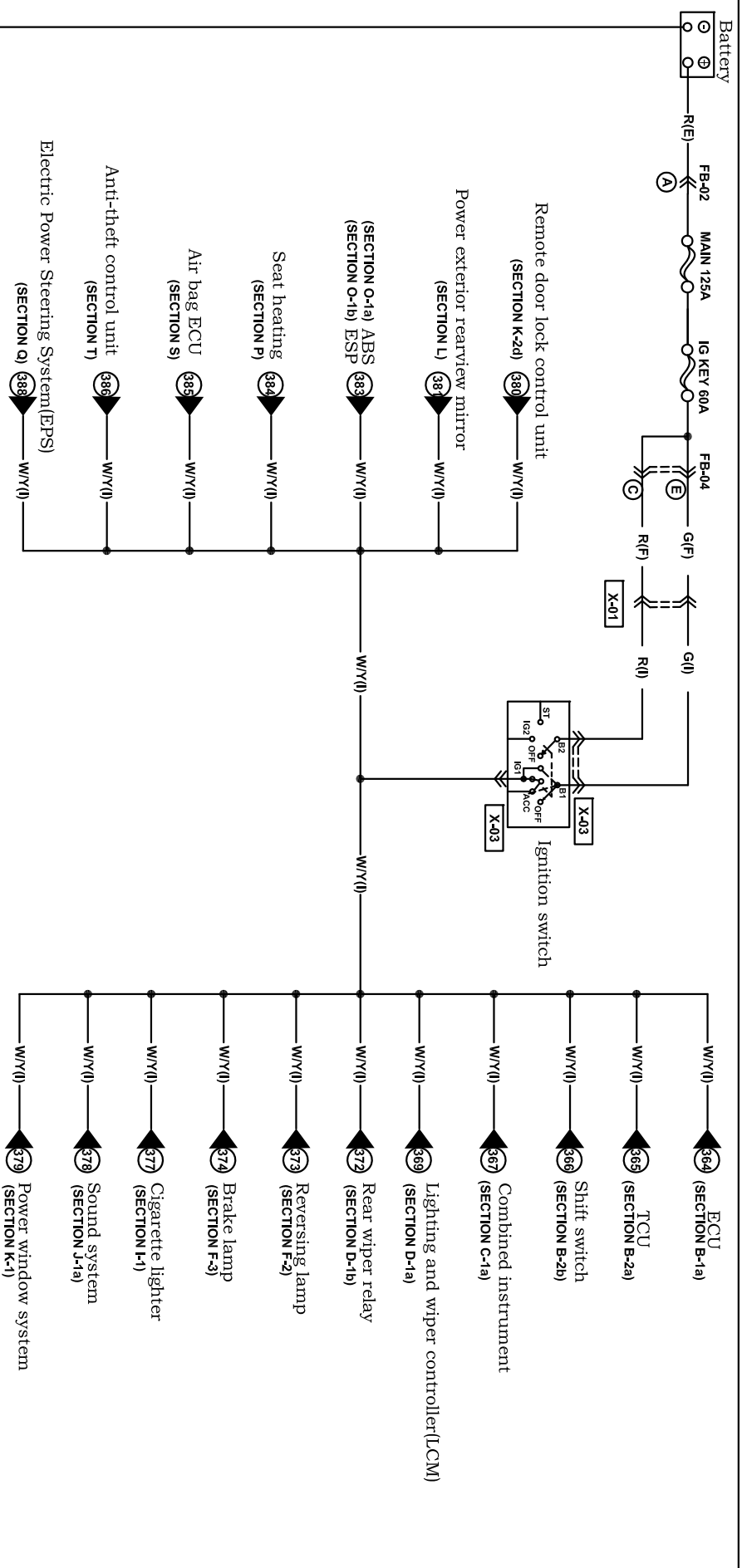


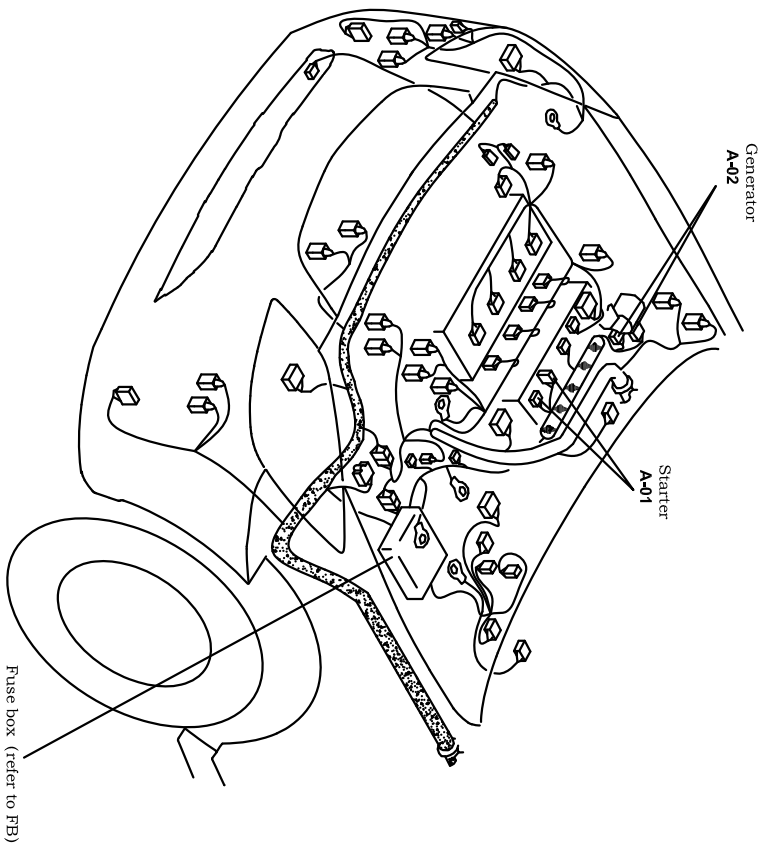
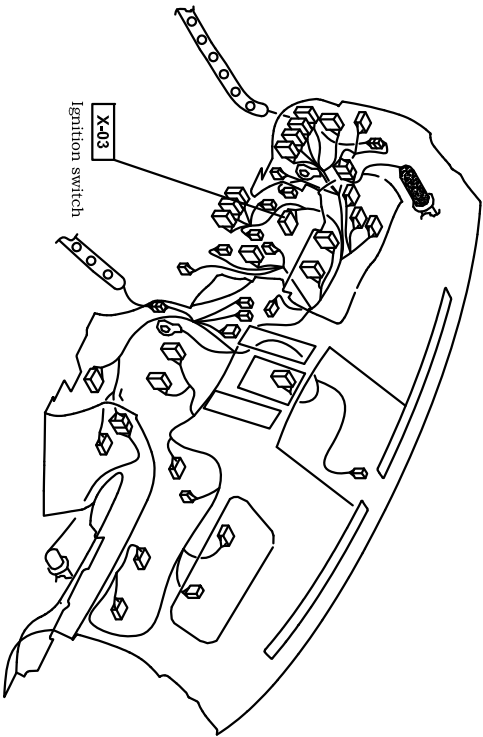


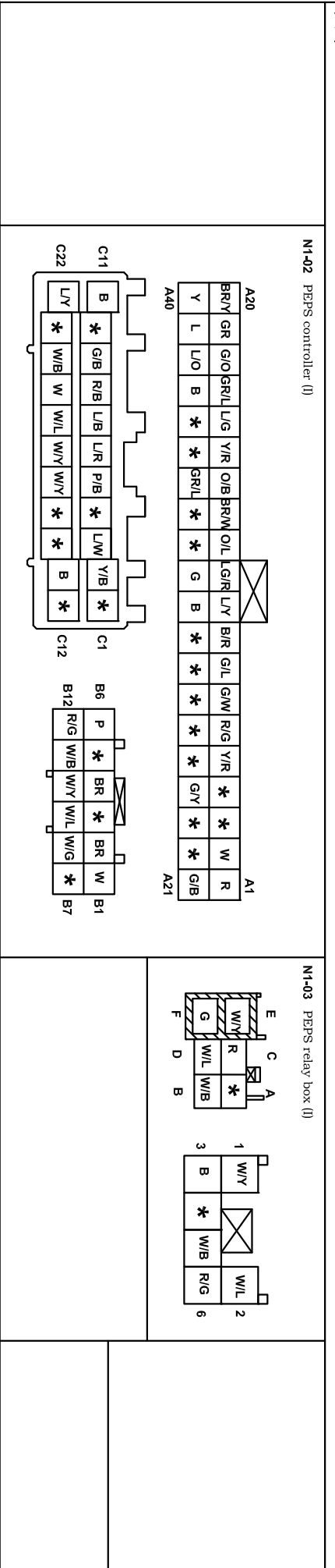
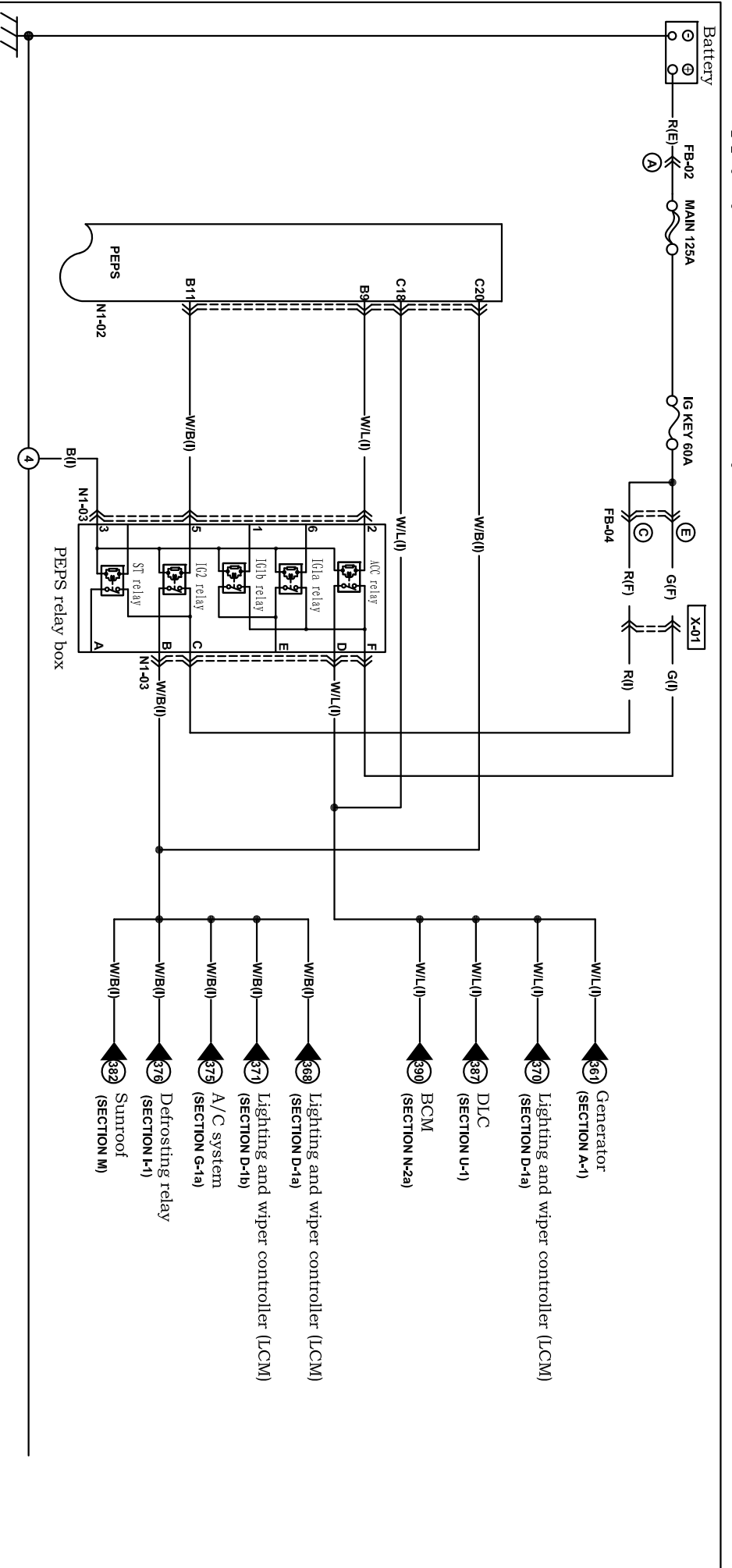


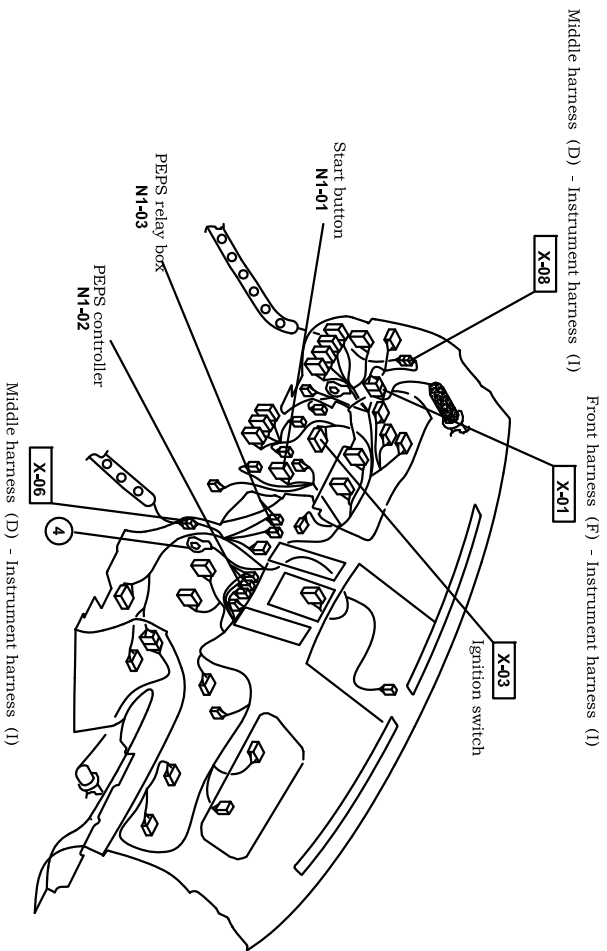


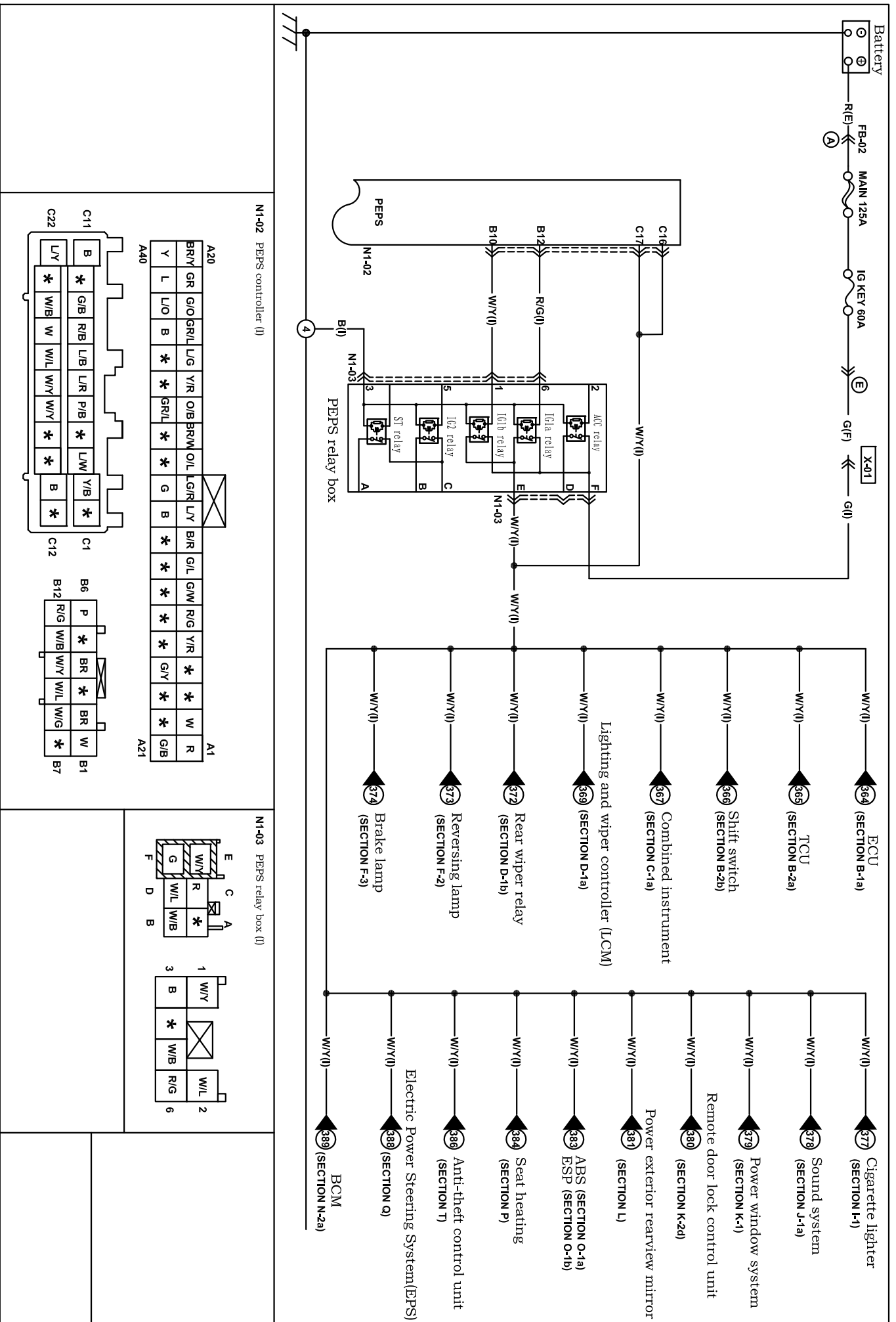




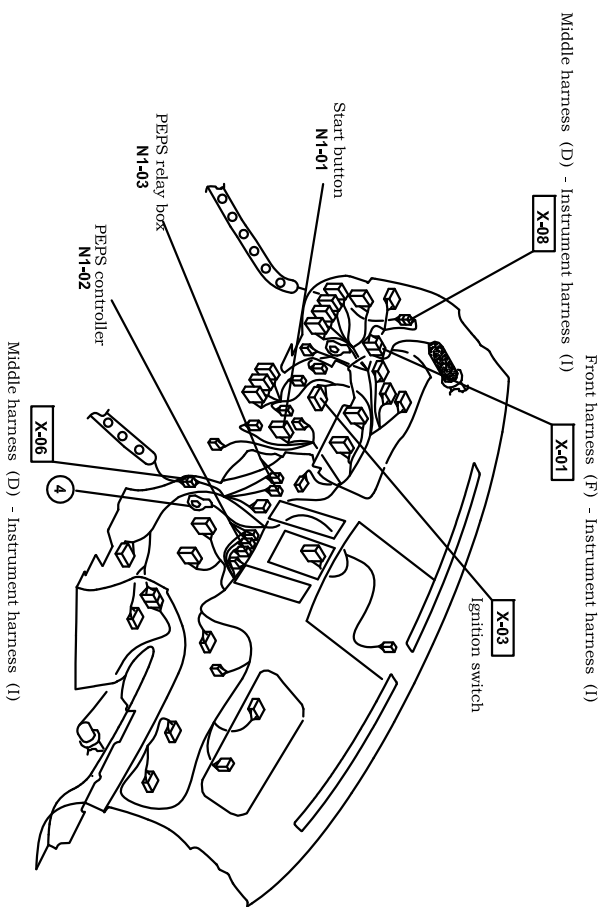




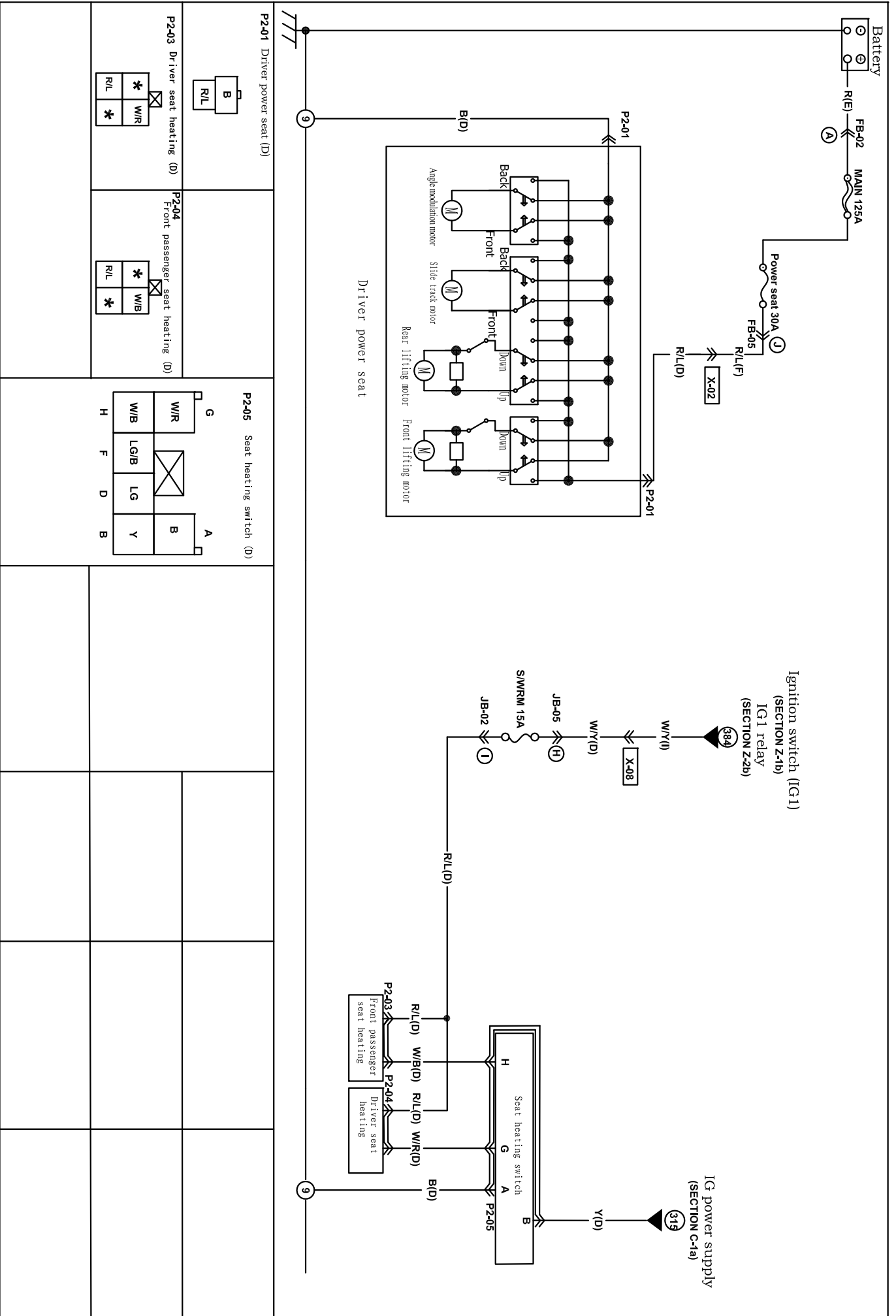




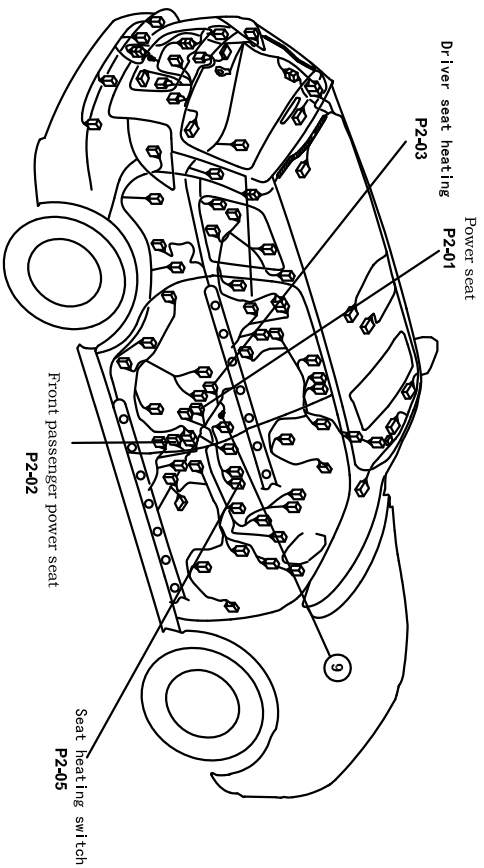
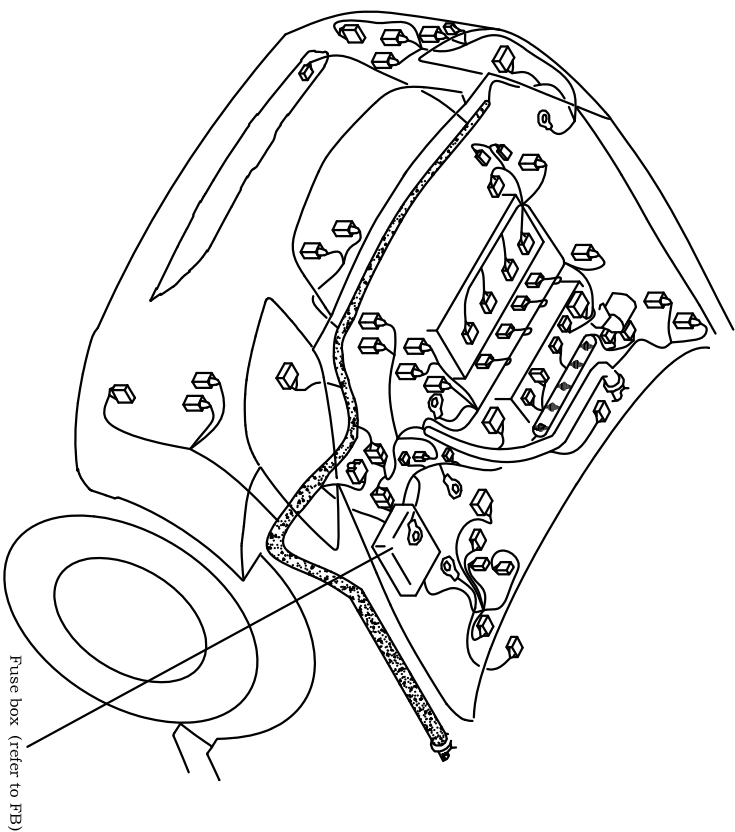
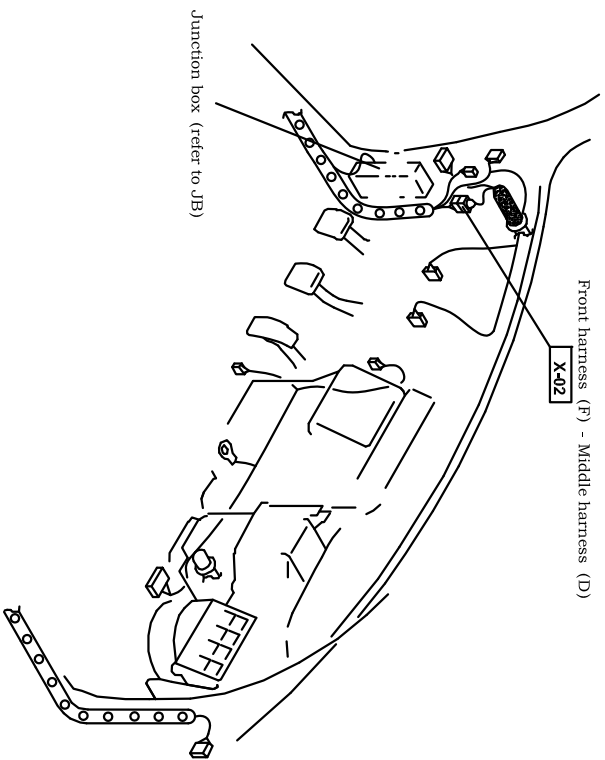
Harness mark:  (F)  (E)  (D)  (R)



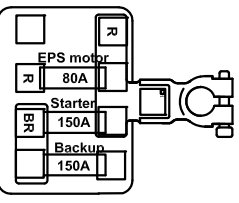
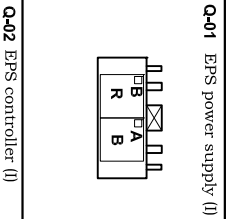
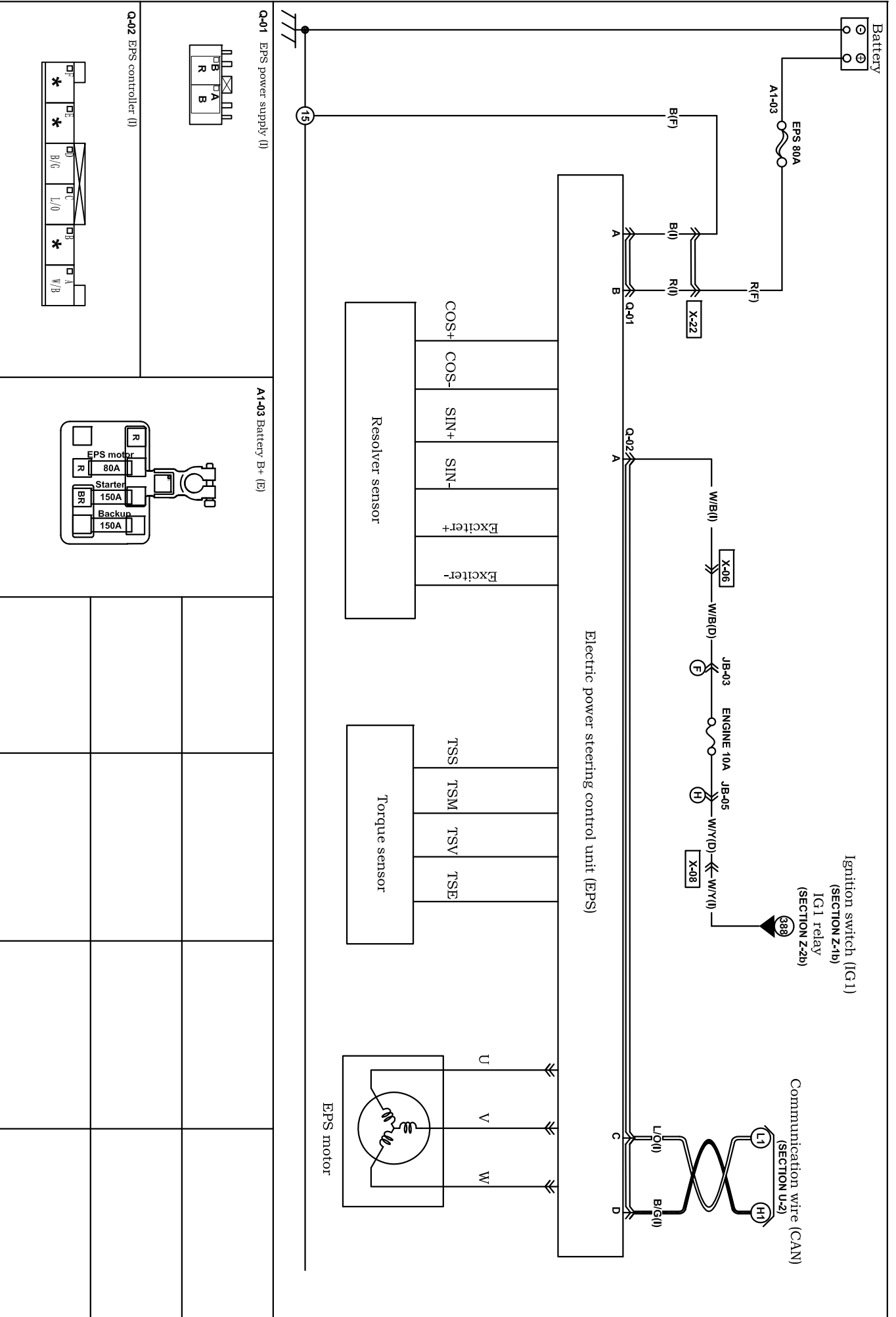




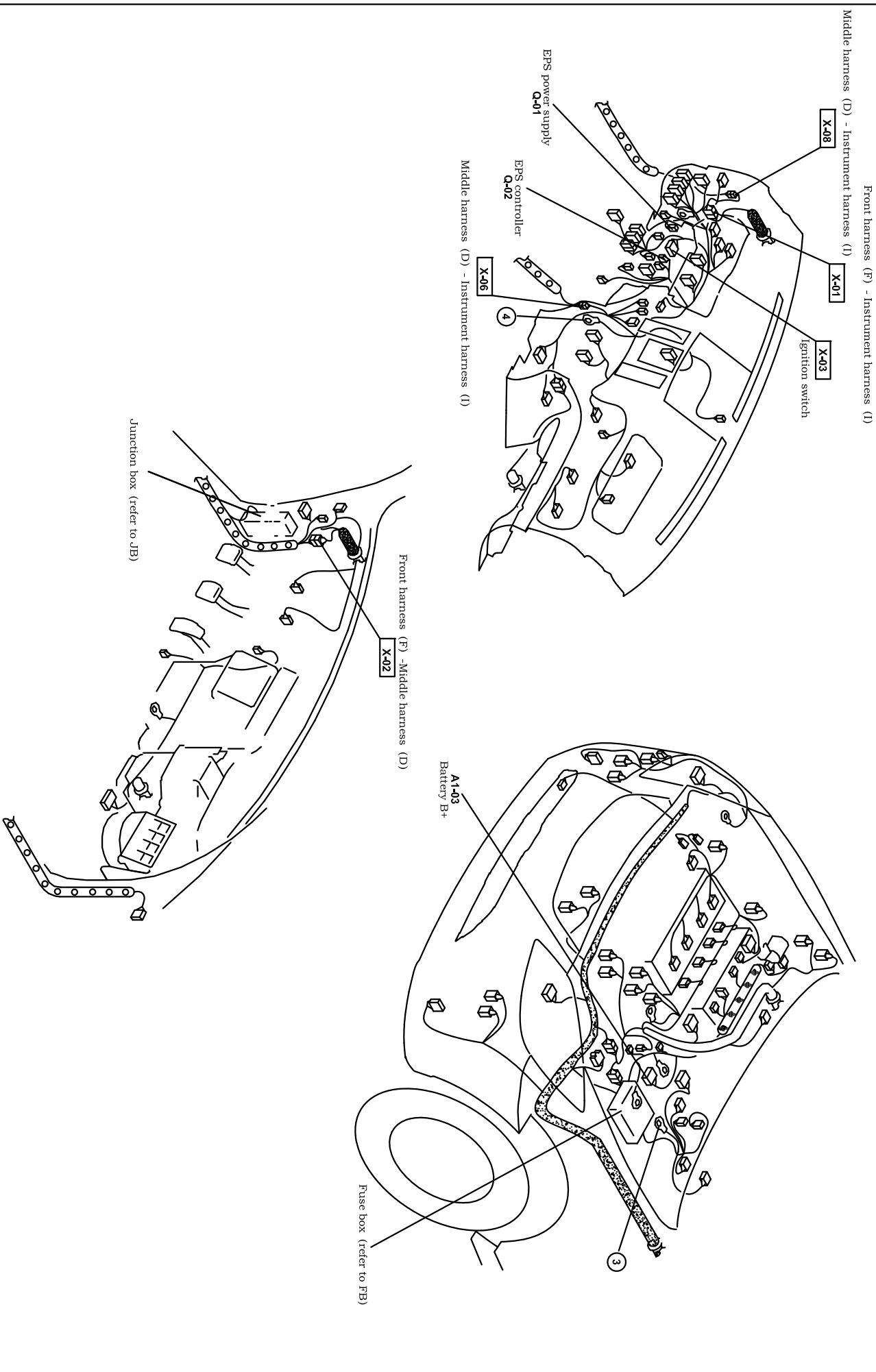
Harness mark: (F) (E) (D) (R)

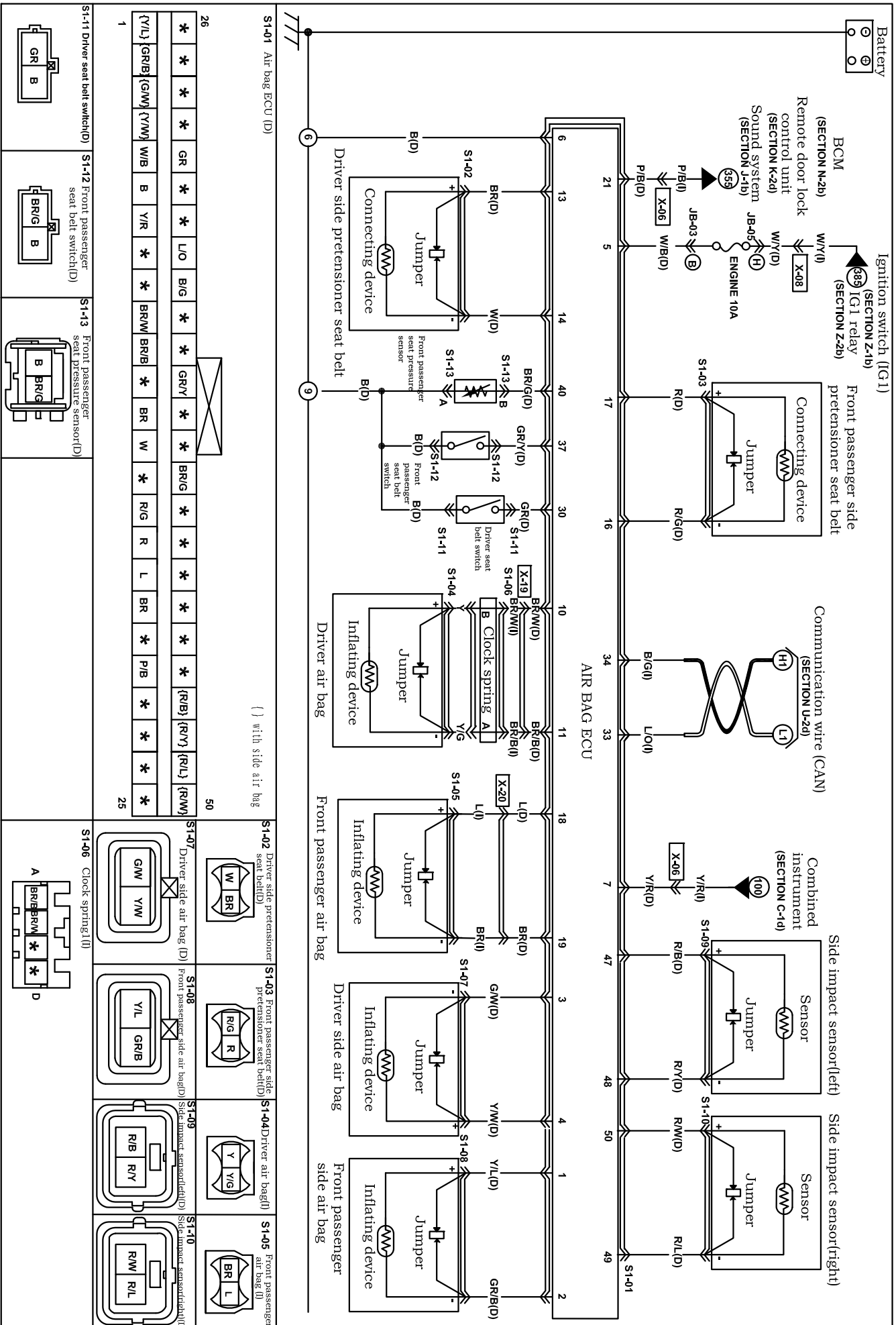


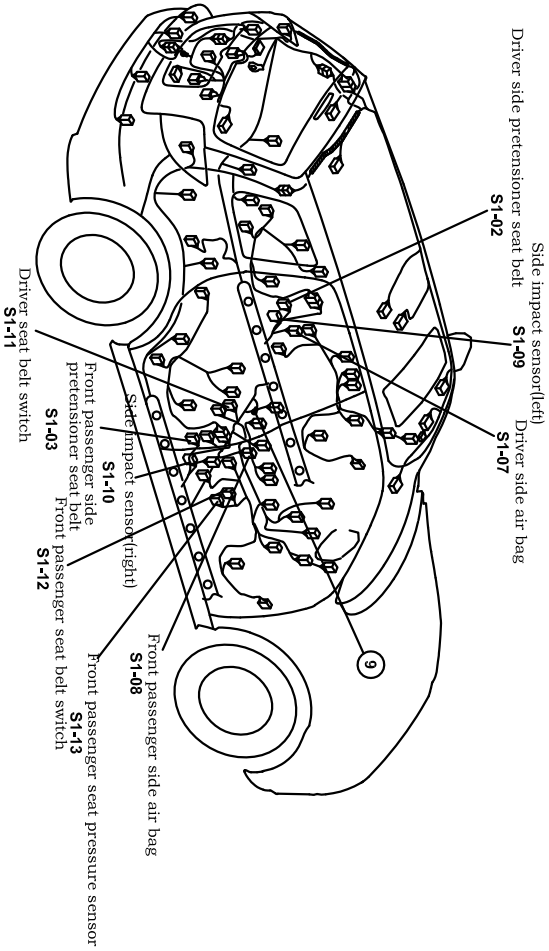
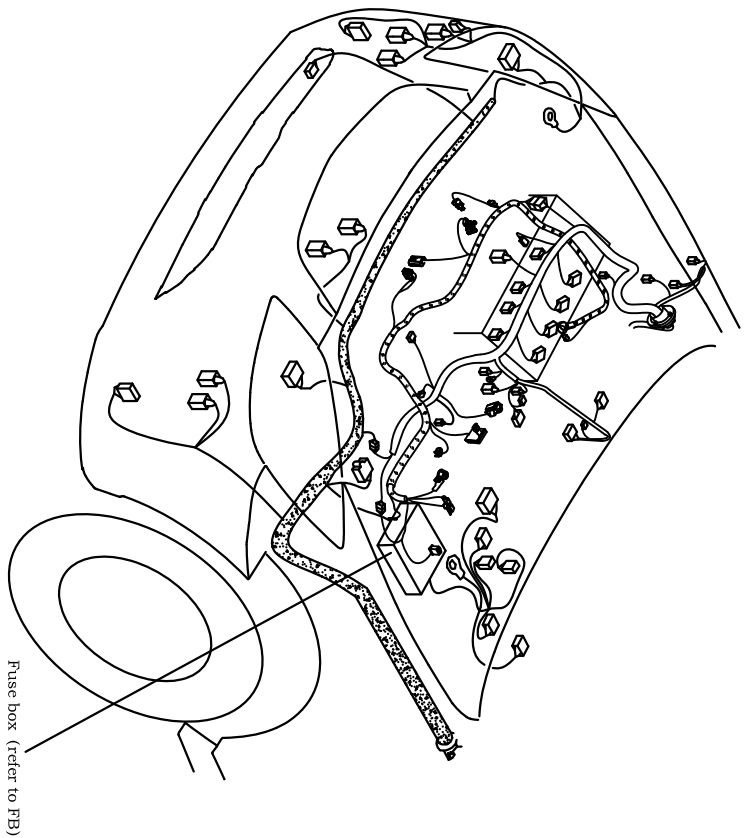
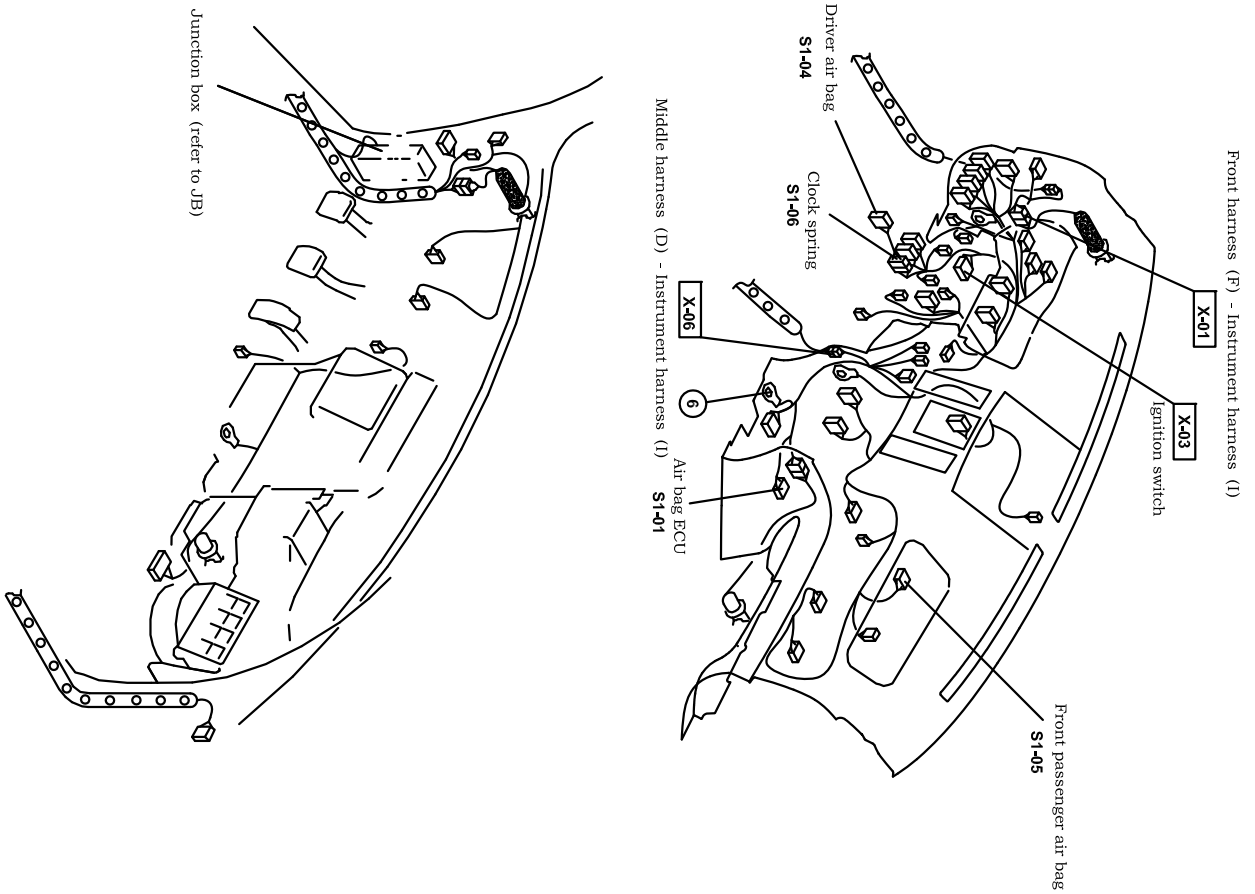
Electric Power Steering System (EPS-II)

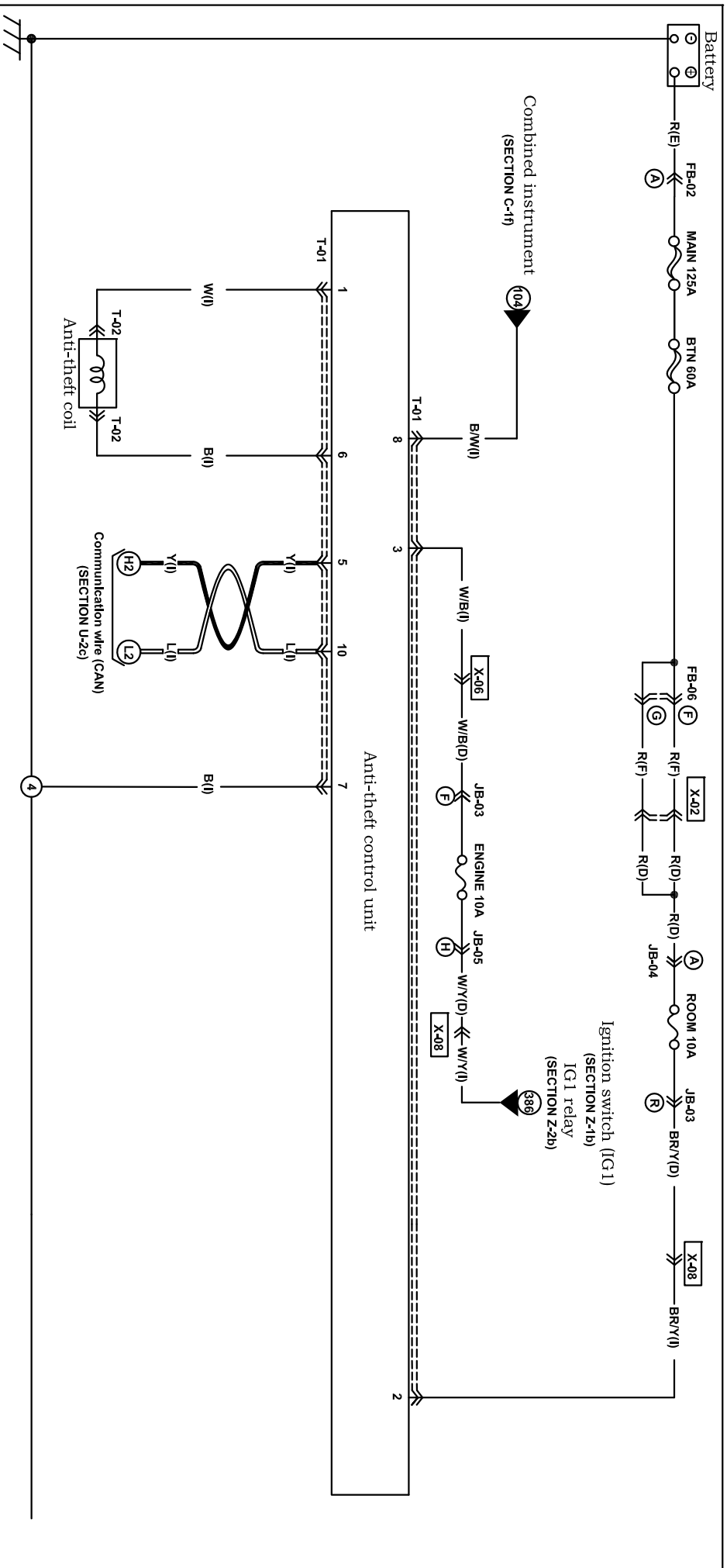


Harness mark: (F) (E) (D) (R)





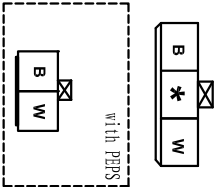




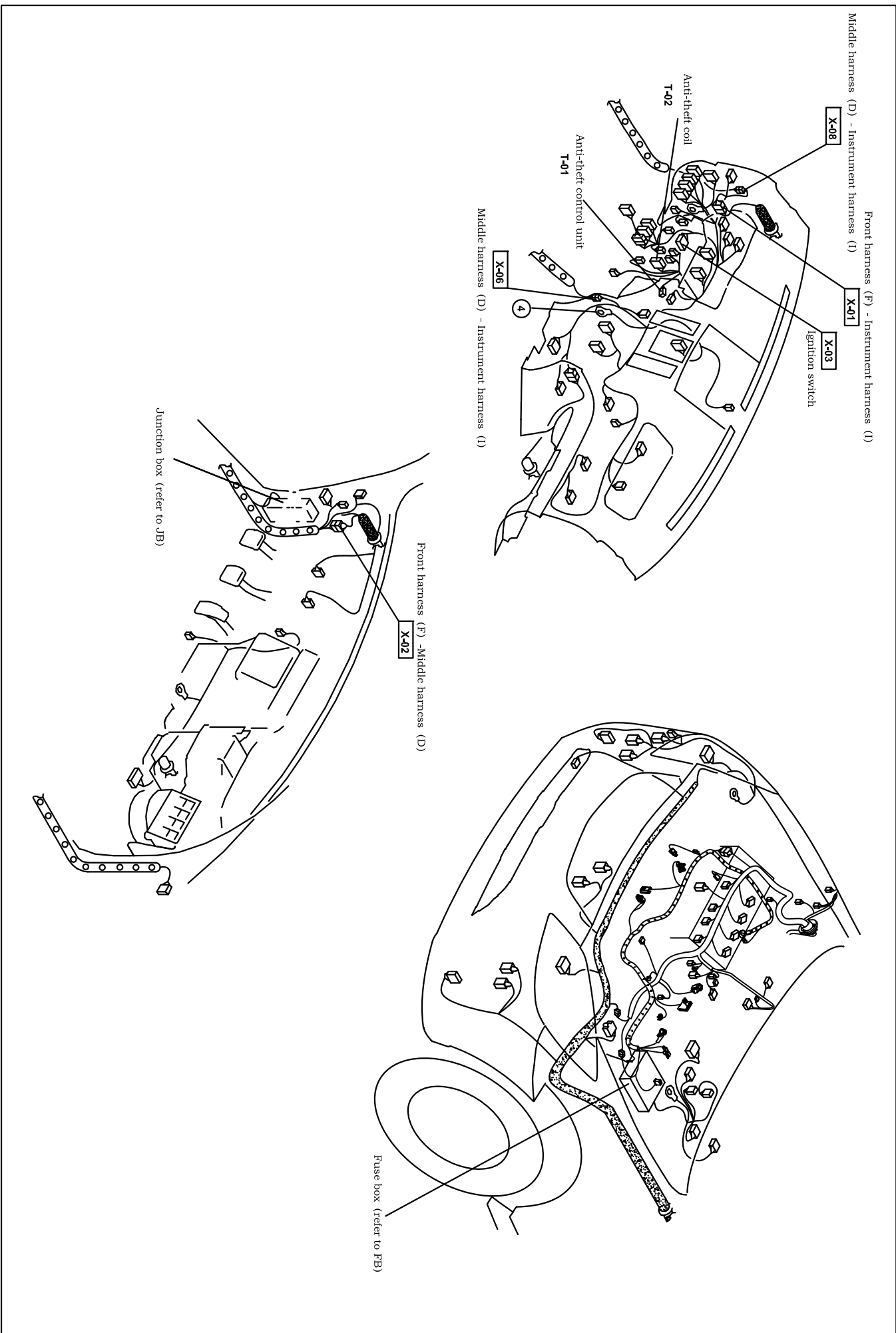
T-01 Anti-theft control unit (I)

T-02 Anti-theft coil (I)

10	9	8	7	6
L	*	B/W	B	B
5	4	3	2	1
Y	*	W/B	BR/Y	W



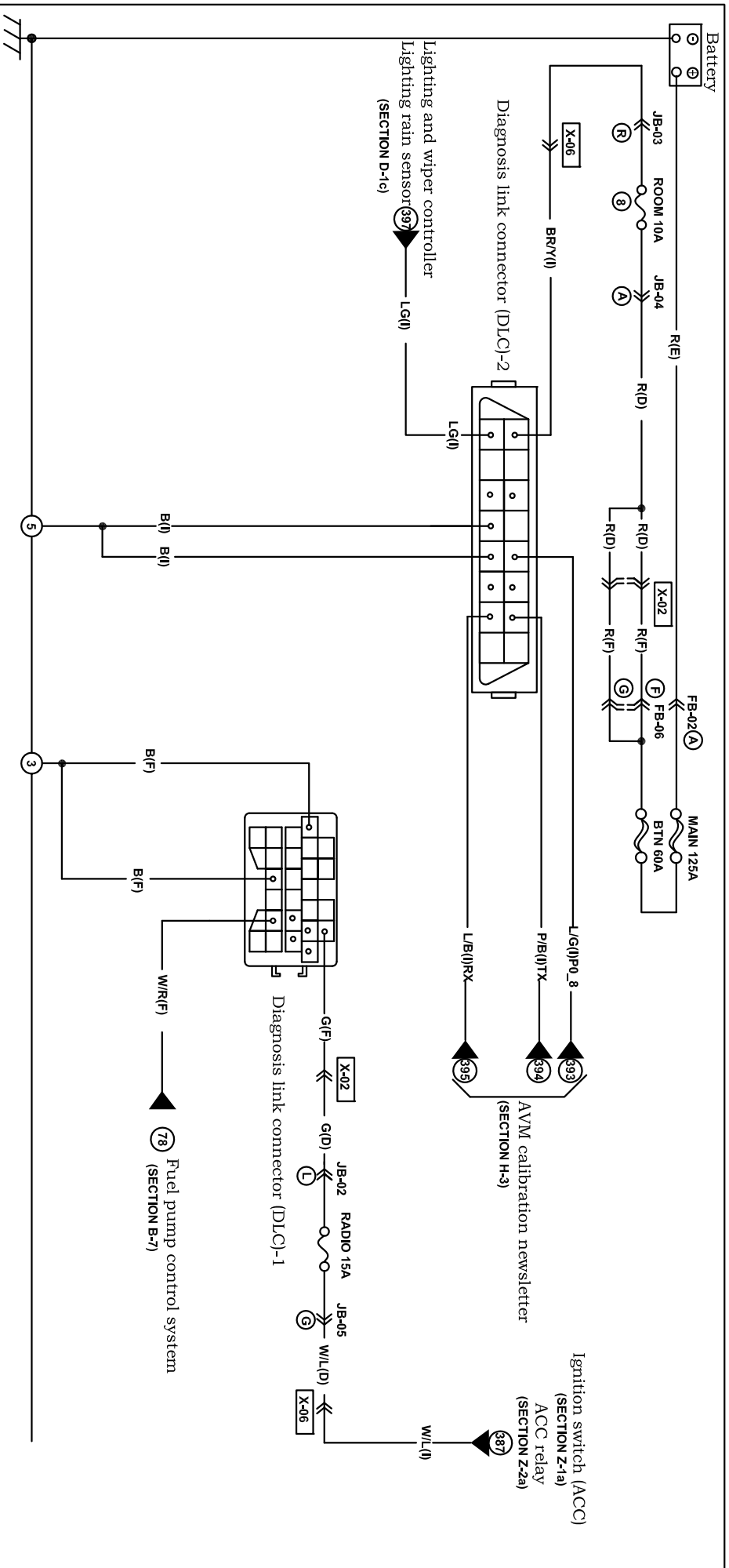
Harness mark: [ ] (F) [ ] (E) [ ] (D) [ ] (R)



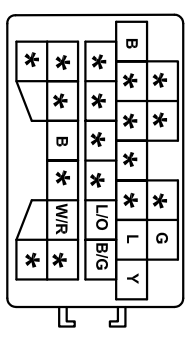


Diagnosis link connector (DLC)(1.8T)

U-1a

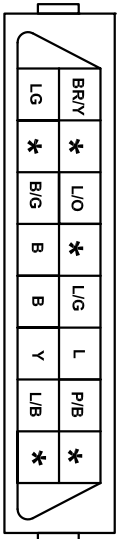


U-01 Diagnosis link connector (DLC)-1 (EM)



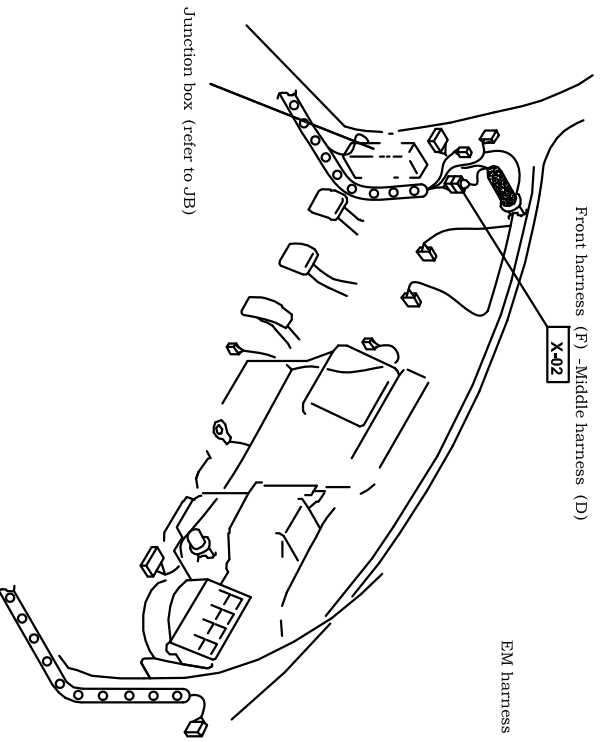
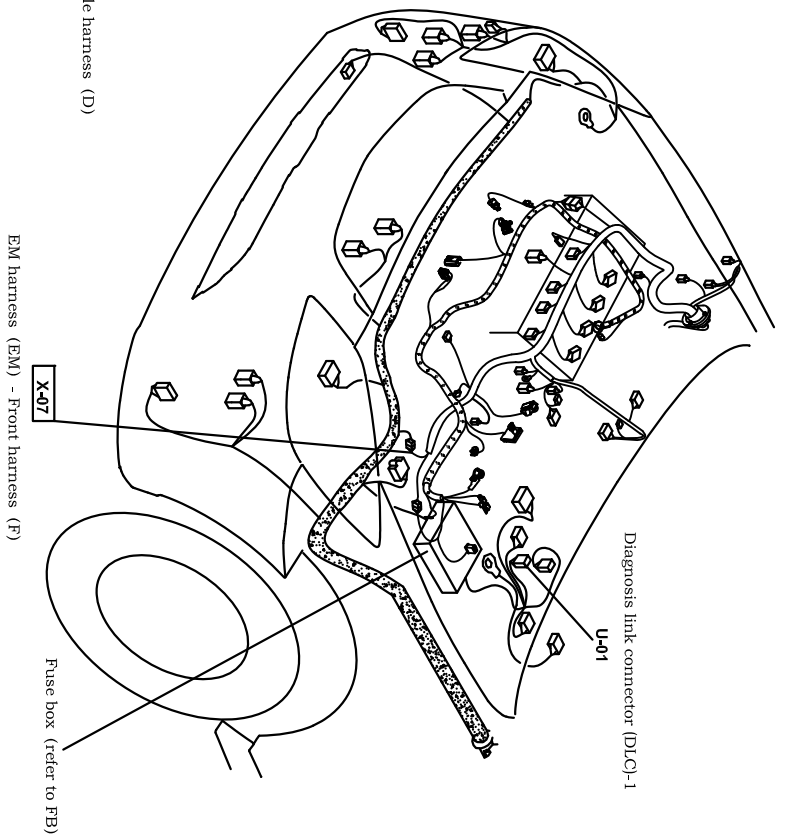
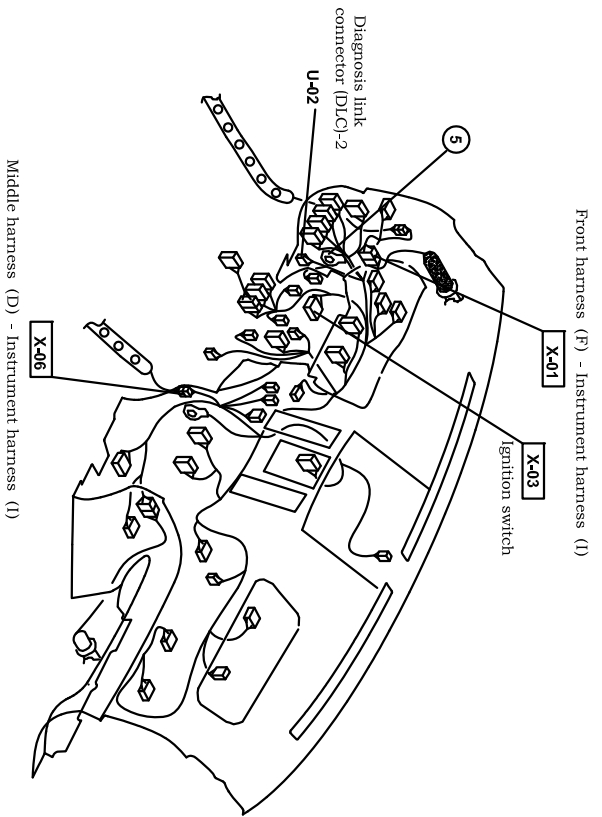
Note: view from the harness terminal

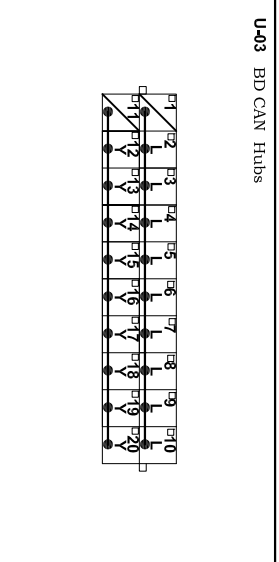
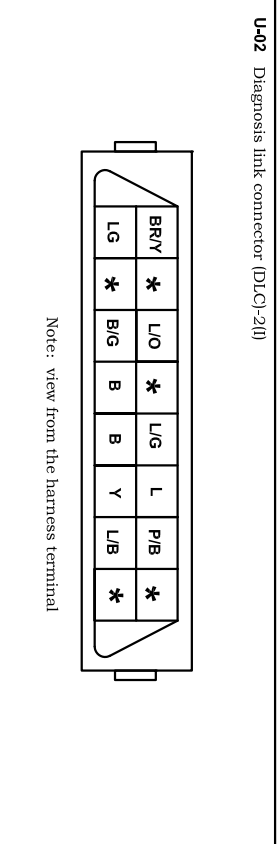
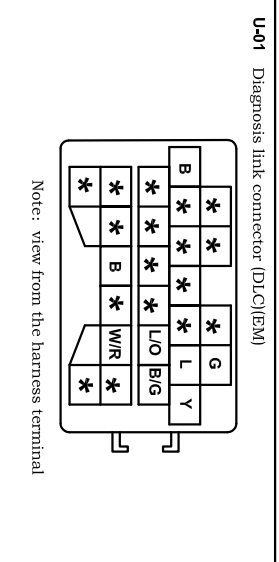
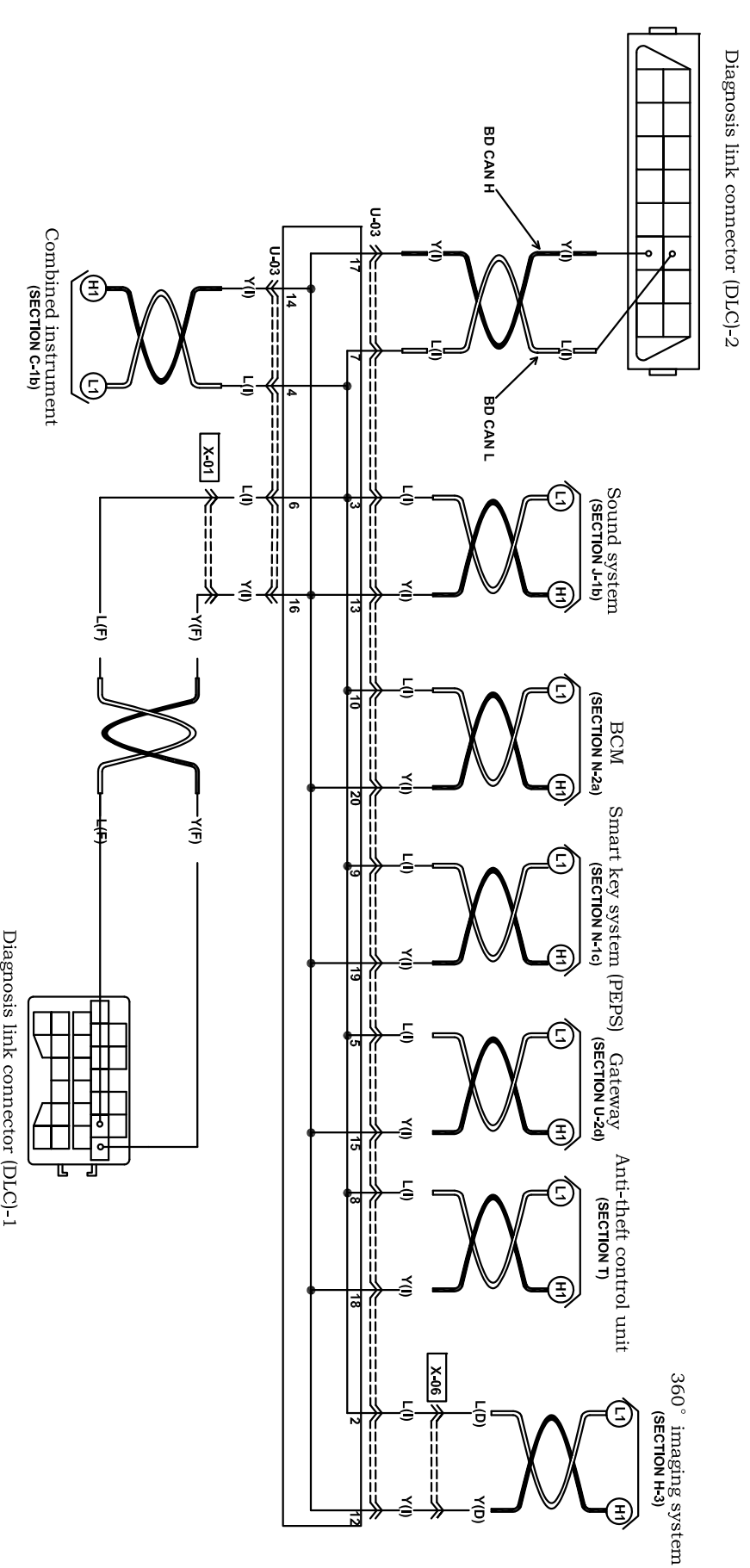
U-02 Diagnosis link connector (DLC)-2(I)



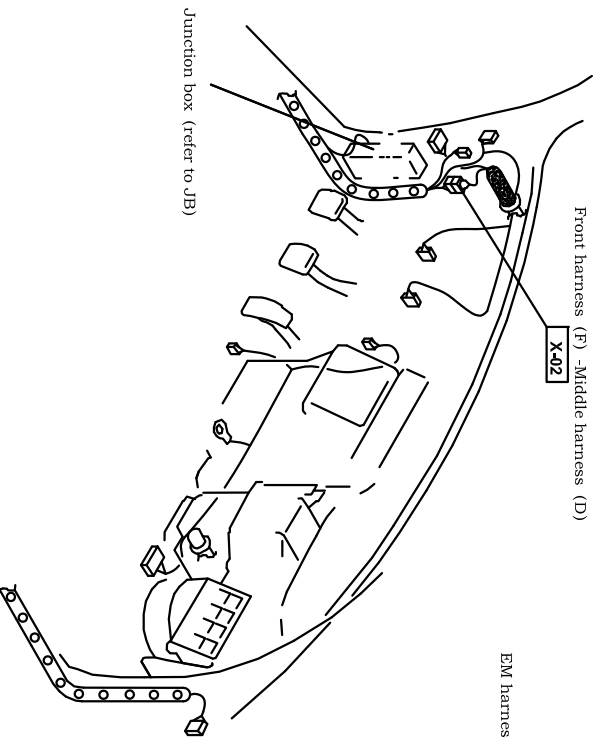
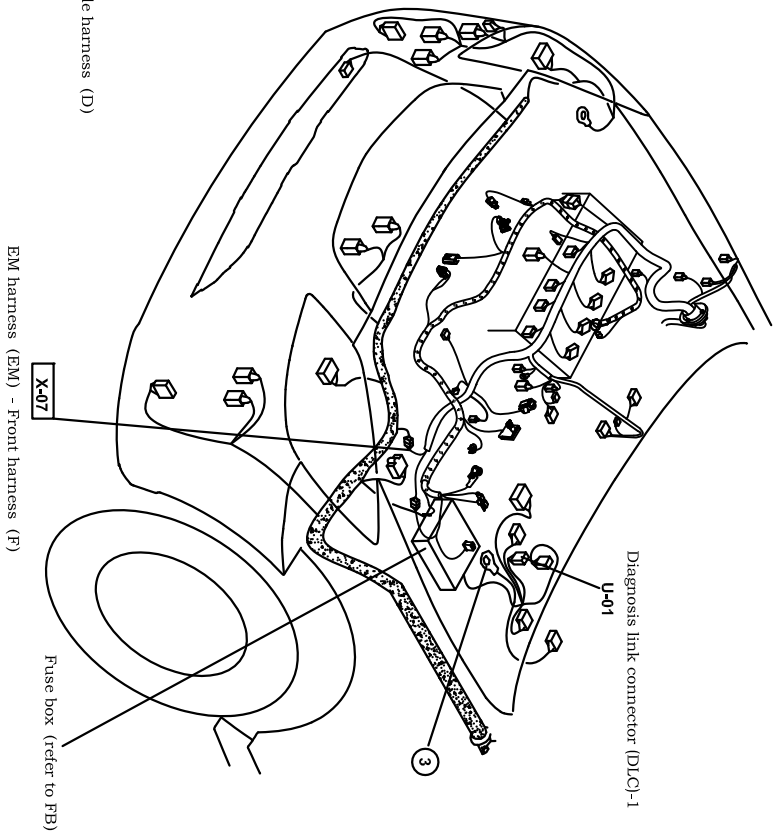
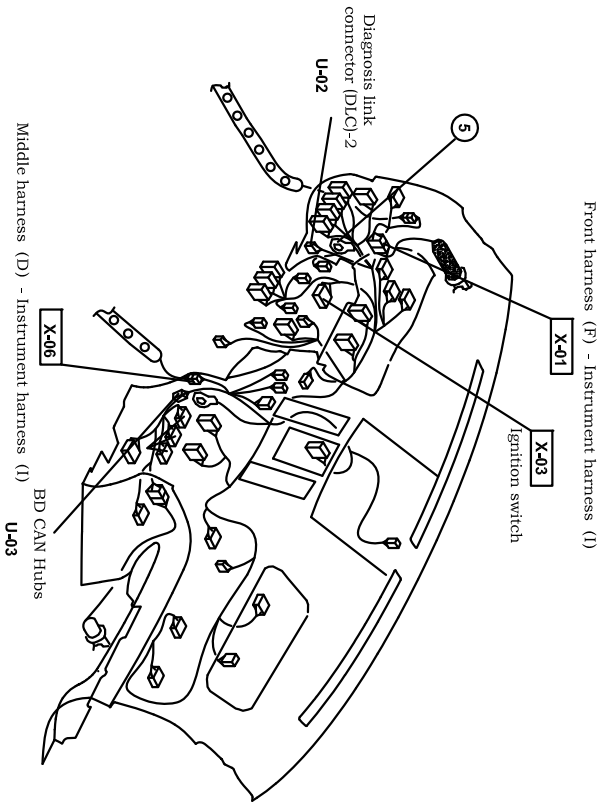
Note: view from the harness terminal

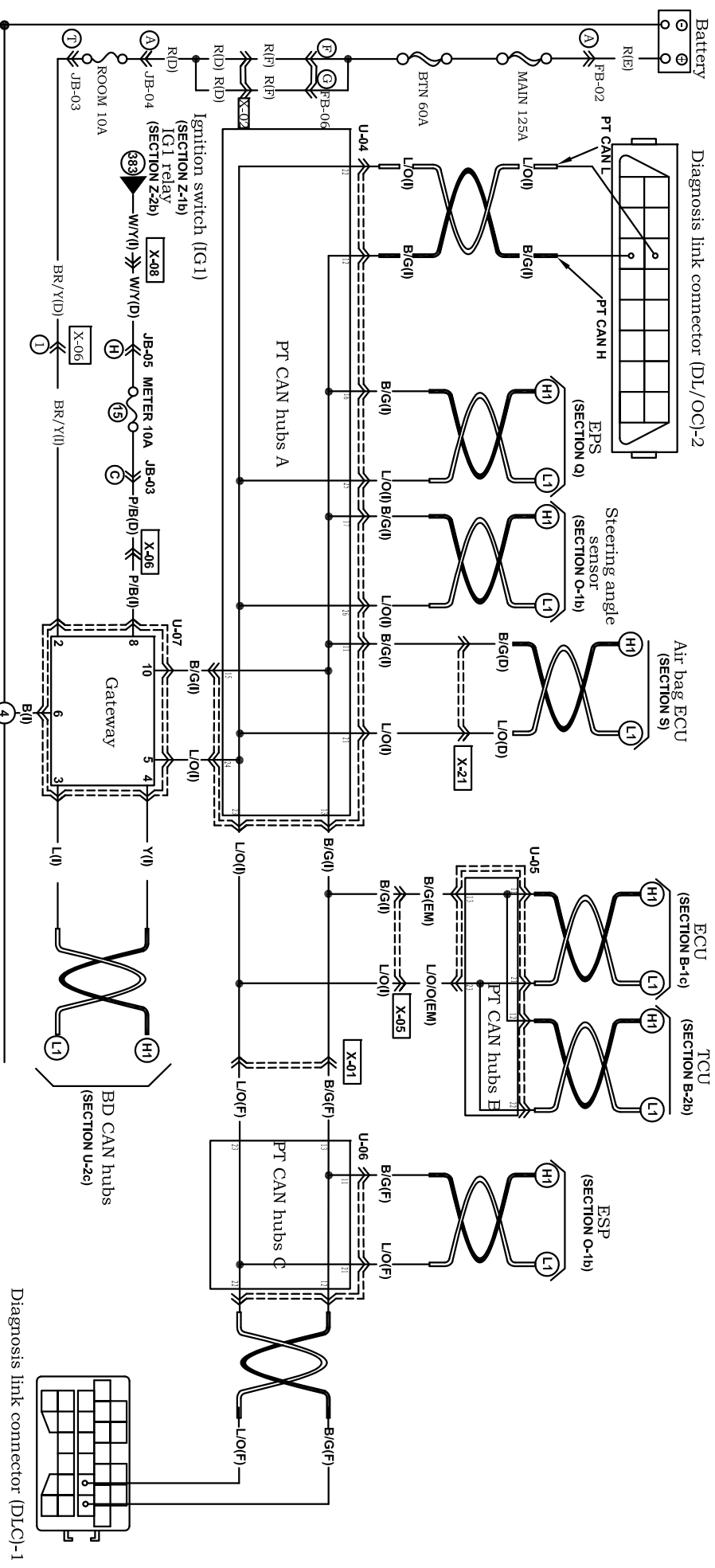
Harness mark:  (F)  (E)  (D)  (R)



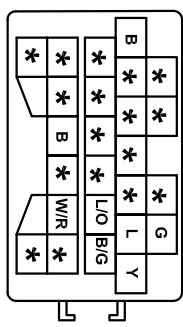


Harness mark:  (F)  (E)  (D)  (R)

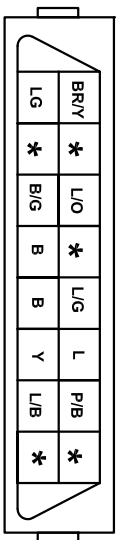




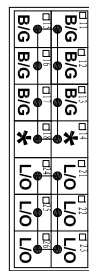
U-01 Diagnosis link connector (DL/OC)(EM)



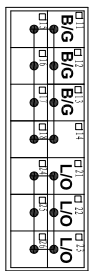
U-02 Diagnosis link connector(DL/OC)-2(II)



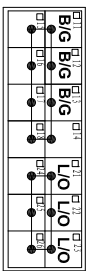
U-04 PT CAN hubs A



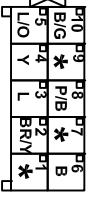
U-05 PT CAN hubs B



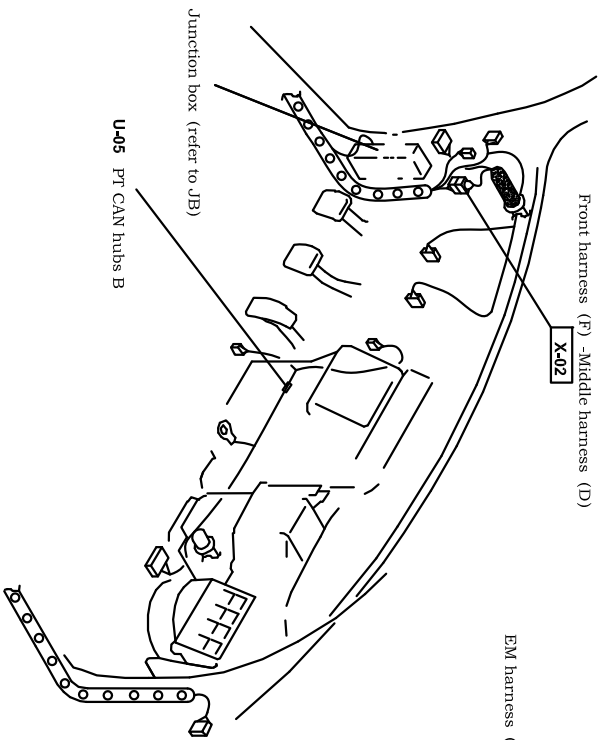
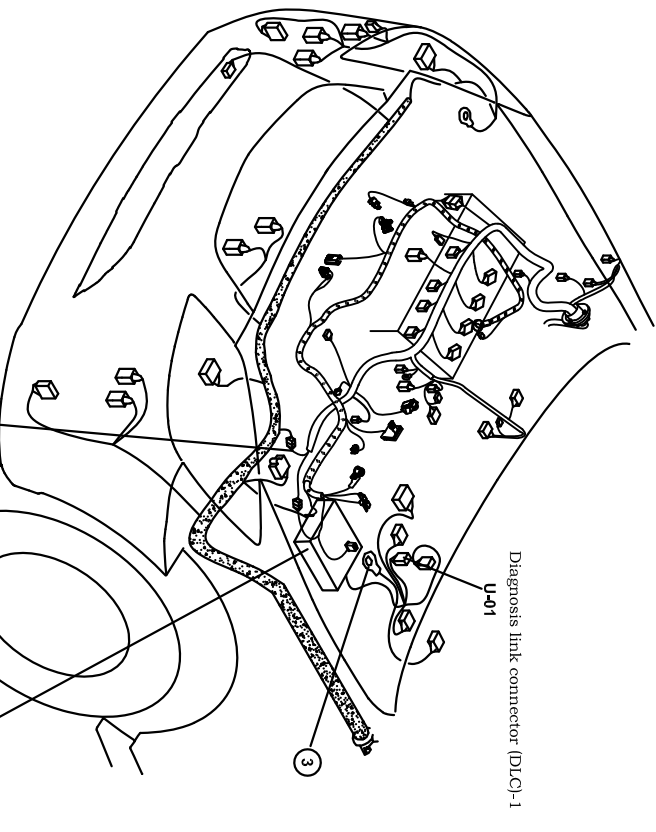
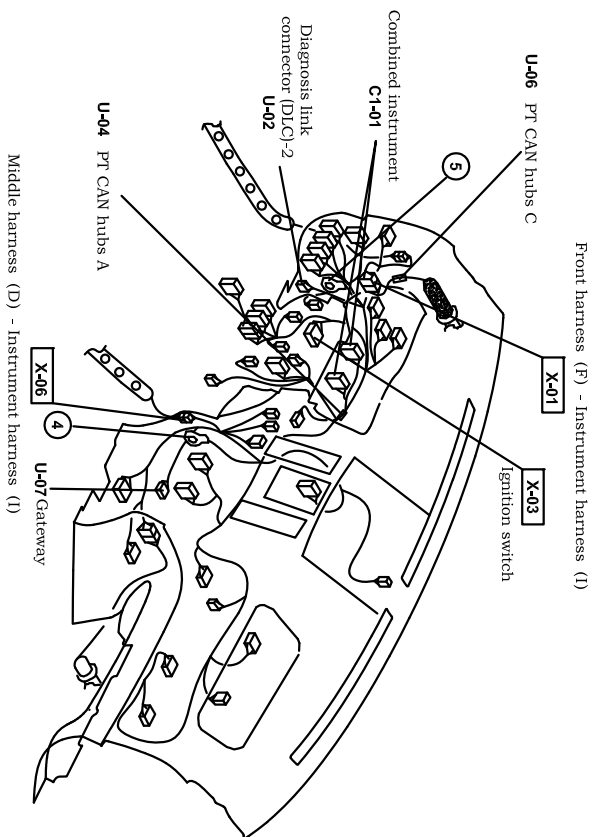
U-06 PT CAN hubs C

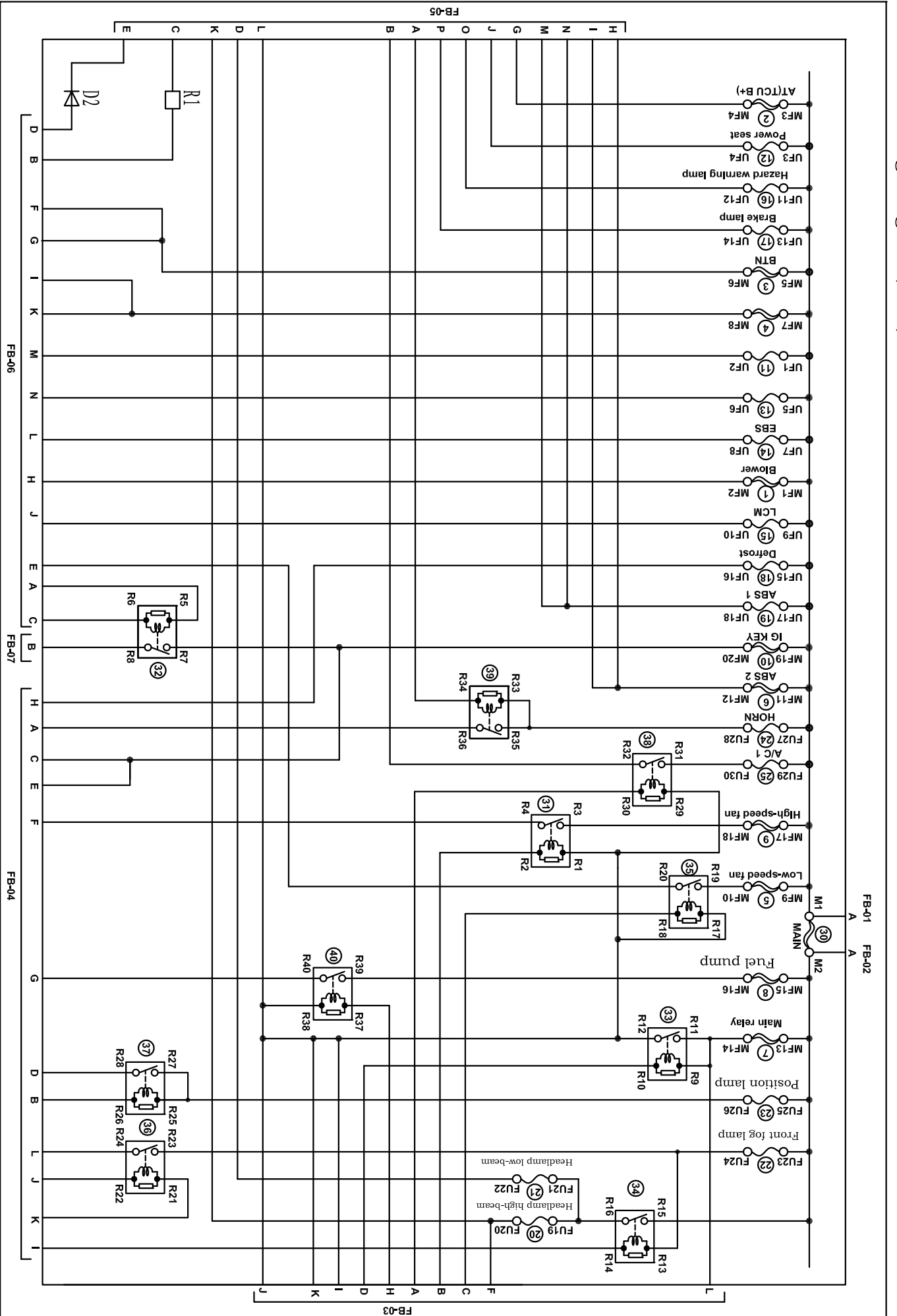


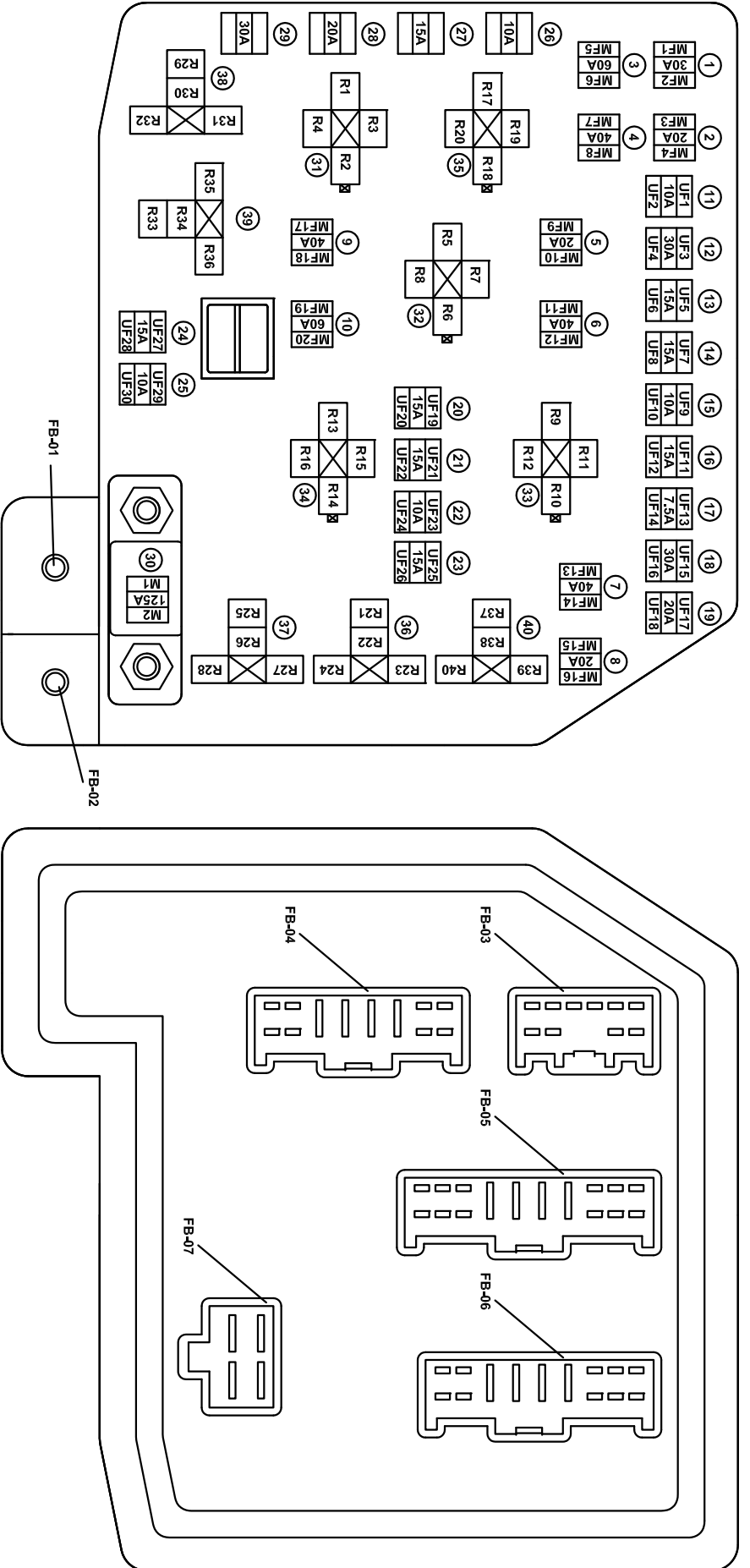
U-07 Gateway



Harness mark: (F) (E) (D) (R)



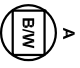
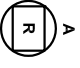
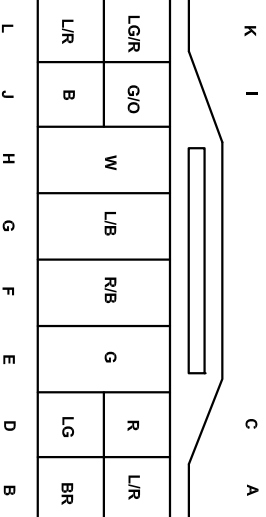
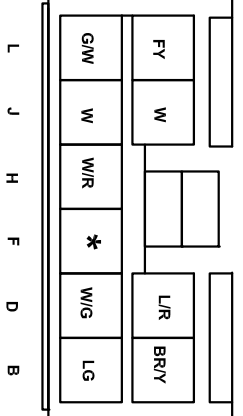
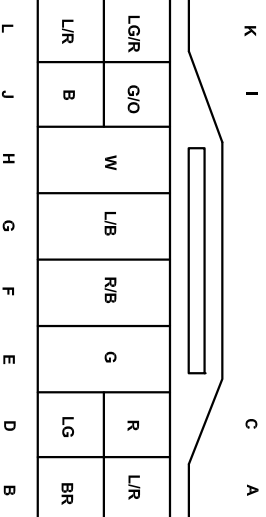
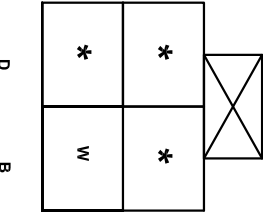
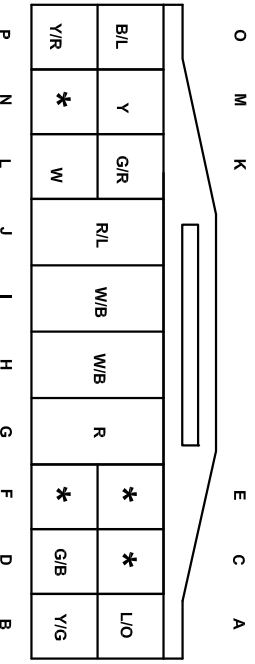
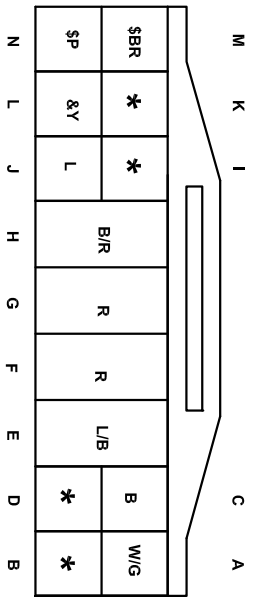




No.	Fuse name	No.	Fuse name	No.	Fuse name	No.	Relay name
1	Blower	11	PEPS 1	21	Headlamp low-beam	31	Fan
2	AT(TCU B+)	12	Power seat(main)	22	Front fog lamp	32	Start
3	BTN	13	PEPS 2	23	Position lamp	33	Main relay
4	*	14	EBS	24	HORN	34	Headlamp
5	Vacuum pump	15	LCM	25	AC 1	35	Vacuum pump
6	ABS 2	16	Hazard warning lamp	26	*	36	Front fog lamp
7	Main relay	17	Brake lamp	27	*	37	Position lamp
8	Fuel pump	18	Defrost	28	*	38	Compressor
9	Fan	19	ABS 1	29	*	39	Horn
10	IG KEY	20	Headlamp high-beam	30	Main fuse	40	Fuel pump



Fuse box (1.8T)

<p><b>FB-01</b> Engine harness (E)</p> 	<p><b>FB-02</b> Engine harness (E)</p> 	<p><b>FB-04</b> Front harness (F)</p> 
<p><b>FB-03</b> EM harness (EM)</p> 	<p><b>FB-04</b> Front harness (F)</p> 	<p><b>FB-07</b> Engine harness (E)</p> 
<p><b>FB-05</b> Front harness (F)</p> 	<p><b>FB-06</b> Front harness (F)</p> 	

\$ with PEPS  
& with start-stop

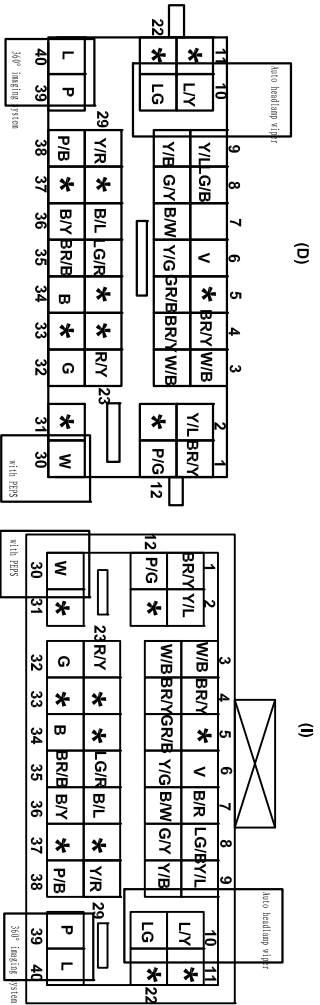
Common connector list (1.8T)

X-1

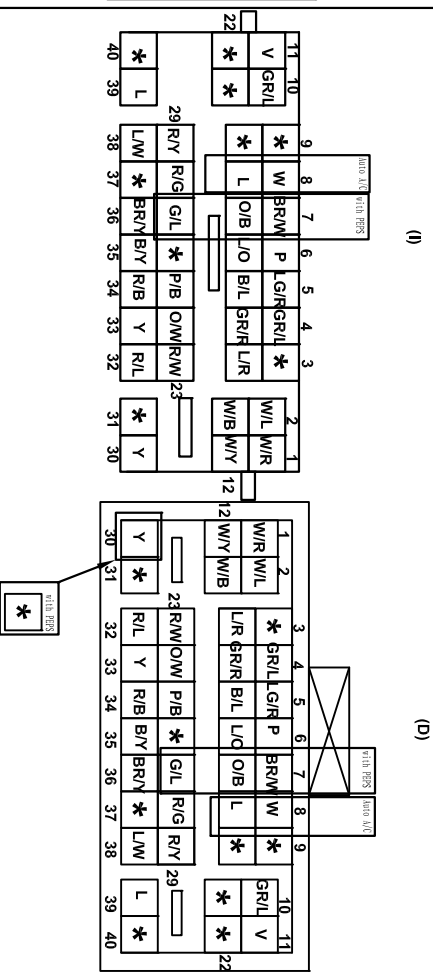
<p>X-01 Front harness (F) - Instrument harness (I)</p> <p>(F)</p>	<p>X-02 Front harness (F) -Middle harness (D)</p> <p>(D)</p>
<p>X-03 Ignition switch (I) &amp; with start-stop</p> <p>(I)</p> <p>X-04 Engine harness (E) - EM harness (EM) &amp; with start-stop</p> <p>(EM)</p>	<p>X-05 EM harness (EM) - Instrument harness (I)</p> <p>(EM)</p>

# Common connector list (1.8T)

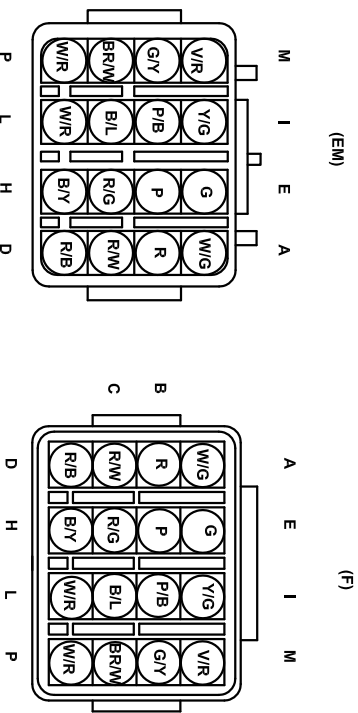
X-06 Middle harness (D) - Instrument harness (I)



X-08 Middle harness (D) - Instrument harness (I)

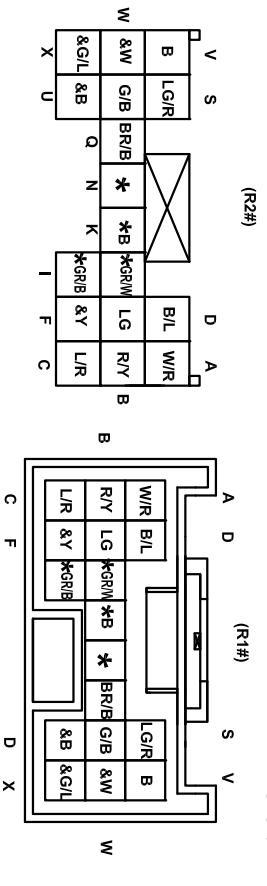


X-07 EM harness (EM) - Front harness (F)

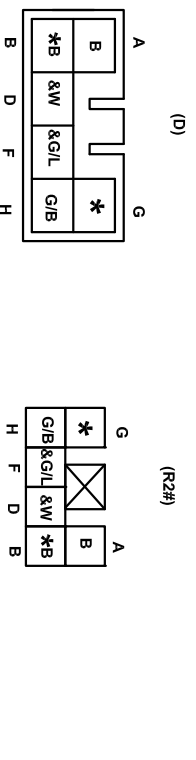


< > with AT

X-09 1# back door harness (R1#) - 2# back door harness (R2#)



X-10 Middle harness(D) - 2# back door harness (R2#)

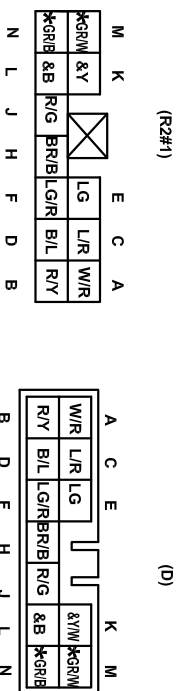


# Common connector list (1.8T)

X-3

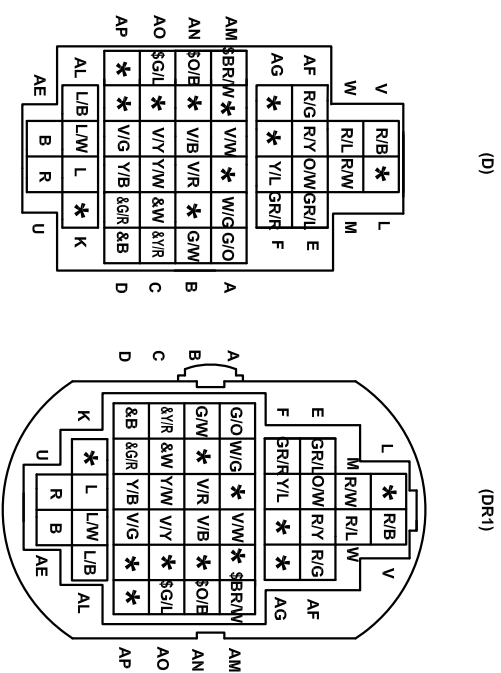
X-11 2# back door harness (R2#1) -Middle harness (D)

\* with reversing camera  
& with 360° imaging system



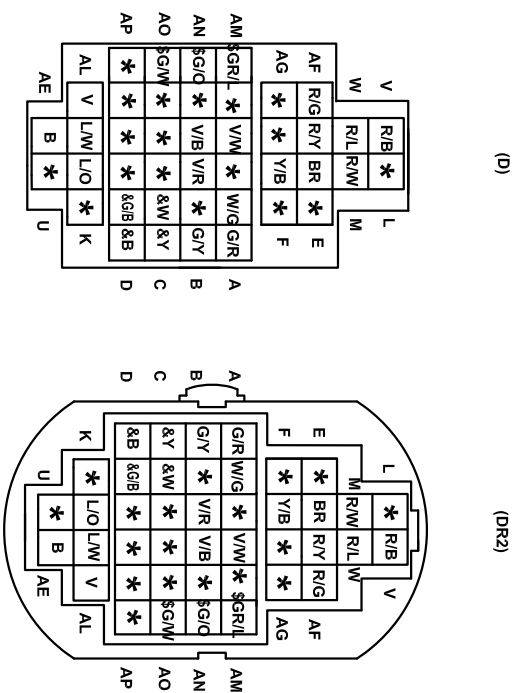
X-12 Middle harness (D) -Front door harness (DR1)

\$ with PEPS  
& with 360° imaging system



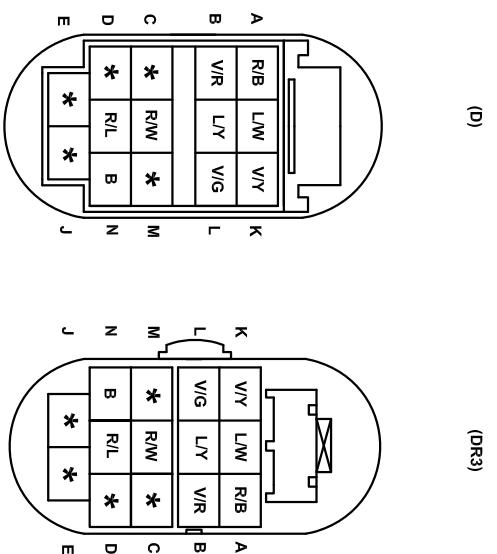
X-13 Middle harness (D) - Front door harness (DR2)

\$ with PEPS  
& with 360° imaging system



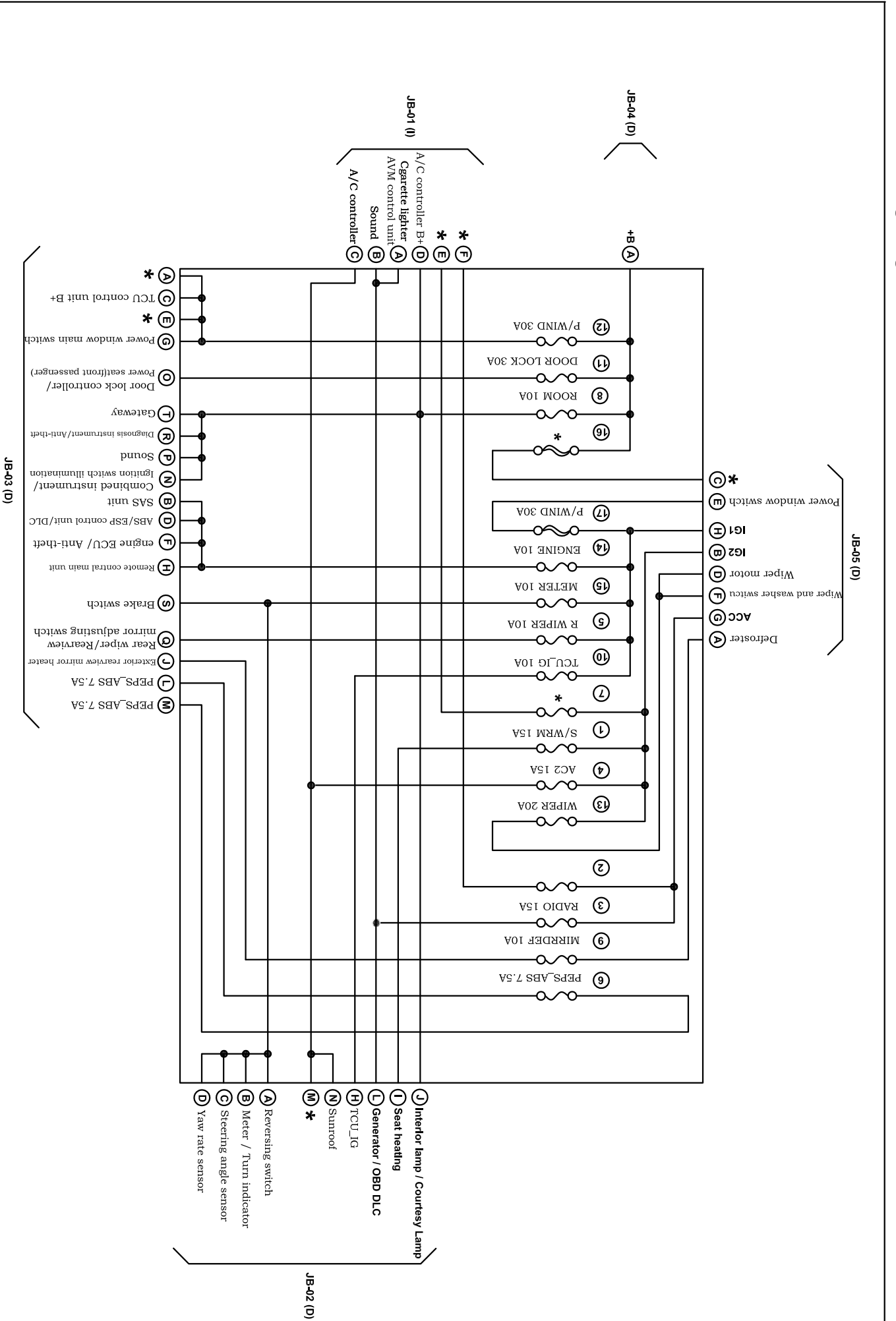
X-14 Middle harness (D) -Rear left door harness (DR3)

\$ with PEPS  
& with 360° imaging system

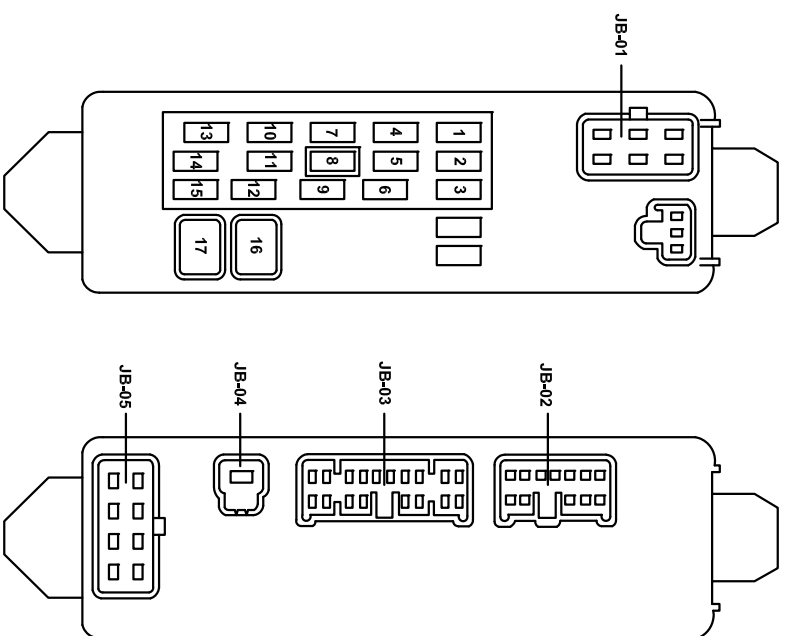
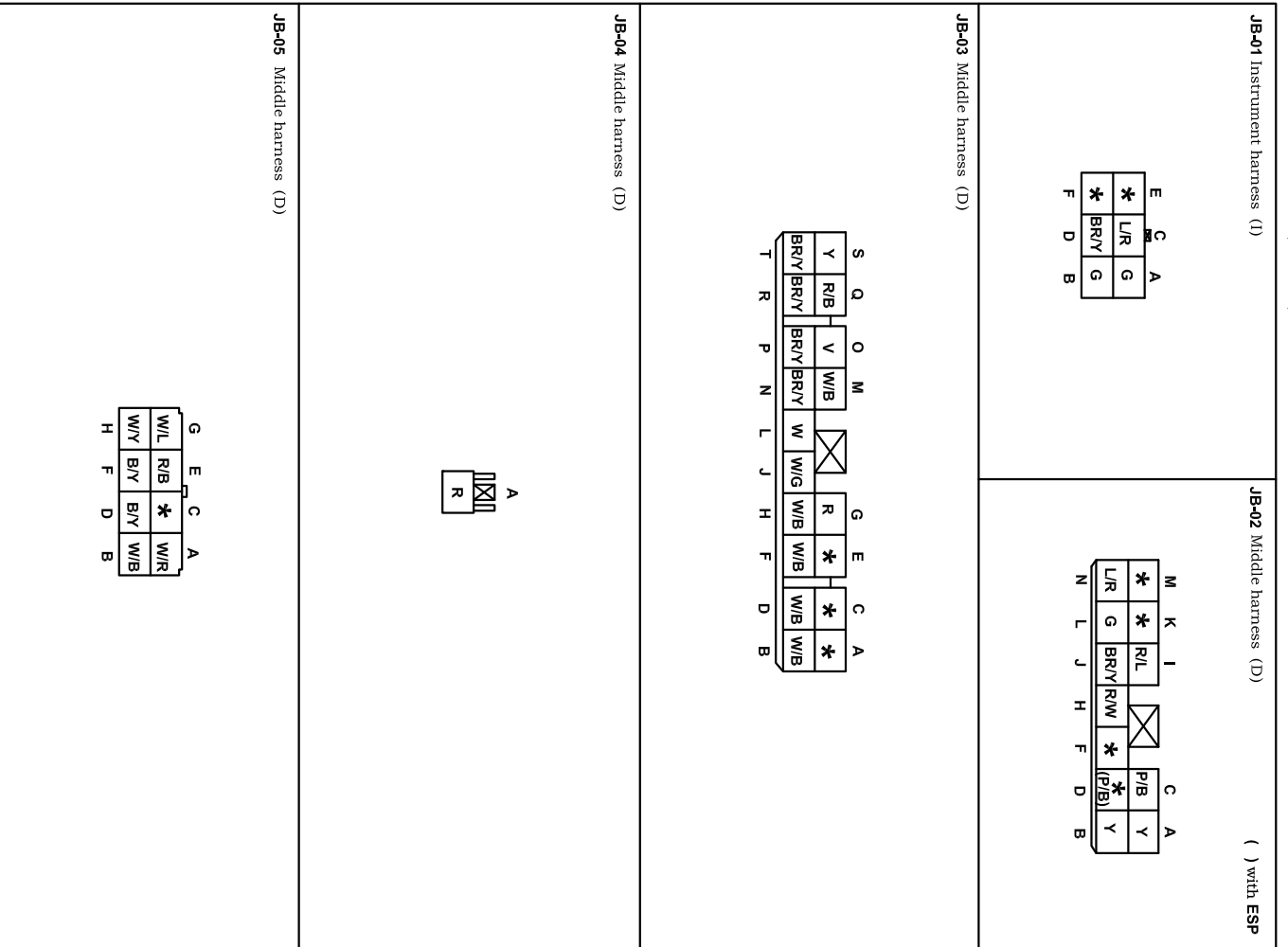


# Common connector list (1.8T)

<p><b>X-15</b> Middle harness (D) -Rear right door harness (DR4)</p> <p>(D)</p> <p>(DR4)</p>	<p><b>X-16</b> Middle harness (D) - Reversing radar harness (RA)</p> <p>(D)</p> <p>(RA)</p>
<p><b>X-17</b> Middle harness (D) -Interior harness (IN)</p> <p>(D)</p> <p>(IN)</p>	<p><b>X-19</b> Middle harness (D) -Instrument harness (I)</p> <p>(D)</p> <p>(I)</p>
<p><b>X-21</b> Middle harness (D) -Instrument harness (I)</p> <p>(D)</p> <p>(I)</p>	<p><b>X-22</b> Instrument harness (I) -Front harness (F)</p> <p>(I)</p> <p>(F)</p>
<p><b>X-23</b> Engine harness (E) -EM harness (EM)</p> <p>(E)</p> <p>(EM)</p>	<p><b>X-20</b> Middle harness (D) -Instrument harness (I)</p> <p>(D)</p> <p>(I)</p>



Junction box (1.8T)



No.	Fuse name	Fuse	No.	Fuse name	Fuse
1	S/W/RM	15A	10	TCU	10A
2	---	20A	11	DOOR LOCK	30A
3	RADIO	15A	12	P/WIND	30A
4	AC 2	15A	13	WIPER	20A
5	R WIPER	10A	14	ENGINE	10A
6	PEPS_ABS	7.5A	15	METER	10A
7	---	---	16	---	---
8	ROOM	10A	17	P/WIND	30A
9	MIRRDEF	10A			